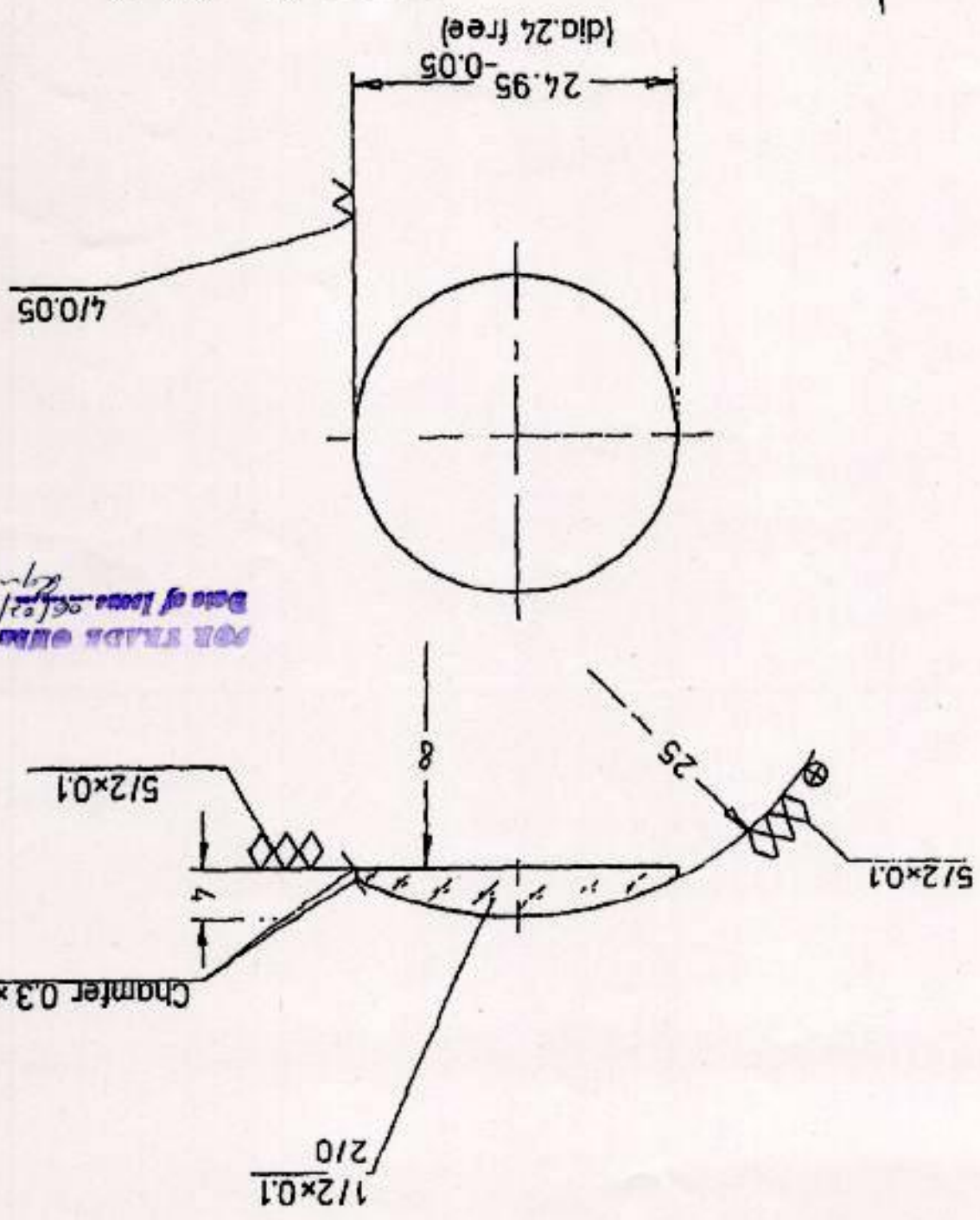


Für diese Zeichnung beauftragt man und überträgt Rechte von DRG. YETTED BYOMI - *Handwritten Signature* - D.C. 2423-I(P), 2750-IT(P).

Project Europ	PKV 24.95/ 43.95
Scale Maßstab	2:1
Unit Einheit	mm
Material Material	Bak 4-569561
Norm	
Gez Gez	20.8%
Gez Gez	43.43
Name	Chr. Beck & Söhne KG
Name	Kassel
Folien aus 20er Folien zu 900 Nach dem Folienzug 900 701	
CBS DRG. No.	CA(1)-793/8
GF	235129F

AMENDMENTS	
DRG. NO. AMENDED	1/8/6.12.11
D.C. 2423-I(P)	1/8/6.12.11
DRG. PROV. SEALED	1/8/6.12.11
CHG. DATE	18.07

S.H. = 0
SH = 2.550
f = 43.95

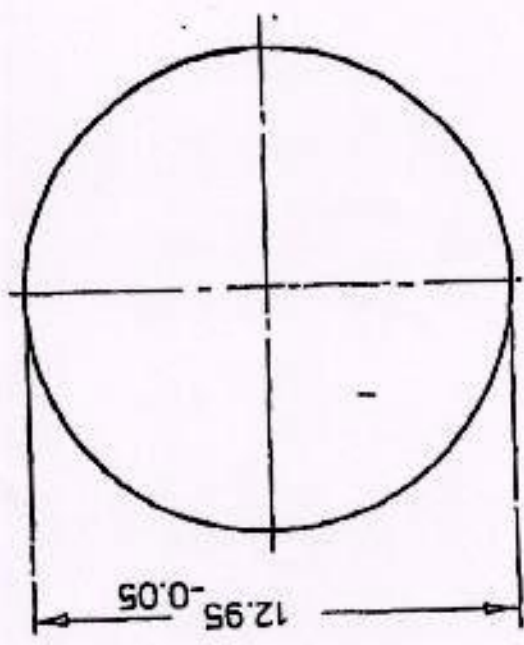


(5)

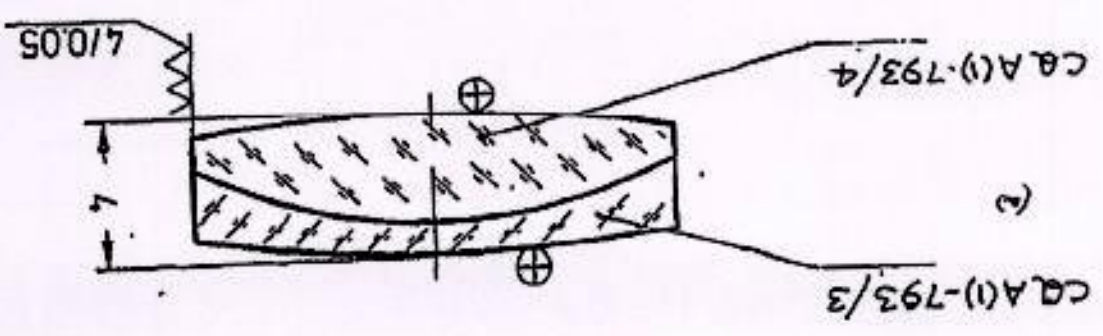
D.R.G. VITTED RV AMI: - 2750-ITP) D.C.I-2423-IT(P) 2750-ITP)

Project Equip		Achromat 12.95/42.19	
Scale	5:1	DRG No.	235149F
Norm	30.836	CA A(1)-793/5A-7	
Titulum	14.10	Chr Beck & Söhne KG	
Norm	14.10	Kassel	
Scale	mm	DRG No.	235149F
Scale	mm	CA A(1)-793/5A-7	
Scale	mm	Chr Beck & Söhne KG	
Scale	mm	Kassel	
Scale	mm	±0.1	

Cement with cellulose caprate



f = 42.19



DRG. NO. 2750-ITP)	
DRG. Nos. AMENDED APPROVAL	
D.C.I-2423-IT(P)	
DRG. PROV. SHEETED	
AMENDMENTS	

FOR TRADE MARK
Date of issue: 12/11/54

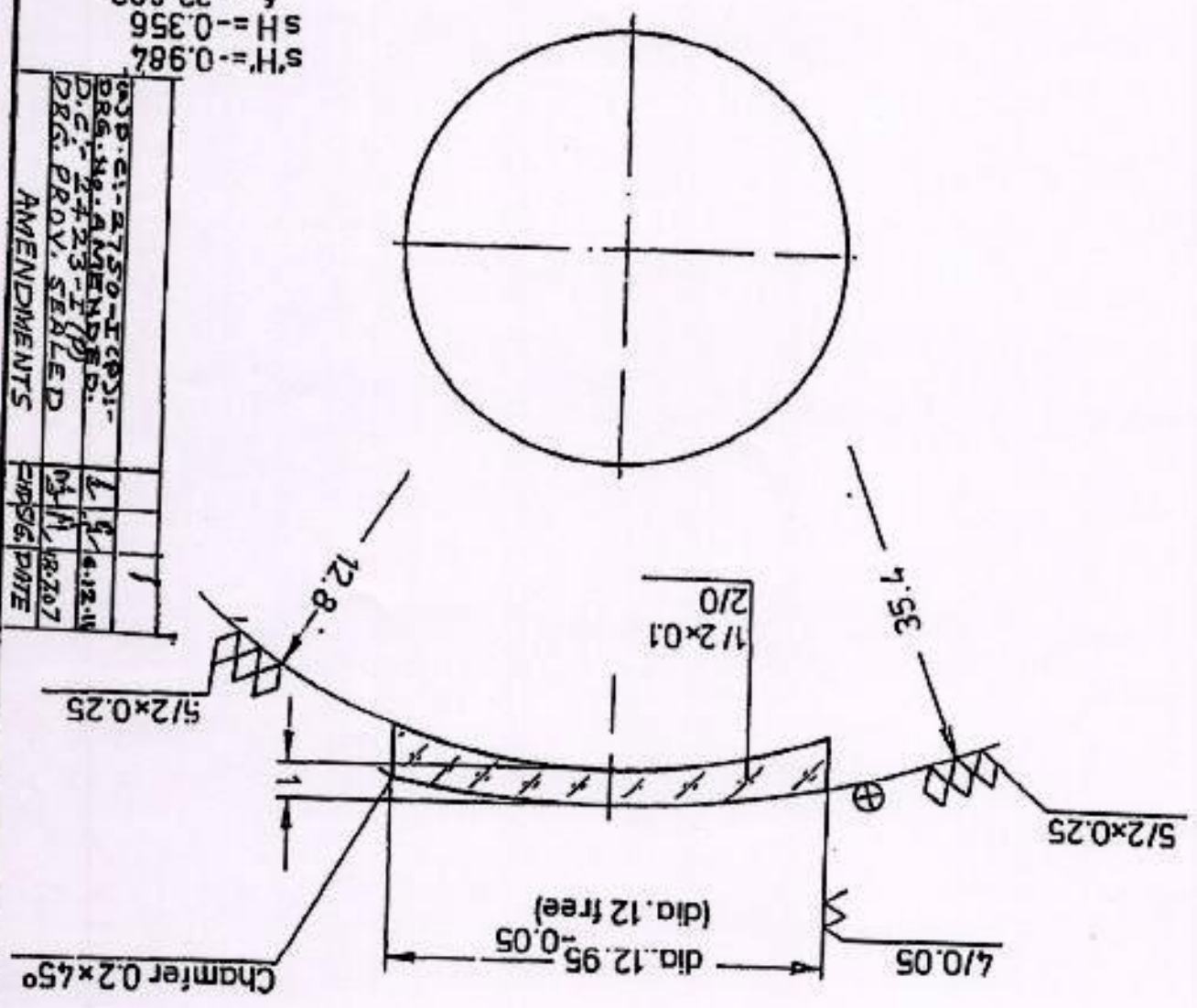
Für diese Zeichnung bestehen nur zwei alte Zeichnungen: T.R. & VETTERBY QM1, B1 D.C.I.-2423-I (P), 2750-I (P).

Project Europ		KVK 12.95/-32.893	
Scale 5:1	mm	F2-620364	
Section Einhell	Material Wehrstoff	DRG. No. CBA(1)-793/3	
Norm	Unit	DRG. No. (A)	
Gepr 48.9%	Gepr 48.9%	Chr Beck & Söhne KG	
Gepr 48.9%	Gepr 48.9%	Kassel	
Gepr 48.9%	Gepr 48.9%	f01	
Gepr 48.9%	Gepr 48.9%	Folienbeschriftung Hochdruck-Folien... 798	

Article No. F1312-410440

S.H. = -0.984
SH = -0.356
f = -32.893

DRG. C.I.-2750-I (P) 1-	1	1
DRG. M.G.-ANGEBOT D.	1	1
D.C.I.-2423-I (P)	1	1
DRG. PROV. SEILED	1	1
AMENDMENTS	1	1
CHP/SG. DATE	1	1



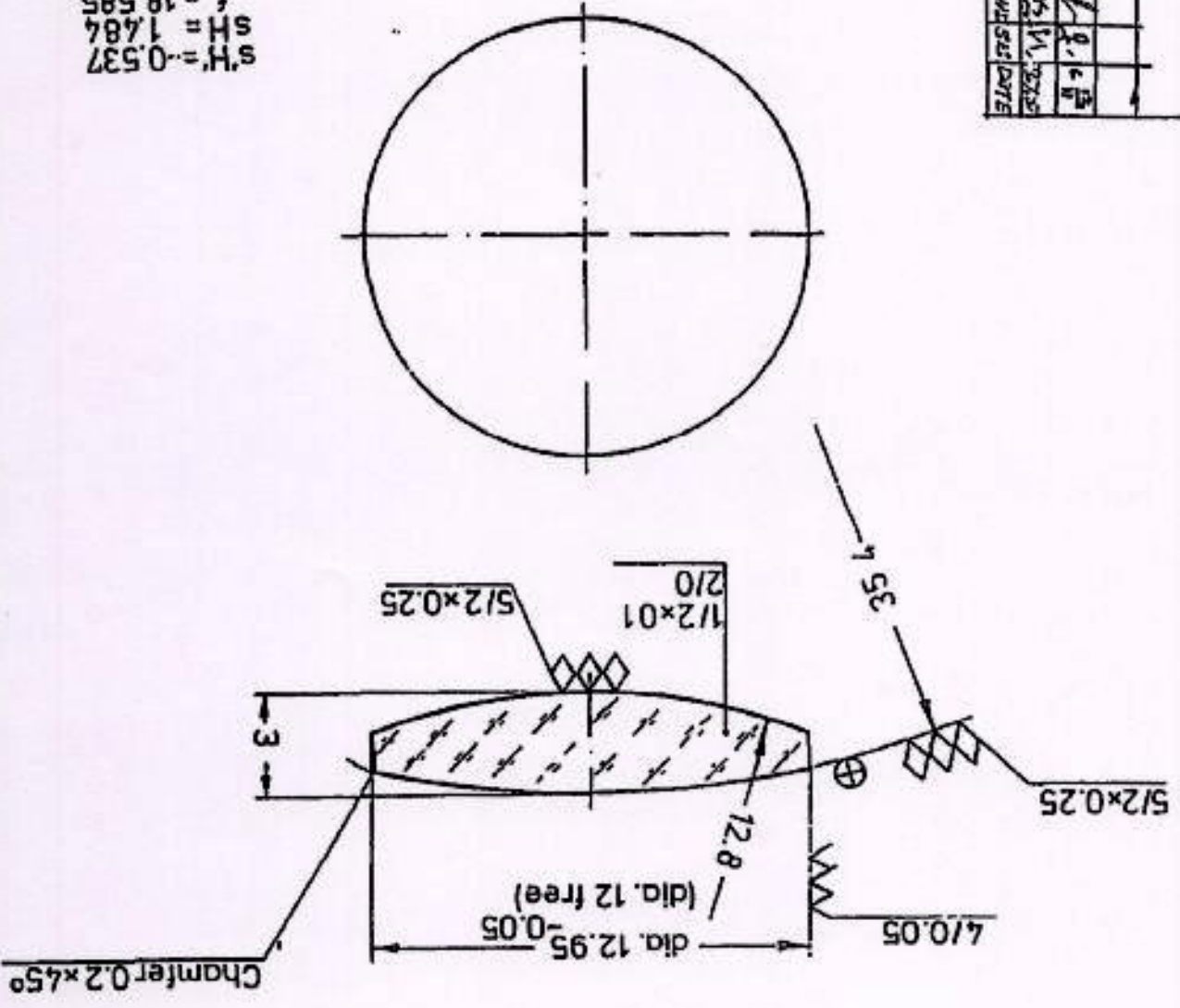
DIN READS WHEN
Date of Issue: 02/07/13

DRG-Nr. 2750-II (P)	1	8.6.5
DRG-Nr. AMENDED	1	11.1.1984
DRG-Nr. 2423-I (P)	1	11.1.1984
DRG-Nr. PROV. GEBL. 2D	1	11.1.1984
AMENDMENTS		
DATE		

Project Group	BKV12.95/ 18.585
Scale	5:1
Unit	mm
Material	BK7-517642
Manufacturer	Chr. Beck & Söhne KG
Part	Kassel
Material	4
Quantity	16.976
Name	
Form	
Norm	
GF	235116F
DRG. No.	CA(A1)-793/4
Surface treatment	±0.1

Article No. F1312-410450

S.H. = -0.537
 S.H. = 1.484
 f = 18.585



POLYTRON 0111
 Date of issue: 06/02/13
 Date of issue: 06/02/13

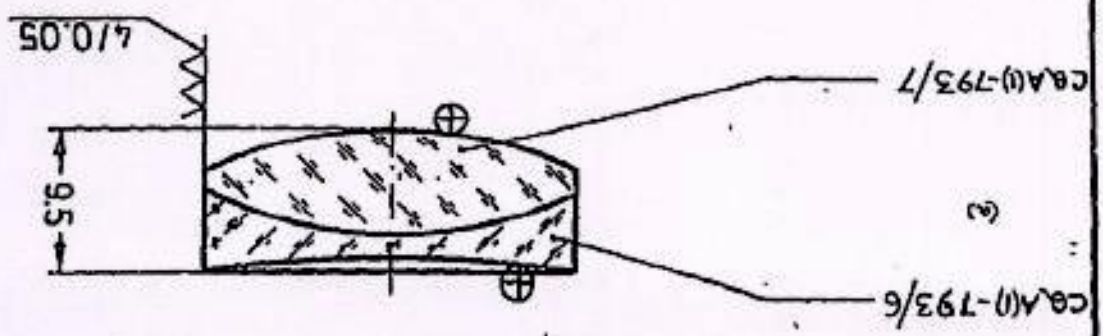
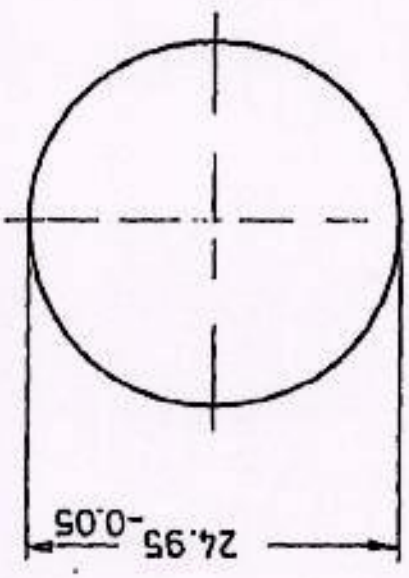
Für diese Zeichnung übernommen am 01.07.2014 von DRG. VETTER/BVBA/1-1 D.C.I.-2423-I(P), 2750-I(P).

Project Europ		Achromat 24.95/83.407	
Scale Maßstab	mm Einheit	2:1	
Norm	Gez	2750	
Gepr	18.10	G	
Name	Chr Beck & Söhne KG	Kassel	
Material		±0.1	
DRG No.		CA(1)-793/5A-10	
GF		235126F	
Supers		Exakte Nr	

AMENDMENTS			
DRG. NO.	DATE	BY	DESCRIPTION
2750-I(P)	6-12-11	SM	DRG. NO. AMENDED
2423-I(P)		SM	DRG. PROV. SEALED

Cement with cellulose caprate

f=83.407



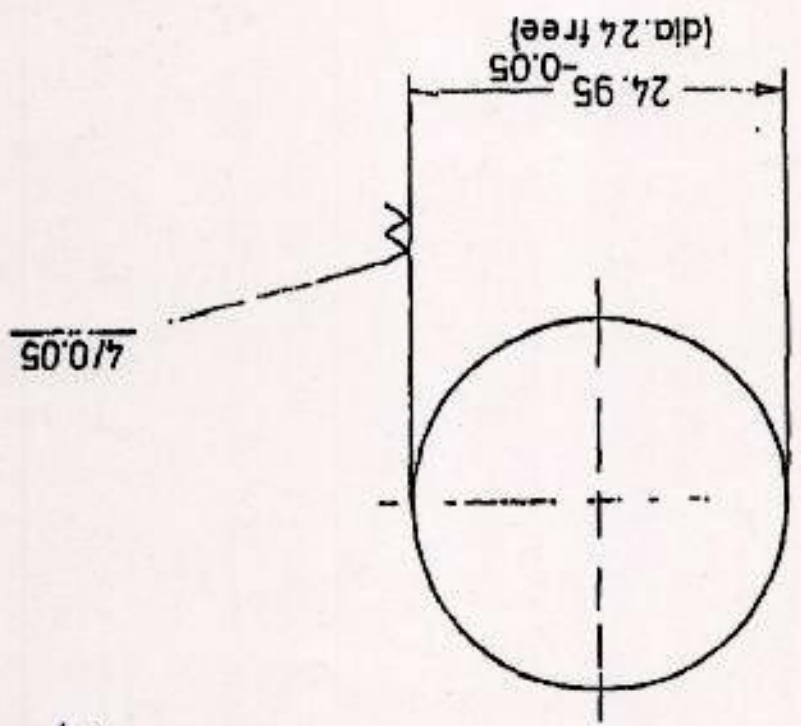
FOR READER USE
 Date of Issue: 06/02/12
 201

Für diese Zeichnung zeichneten wir uns die Rechte aus DRG. VET 750 RV DM 11 D.C.: - 24 23 - I (P), 2750 - I (P).

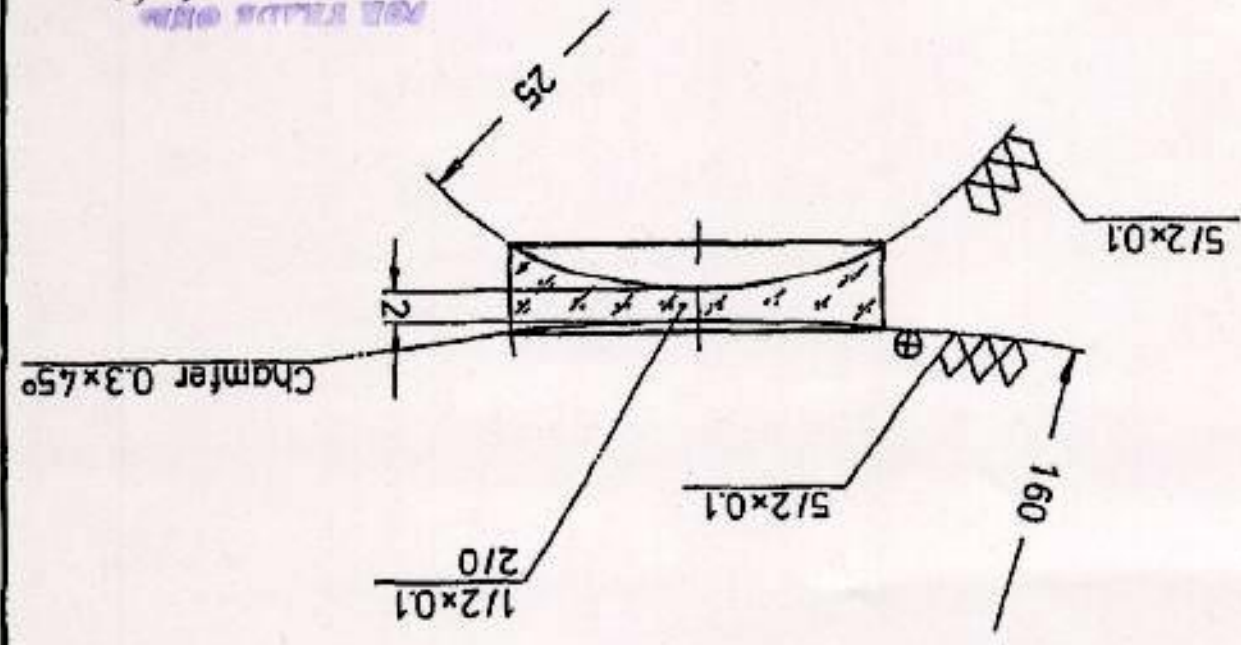
(a) D.C.: 2750 - I (P):	L 9	6 1/2
DRG. No. AMENDED.	1/2	1/2
D.C.: - 24 23 - I (P)	18 3/4	
DRG. PROV. SEAL ED	21 3/4	
AMENDMENTS		

Project Europ	BKK 24.95/-28.498
Scale 2:1	SF 4-755276
Unit mm	
Material Einheit	
Norm	
Ger 20.978	
Datum 1/4	
Name Chr Beck & Söhne KG	
	Kassel
	FC:
	CBS DRG No.
	CA(1)-793/6
	GF
	235128F

Article No F1312-410460
 s.H. = -0.981
 s.H. = 0.153
 f = -28.498



NOT VALID FOR
 Bldg of Lamm. 06/07/11
 1/2/11



Für diese Zeichnung behält der Herr alle Rechte vor. DRG. VETTED BY AM-113 - D.E. 3423-I(P), 2750-I(P)

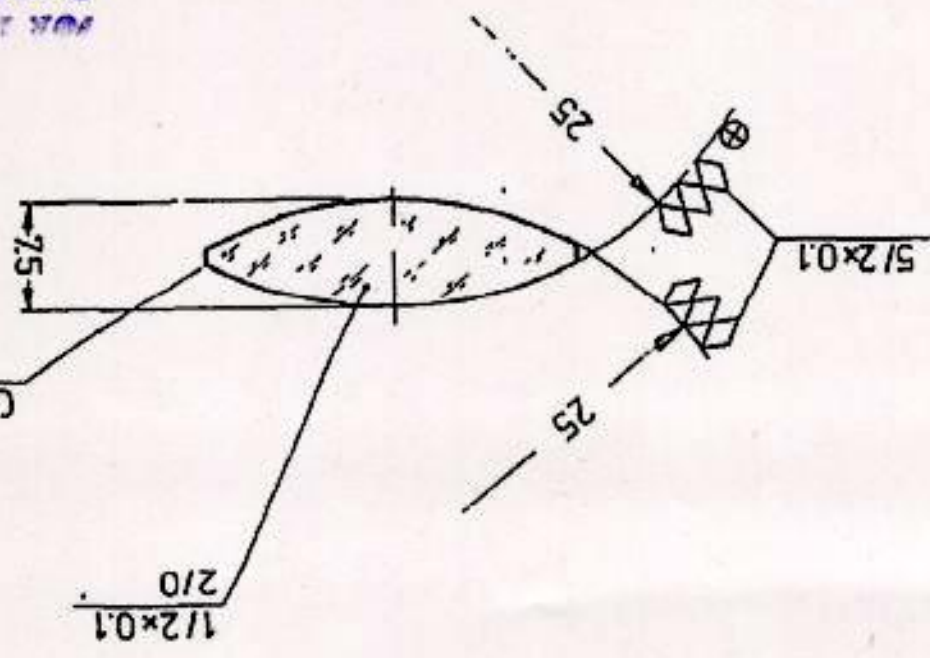
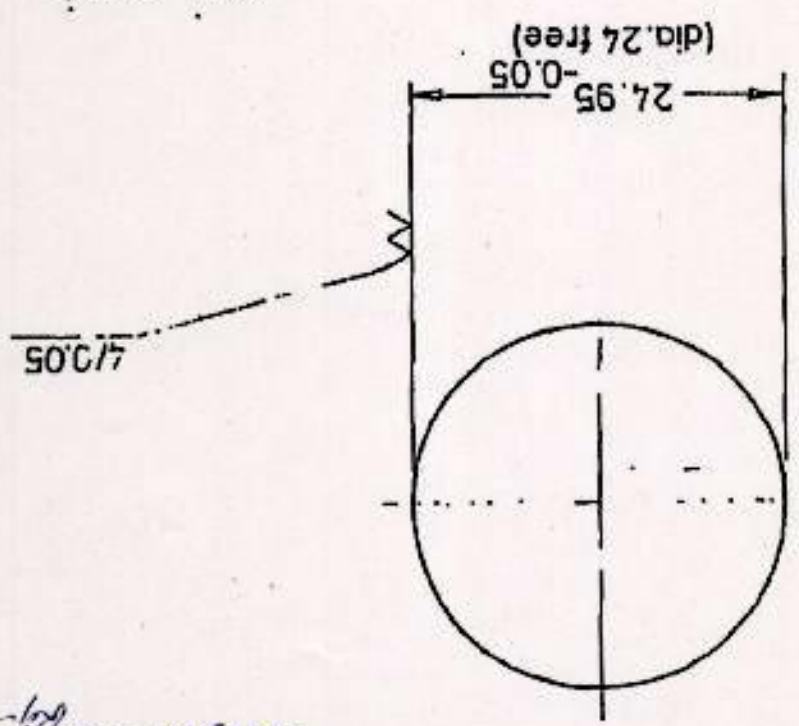
ORD. C.: 2750-I(P)-DRG. No. AMENDED
 D.E. 3423-I(P)
 DRG. PROJ. SEALED

AMENDMENTS

NO.	DATE	DESCRIPTION
1	11.2.11	BY H. WENZ
2		BY H. WENZ
3		BY H. WENZ

Project	BKV 24.95 / 23.239
Scale	2:1
Material	BK 4-569561
Manufacturer	Chr. Beck & Söhne KG
Order No.	235127F
Order Date	23.239
Order No.	235127F
Order Date	23.239

Article No. F1312-410470
 SH = -2.528
 SH = 2.528
 f = 23.239



FOR INKING
 Date of Issue: 11/11

Conelet 0.3 x 45°

1/2 x 0.1

7.5

25

25

4/0.05

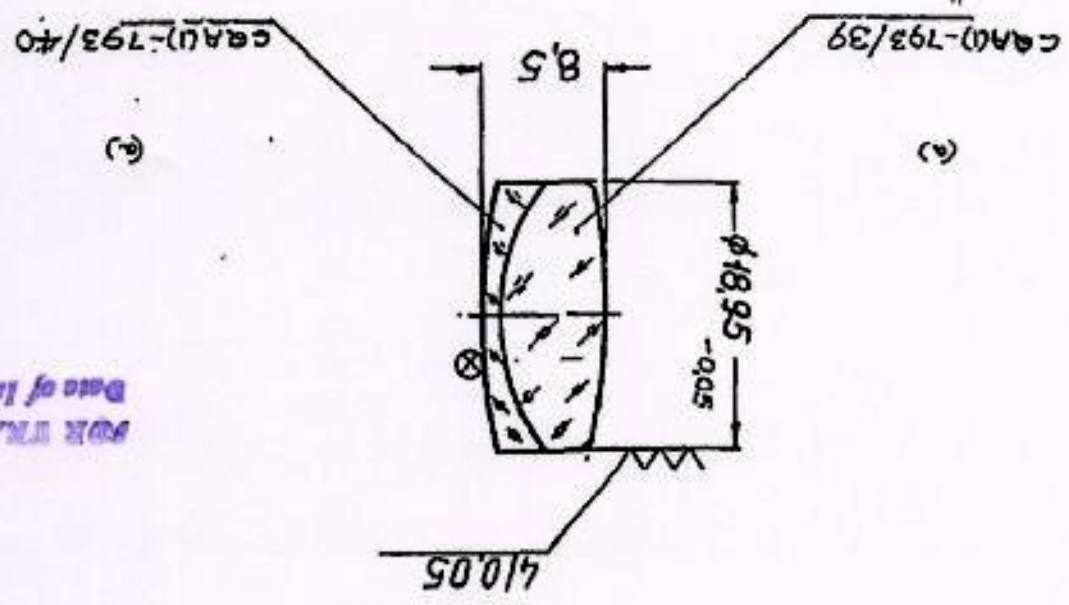
(2)

DRG. VETTED BY R.M.: *AMW* D.C. - 2423-T(P), 2750-ICP.

2:1 Vergrößerung Chr. Beck & Söhne KG Kassel		Die wesentlichen Bauzüge sind durch die Beschriftung mit den Maßangaben und den Maßstab 2:1 dargestellt.	
		1972 Tag/Date Nam/Dgn Ersatz für/Replaces Org. No. CAA(U)-793/5A-9	1950 Jahr/Year 1950 Jahr/Year CAA(U)-793/5A-9
D. 18.95/43,41 Achromat 18.95/48.1 Achromatic lens	1950 Jahr/Year 1950 Jahr/Year CAA(U)-793/5A-9	1972 Tag/Date Nam/Dgn Ersatz für/Replaces Org. No. CAA(U)-793/5A-9	1950 Jahr/Year 1950 Jahr/Year CAA(U)-793/5A-9

F1312-410370 F
 Kitt mit Cellulose, Capratel/Cement with cellulose caprate
 f = 48.4
 s = 45.5

AMENDMENTS		
DRG. NO.	DATE	DESCRIPTION
(2) D.C. - 2750-ICP1-		
DRG. Nos. AMENDED/REVISED	6.12.11	J. G.
D.C. - 2423-T(P)	18.7.07	M.
DRG. PROV. SEALED		



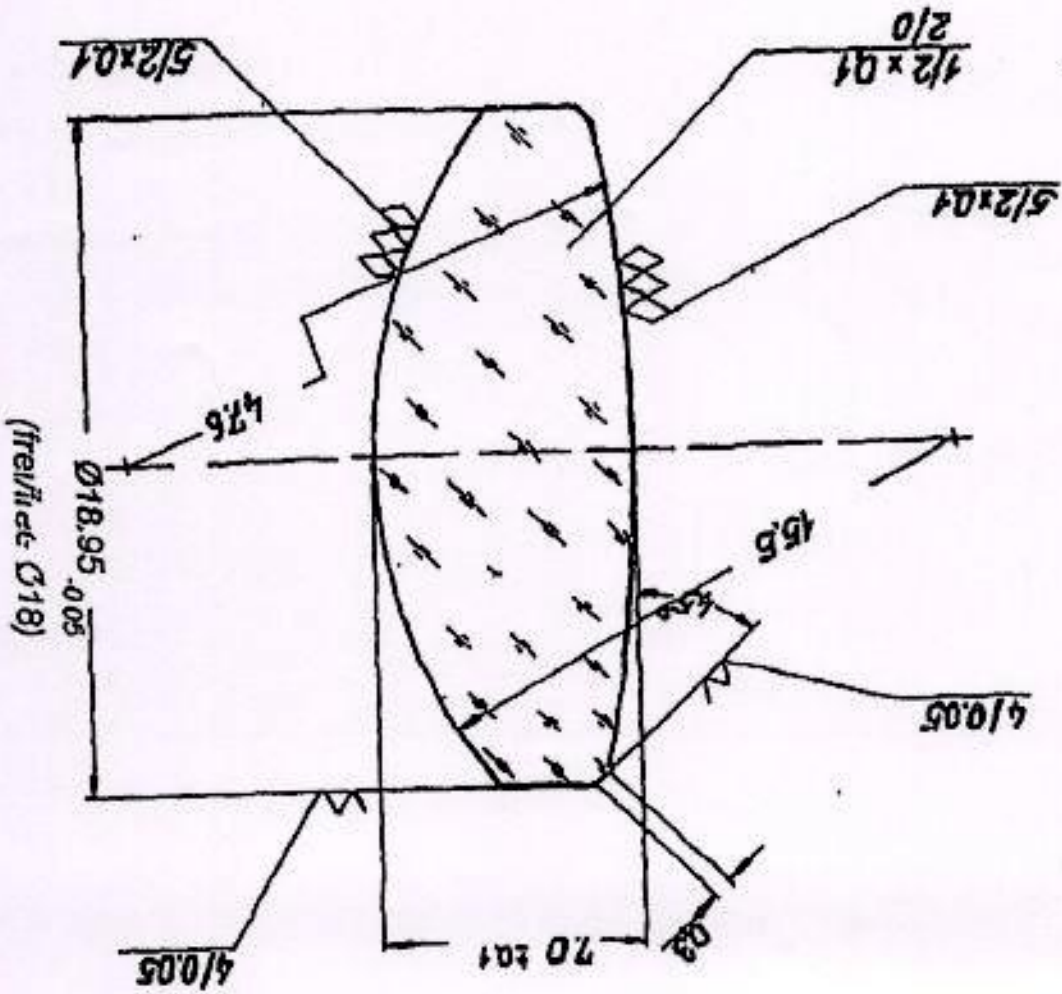
FOR TRADE MARK
 Date of Issue: 5/10/11

DRG. VETTED BY DM-1-107

D.C.I. - 2423-1(P), 2750-1(P)

5:1		SK 11-564 608		Chr. Beck & Söhne KG Kassel	
BKV 18.5/21.6/ Lens BKV 18.95/21.6		1972		1972	
DRG No. CA A(V)-793/39		19 Sop		1972	
F1312 410380 F		1972		1972	

AMENDMENTS	CHD SIG	DATE
DRG. PROV. SEALED	H	18.207
D.C.I. - 2423-1(P)	H	6.12.11
ORG. NO. AMENDED		
(D.C.I. - 2750-1(P))		



FOR TRADE ONLY
Date of issue 22/10/11

=116

F1312 410380 F

DRG No. CA A(V)-793/39

1-018

1972

1972

1972

1972

1972

1972

1972

1972

1972

1972

1972

1972

1972

1972

1972

1972

1972

1972

1972

1972

1972

1972

1972

1972

1972

1972

1972

1972

1972

1972

1972

1972

1972

1972

1972

1972

1972

1972

1972

1972

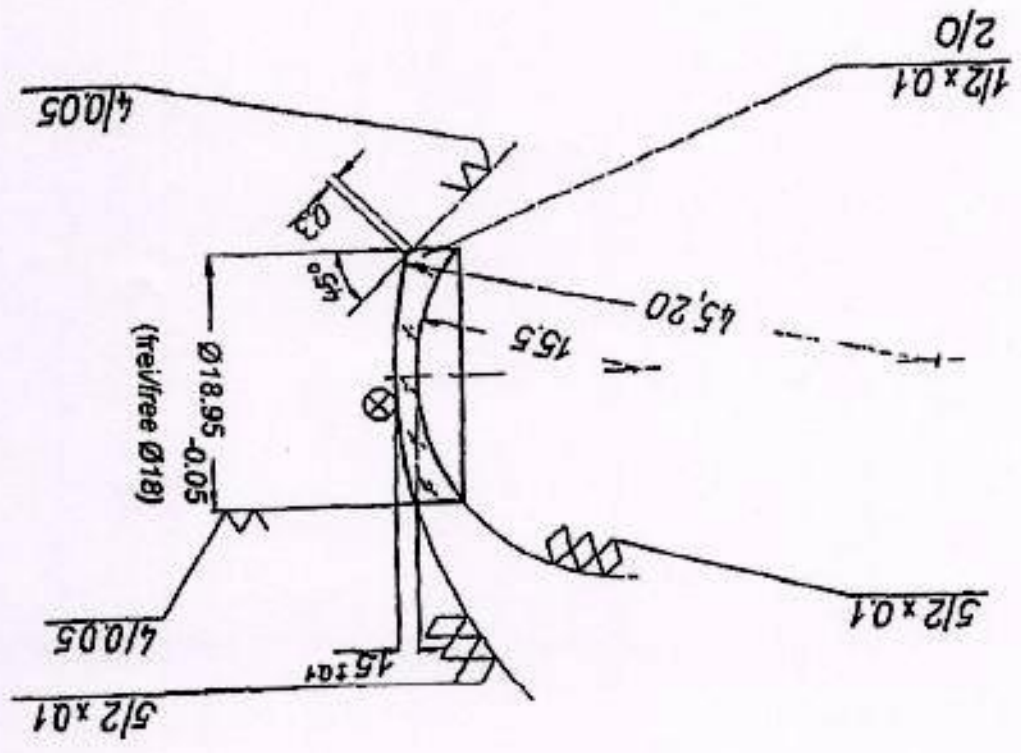
1972

1972

DRG. VETTEDRY AM. D.C.I.-2423-I(P), 2750-2(P).

2:1		F6-636 353		1972	
KVK 18.95/37.81 Lens KVK 18.95/37.81		19 Sep		1972	
CGA10-793/40		1972		1972	
DRG. No.		1972		1972	
F1312-410390 F		1972		1972	
F=37.81		1972		1972	
FOR TRADE ONLY Date of Issue 05/02/13		1972		1972	

AMENDMENTS		CHG DATE
DRG. NO. AMENDED.	DRG. PROV. SEALED	
D.C.I.-2423-I(P)		18.7.07
D.C.I.-2750-2(P)		6.12.11



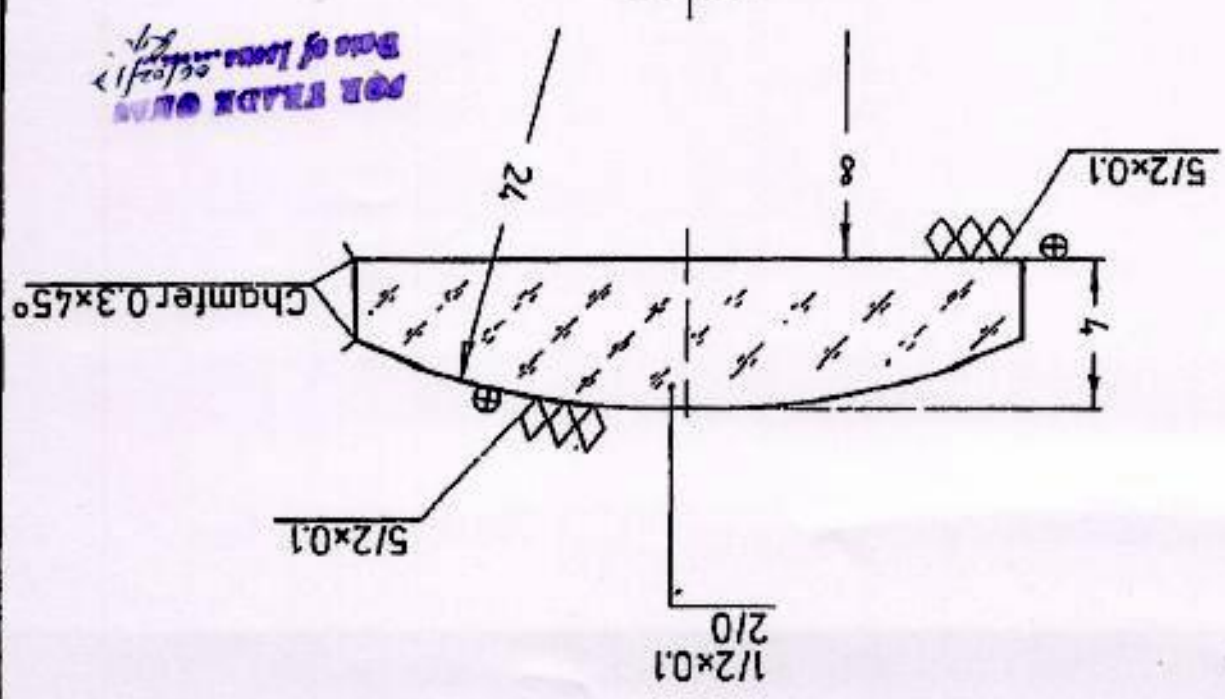
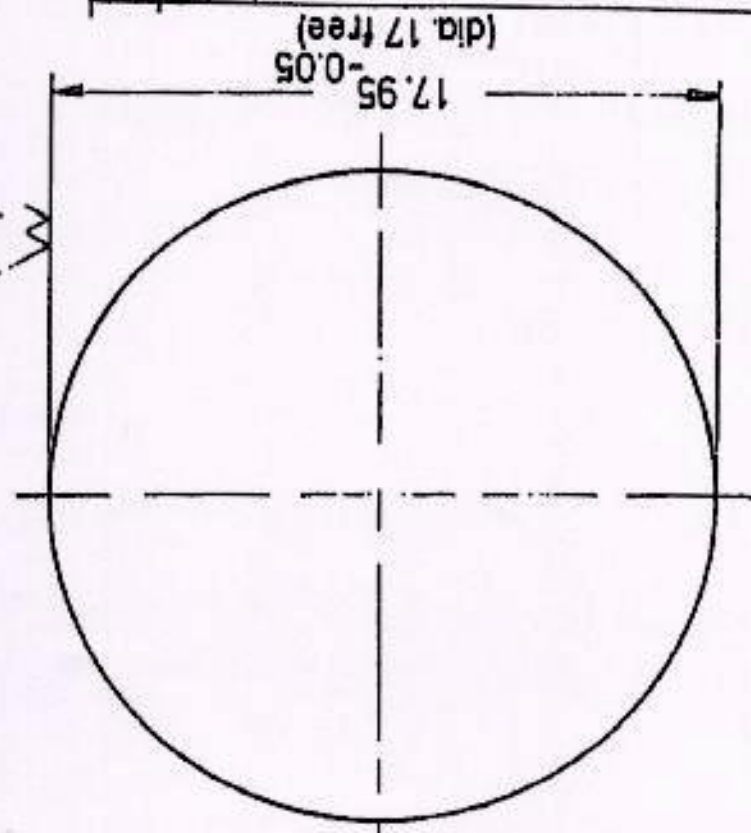
(2)

D.C.I.-2423-T(P), 2750-2(P)
 REVISED BY: *AA*

Project Equip	PKV 17.95/46.44
Scale	5:1
Material	BK 7-517642
Contractor	Chr Beck & Söhne KG Kassel
Drawn	2082
Checked	23.03
Project No.	235121F
Drawn No.	CAA(1)-793/5
Contract No.	CBS DRG No.

AMENDMENTS	
DRG. NO. AMENDED:	1/5-6-12-11
D.C.I. 2423-1(P)	1/5-6-12-11
DRG. NO. AMENDED:	1/5-6-12-11
D.C.I. 2423-1(P)	1/5-6-12-11
DRG. NO. AMENDED:	1/5-6-12-11
D.C.I. 2423-1(P)	1/5-6-12-11

S.H. = 2.537
 S.H. = 0
 f = 46.44

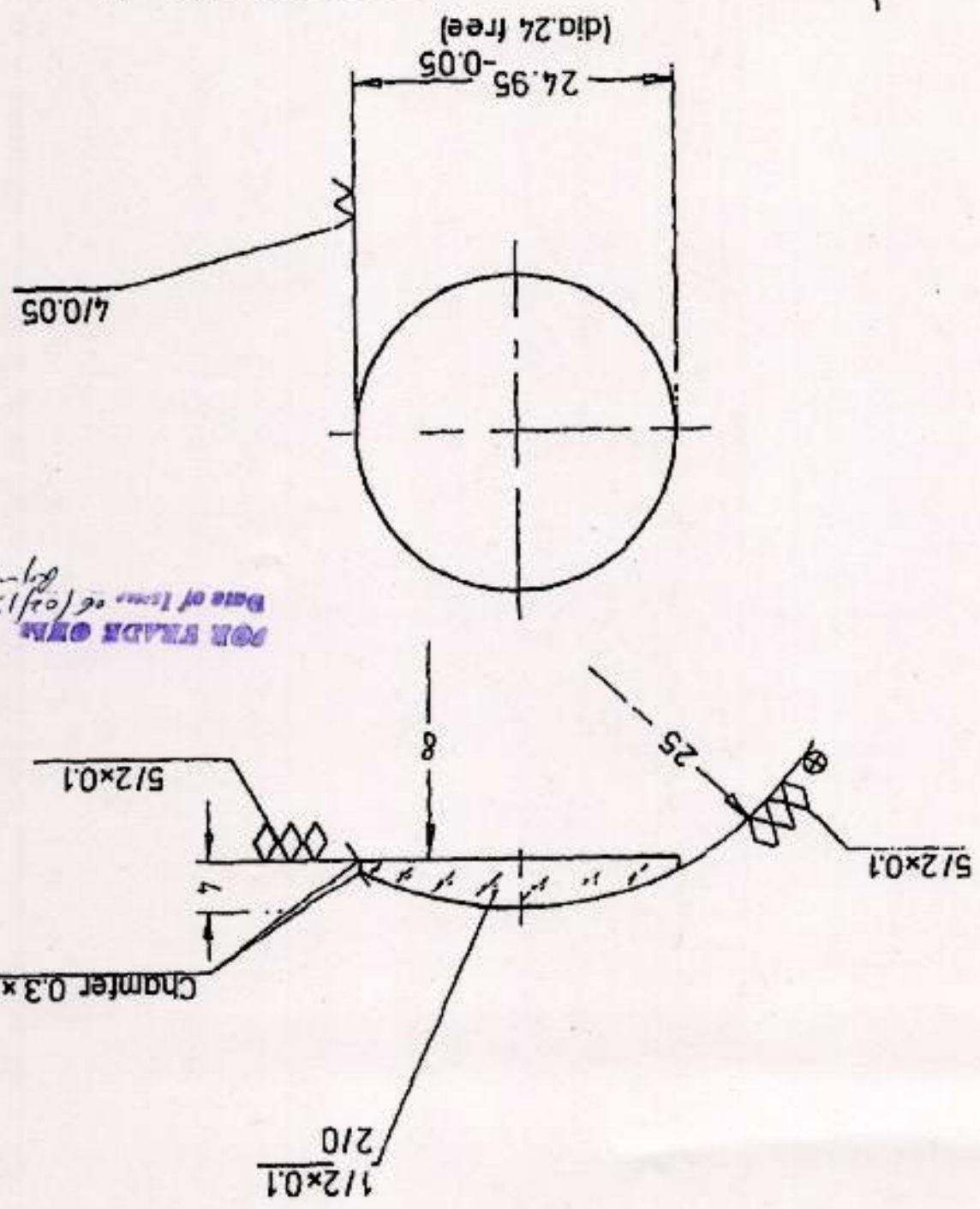


Für diese Zeichnung behalten wir uns alle Rechte vor DRG. VETTED BYOMI - *Av* - D.C.I- 2423-I(P), 2750-IT(P).

Project Europ		PKV 27.95/ 43.95	
Scale Maßstab	2:1	Unit Einheit	mm
Norm		Version Version	BAK 4-569561
Gap Spalt	0.30	Name Name	Chr. Beck & Söhne KG
Date Datum	20.08.06	Address Adresse	Kassel
Drawn Gezeichnet	4	Reference Referenz	±0.1
Formances unless otherwise stated Maße ohne Formanzugebe		CBS DRG No. CAALD-793/8	
GF 235129F		PKV 27.95/ 43.95	

AMENDMENTS	DATE	BY	REASON
DRG. NO. AMENDED	18.07.07	AV	FOR HEADS ONM
D.C. - 2423-I(P)			
DRG. PROV. SEALED			

S.H. = 0
 SH = 2.550
 f = 43.95

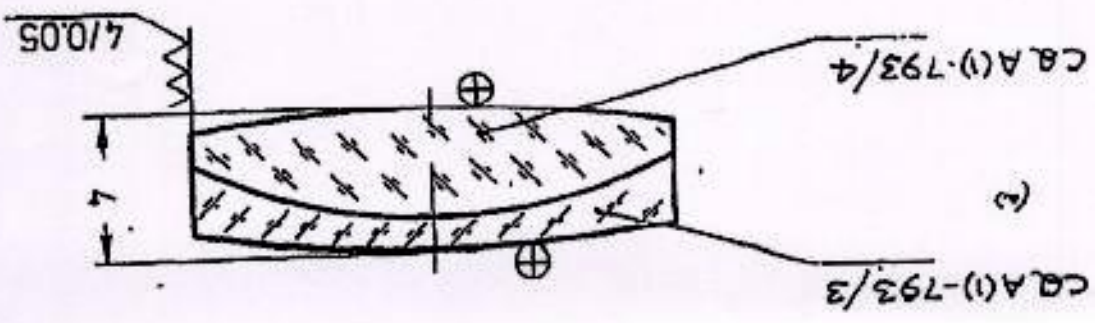
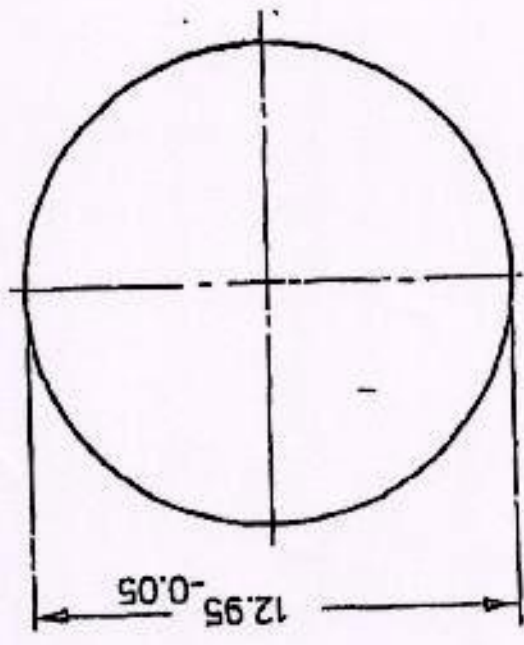


(3)

D.G. 2423-2(P), 2750-3(E)

Project Euzoj	mm	Scale Kontroll Entwurf	Material Werkstoff	Proj. No. 12.95/42.19
5:1				
Norm DIN 1026	12.10			
Gez. Gepr.				
Name Firma	Chr Beck & Söhne KG	Kassel		
Gez. Gepr.				
Proj. No.	235149F			
Proj. No.	235149F			

Cement with cellulose caprate



f=42.19

DRG. No. 2423-2(P)	DRG. No. 2750-3(E)	DRG. No. 2423-1(P)	DRG. No. 2423-1(P)	DRG. No. 2423-1(P)
DRG. No. 2423-2(P)	DRG. No. 2750-3(E)	DRG. No. 2423-1(P)	DRG. No. 2423-1(P)	DRG. No. 2423-1(P)
DRG. No. 2423-2(P)	DRG. No. 2750-3(E)	DRG. No. 2423-1(P)	DRG. No. 2423-1(P)	DRG. No. 2423-1(P)
DRG. No. 2423-2(P)	DRG. No. 2750-3(E)	DRG. No. 2423-1(P)	DRG. No. 2423-1(P)	DRG. No. 2423-1(P)
DRG. No. 2423-2(P)	DRG. No. 2750-3(E)	DRG. No. 2423-1(P)	DRG. No. 2423-1(P)	DRG. No. 2423-1(P)

FOR TRADE ONLY
Date of Issue: 12/02/19
Kaj.

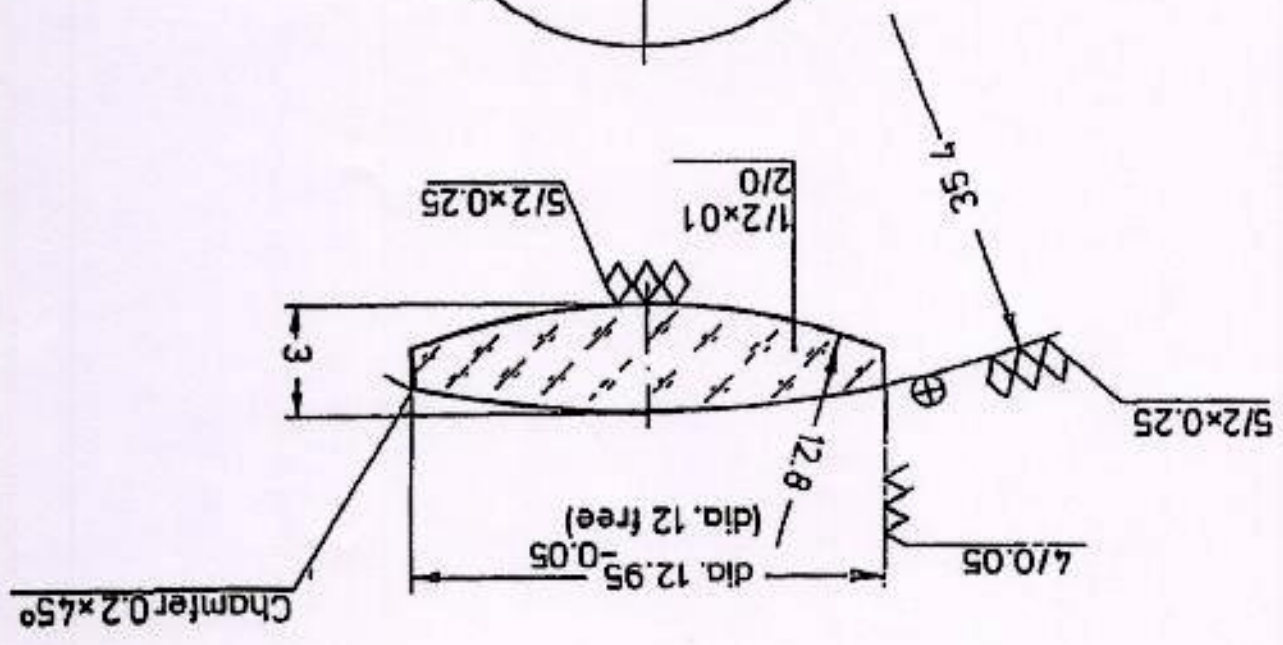
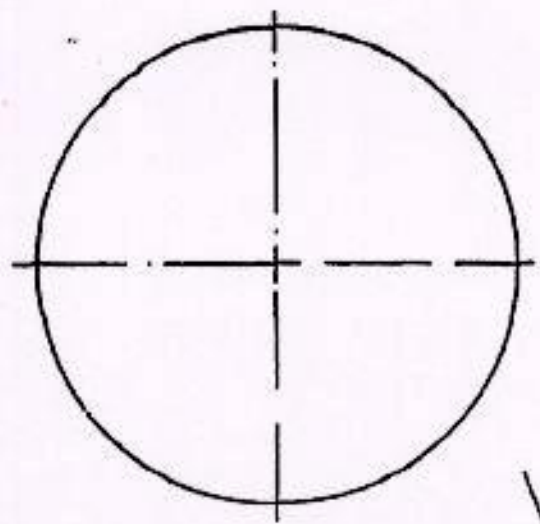
Für diese Zeichnung behalten wir uns alle Rechte vor DRG VETTERBY Am 1. 1. 1951 D.G.I.-2423-I (P), 2750-II (P).

DRG. No. AMENDED.	19.4.51
D.G.I. 2423-I (P)	19.4.51
DRG. PROV. 2750-II (P)	19.4.51
AMENDMENTS	19.4.51

Project	BKV12.95/ 18.585
Scale	5:1
Unit	mm
Material	BK7-517642
Name	Chr. Beck & Söhne KG
Gez.	46.9%
Gez.	43.4%
Norm	4
DRG. No.	CA(1)-793/4
GF	235116F
Project	BKV12.95/ 18.585

Article No. F1312-410450

S.H. = 0.537
 S.H. = 1.484
 t = 18.585



FOR TRADE ONLY
 Date of issue 1951.12.17

(3)

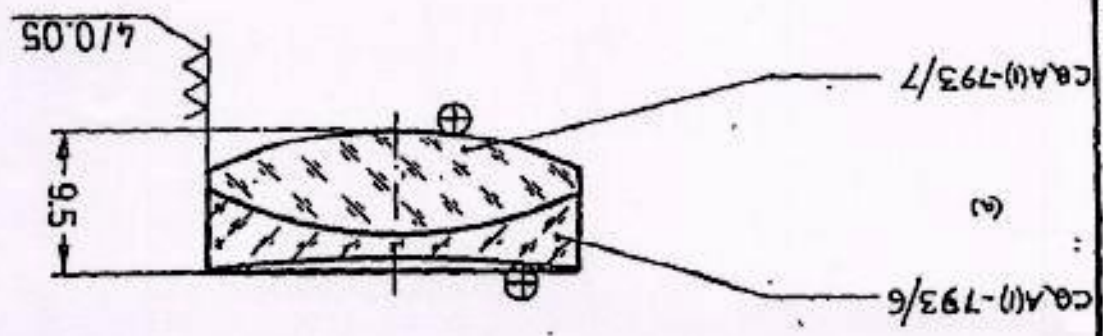
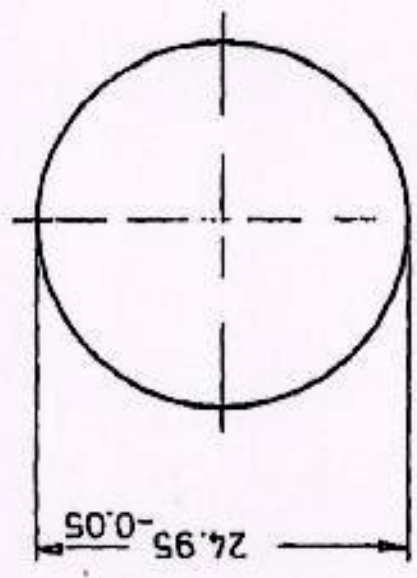
Für diese Zeichnung sind die folgenden DRG. VETTERBREMSE Nr. 1 D.C.I. - 2423-I(P), 2750-I(P)

Project Europ		Achromat 24.95/83.407	
Scale Maßstab	2:1	mm	
Sheet Blatt	18	Number Nummer	18
Drawn Gezeichnet	HR	Checked Geprüft	HR
Date Datum	28.08.78	Chr Beck & Söhne KG	
Name Name		Kassel	
Tolerance unless otherwise stated Maße ohne Toleranzangabe		±0.1	
DRG No.		CA A(1)-793/SA-10	
GF		235126F	
Subcontractor Fertiger			

AMENDMENTS		
NO	DATE	DESCRIPTION
1	6-12-11	D.C.I. - 2750-I(P)
2		D.C.I. - 2423-I(P)
3		DRG. Nos. AMENDE
4		DRG. Nos. AMENDE
5		DRG. Nos. AMENDE
6		DRG. Nos. AMENDE

Cement with cellulose caprate

f=83.407



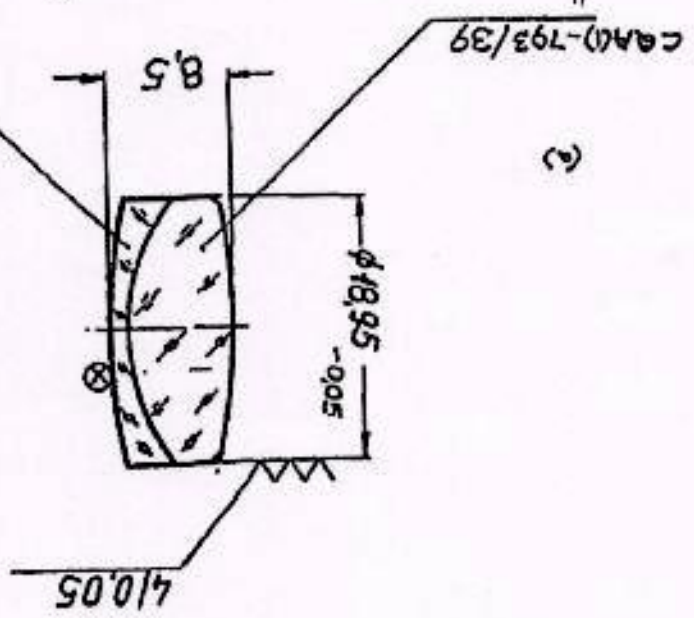
FOR TRADE ONLY
 Date of Issue: 05/02/12

DRG. VETTED BY GM: *AM* D.C. - 2423-T(P), 2750-5(P)

2:1 Achromat 18.95/43.41 Achromatic lens 18.95/48.4		1972 Tag Date 19 500 diam 19 500 diam 19 500 diam 19 500 diam 19 500 diam	Ersatz durch/Replaced by CAA(1)-793/54-9
Chr. Beck & Söhne KG Kassel	1972 Tag Date 19 500 diam 19 500 diam 19 500 diam 19 500 diam	Ersatz durch/Replaced by CAA(1)-793/54-9	Ersatz durch/Replaced by CAA(1)-793/54-9

Kitten mit cellulose caprate/Cement with cellulose caprate
 f = 48.4
 s = 45.5
 F1312-410370 F

AMENDMENTS		
CHG.	DATE	DESCRIPTION
1	6-12-11	DRG. NOS. AMENDED/REVISED
2	18-2-07	DRG. PROV. SEALED



FOR TRADE ONLY
 Date of Issue: 06/02/11
 8/11

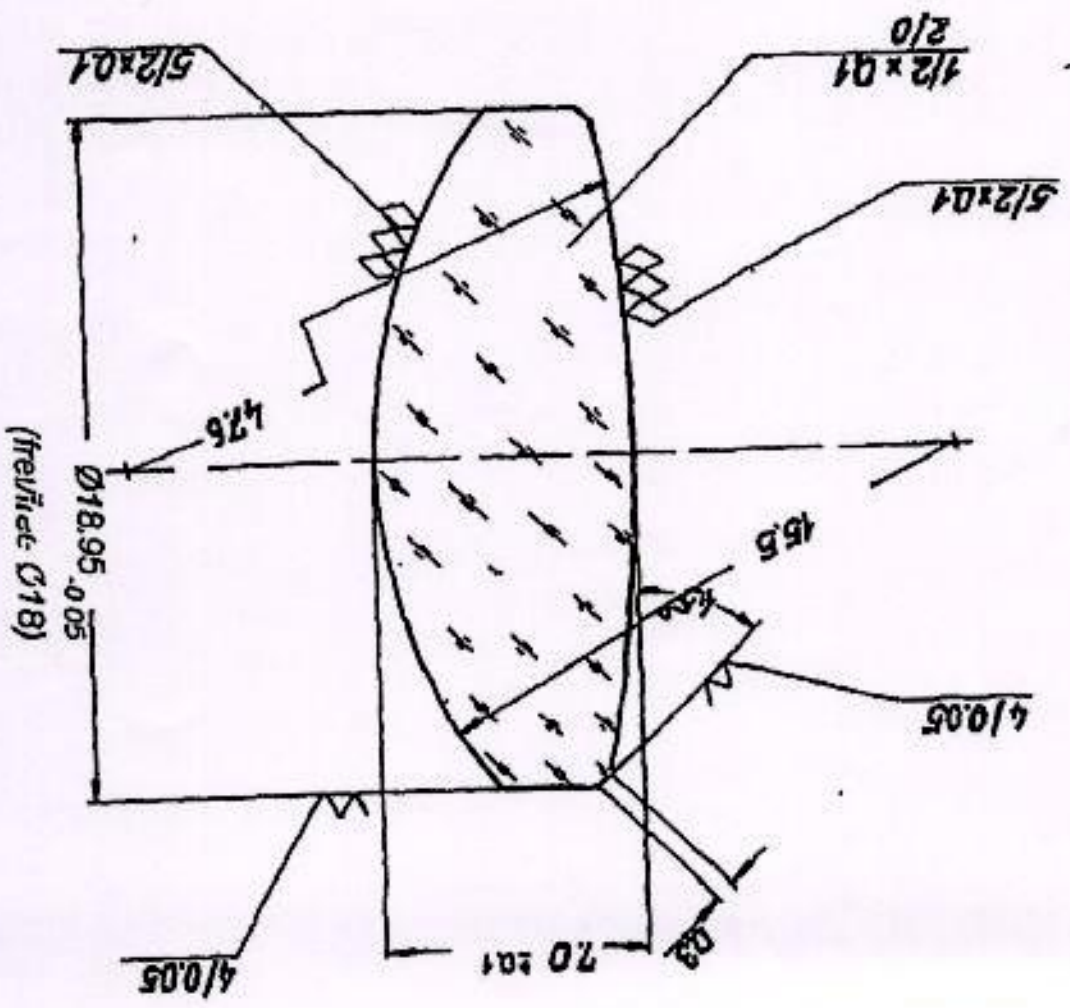
DRG. VETTED BY QM-1-297
D.C.:-2423-1(P), 2750-1(P)

5:1		SK 11-564 608		Die gezeichnete Baugruppe ist nach dem gezeichneten Maßstab 1:1 zu fertigen.	
Chr. Beck & Söhne KG Kassel		1972		Datum 19.09.00	
Dr. Beck & Söhne KG Kassel		Zeichner Lohr		Fertige durch Fertige für	
DRG. No. CA 4 (V)-793/39		Änderung/Revision 1-018		Name/Sign Name/Sign	
BKV 18.5/21.6/ Lens BKV 18.95/21.6					

AMENDMENTS

Org. No. AMENDED	6.12.11		
D.C.:-2423-1(P)	H	18.207	
DRG. PROV. SEALED			

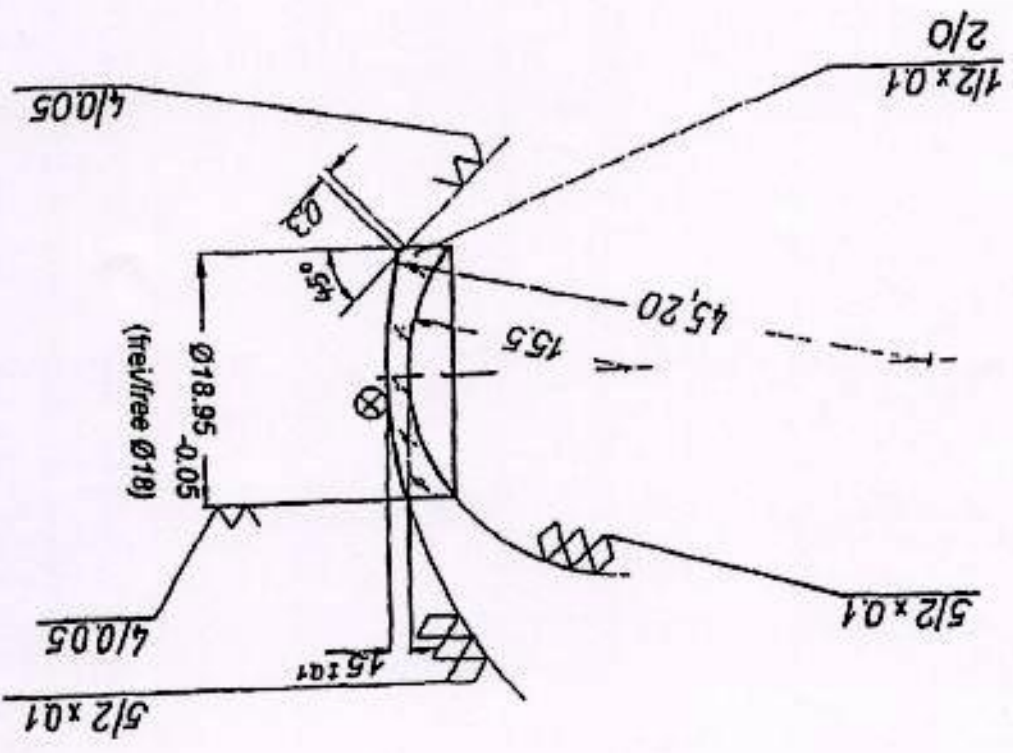
F1312 410380 F
=18



FOR TRADE ONLY
Box of Lens (see list)

DRG. VETTERDRY AM. D.C.I.-24.23-I(P), 2750-ITP.

2:1		F-6-636 353		Dr. Robert C. DeLong 1972 19 Sep KVK 18,95/-37,81 Lens KVK 18,95/-37,81	
Chr. Beck & Söhne KG Kassel		1972 19 Sep KVK 18,95/-37,81 Lens KVK 18,95/-37,81		Dr. Robert C. DeLong 1972 19 Sep KVK 18,95/-37,81 Lens KVK 18,95/-37,81	
D.C.I.-2750-ITP-I DRG. No. AMENDED D.C.I.-2423-I(P) DRG. PROV. SEALED AMENDMENTS		1972 19 Sep KVK 18,95/-37,81 Lens KVK 18,95/-37,81		Dr. Robert C. DeLong 1972 19 Sep KVK 18,95/-37,81 Lens KVK 18,95/-37,81	
D.C.I.-2750-ITP-I DRG. No. AMENDED D.C.I.-2423-I(P) DRG. PROV. SEALED AMENDMENTS		1972 19 Sep KVK 18,95/-37,81 Lens KVK 18,95/-37,81		Dr. Robert C. DeLong 1972 19 Sep KVK 18,95/-37,81 Lens KVK 18,95/-37,81	



FOR READER ONLY
 Date of Issue: 06/07/17

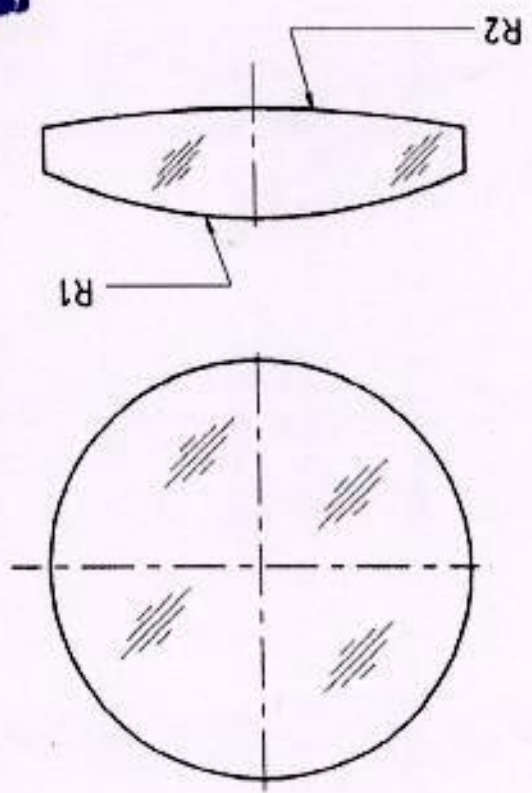
DRAWING NO - CWC-229/7		JWM/DDO W/M/P&P DGM/P.
SHEETS-1		APPROVED
SHTS.-1		CH <i>done</i>
AS ABOVE AS ABOVE		TR-
MAIL		DR - P.C. SINGH
SCALE - 1:1		

DIMENSIONS ARE IN M/M.
 IMPORTANT DIMENSIONS MARKED THUS *
 INFORMATION MARKED THUS † TO BE MARKED ON

NOTE:-
 THIN FILM COATING WIDE BAND AR COATING FROM 0.5μ WITH TO 0.9μ WITH
 PEAK AT 0.65μ, 98% MIN. TRANSMISSION
 EDGES TO BE CHAMFERED.

LENS No.	GLASS TYPE	ND	V	R1	R2	CENTRE THICKNESS	CLEAR APERTURE	DIA	EFL
1	LAKN7 622505	1.6516	58.52	79.16 VEX	159.7 VEX	16.2	60.0	64.0	835M

FOR TRADE ONLY
 Date of Issue 13/02/17



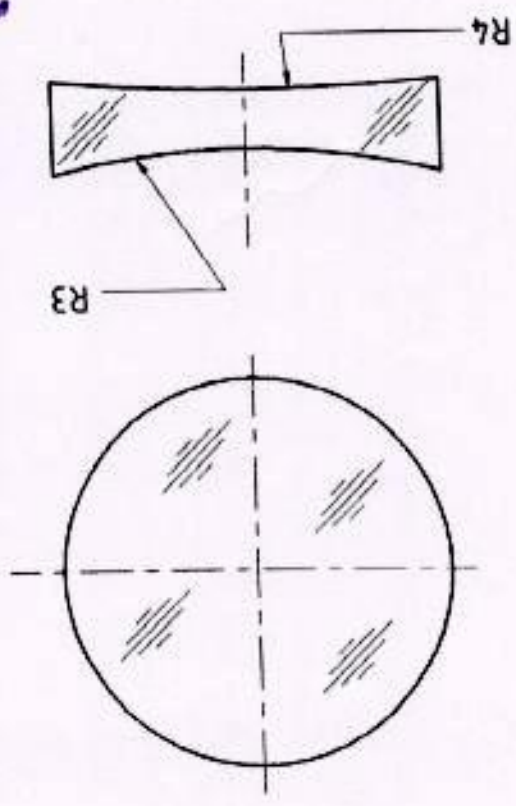
MODIFIED PASSIVE NIGHT SIGHT FOR 12.7 A.D. GUN
 LENS NO. 1

68-2575

ORDNANCE FACTORY, DEHRADUN.

MODIFIED PASSIVE NIGHT SIGHT FOR 12.7 A.D. GUN

LENS NO. II



FOR TRADE MARK
Date of Issue: 12/07/15

LENS No.	GLASS TYPE	ND	V	R3	R4	CENTRE THICKNESS	CLEAR APERTURE	DIA
II	SF-75 699301	1.69895	30.7	122.59 CAVE	300.5 CAVE	9.2	56.4	59.4

NOTE:-
THIN FILM COATING WIDE BAND AR COATING FROM 0.5μ WITH TO 0.9μ WITH
PEAK AT 0.65μ, 98% MIN. TRANSMISSION.
EDGES TO BE CHAMFERED.

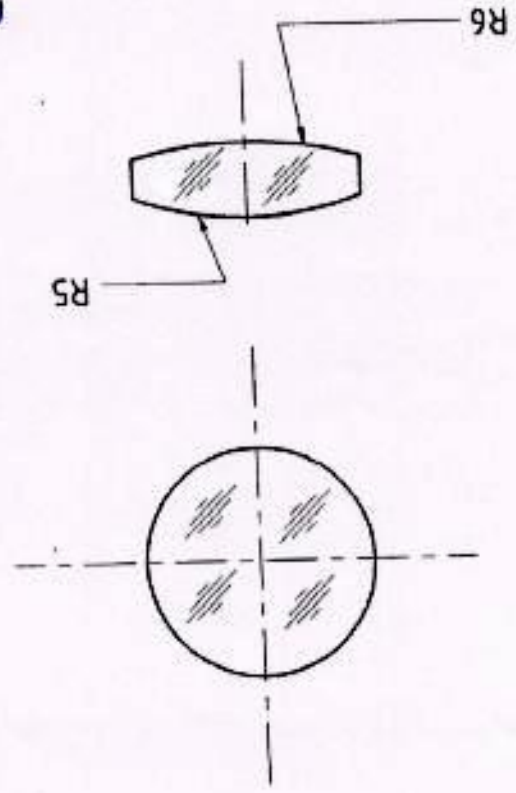
DIMENSIONS ARE IN M/M.
IMPORTANT DIMENSIONS MARKED THUS *
INFORMATION MARKED THUS † TO BE MARKED ON

DT. 08-12-10	SCALE - 1:1	MATL. AS ABOVE	DR. P. C. SINGH	TR. -	CH. <i>[Signature]</i>	APPROVED. <i>[Signature]</i>	JM/DO. <i>[Signature]</i> WM/R/P. <i>[Signature]</i> DGM/P. <i>[Signature]</i>	OFD/DO/002
SHEETS-1	SHTS.-1	AS ABOVE	DR. P. C. SINGH	TR. -	CH. <i>[Signature]</i>	APPROVED. <i>[Signature]</i>	JM/DO. <i>[Signature]</i> WM/R/P. <i>[Signature]</i> DGM/P. <i>[Signature]</i>	AMENDMENTS
DRAWING NO- CWC-229/5								

ORDNANCE FACTORY, DEHRADUN.

MODIFIED PASSIVE NIGHT SIGHT FOR 12.7 A.D. GUN

LENS NO. III



FOR TRADE COPY
Date of Issue 13/02/17

LENS No.	GLASS TYPE	ND	V	RS	R6	CENTRE THICKNESS	CLEAR APERTURE	DIA
III	LAC 697562	1.69736	56.79	59.9	64.07	11.6	33.1	35.1

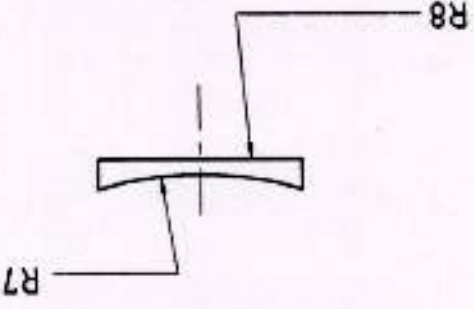
NOTE:-
THIN FILM COATING WIDE BAND AR COATING FROM 0.5μ WITH TO 0.9μ WITH
PEAK AT 0.65μ, 98% MIN. TRANSMISSION
EDGES TO BE CHAMFERED.

DIMENSIONS ARE IN M/M
IMPORTANT DIMENSIONS MARKED THUS * TO BE MARKED ON
INFORMATION MARKED THUS † TO BE MARKED ON

DT. 08-12-10	SCALE- 1:1	MATL. TREAT.	AS ABOVE	DR. P.C.SINGH	TR.-	CH. <i>one</i>	APPROVED <i>[Signature]</i>	JWM/DDO. <i>[Signature]</i>	WM/PPR. PGM/PP.	AMENDMENTS	OFD/DDO/002
SHEETS-1		SHTS-1		DRAWING NO-		CWC-229/17					

MODIFIED PASSIVE NIGHT SIGHT FOR 12.7 A.D. GUN

LENS NO. IV



ONE TRADE ONLY
13/02/15
13/02/15

LENS No.	GLASS TYPE	ND	V	R7	R8	CENTRE THICKNESS	CLEAR APERTURE	DIA
IV	SF-10	1.72826	28.41	53.63	5350.0	2.3	29.2	31.2

NOTE:-

THIN FILM COATING WIDE BAND AR COATING FROM 0.5μ WITH TO 0.9μ WITH PEAK AT 0.65μ, 98%MIN. TRANSMISSION. EDGES TO BE CHAMFERED.

DIMENSIONS ARE IN M/M.
 * IMPORTANT DIMENSIONS MARKED THUS
 INFORMATION MARKED THUS † TO BE MARKED ON

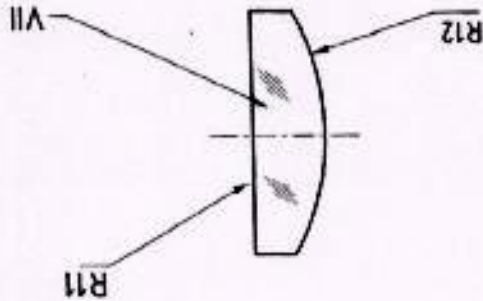
DT. 08-12-10		DR. - P. C. SINGH	TR. -	CH. <i>[Signature]</i>	APPROVED. <i>[Signature]</i>	JWM/DDO WM/PDP DGM/P.
SCALE - 1:1	MATERIAL	AS ABOVE	AS ABOVE	SHEETS - 1	DRAWING NO -	CWC-229/15

AMENDMENTS
 OFD/DDO/002

ORDNANCE FACTORY, DEHRADUN.

MODIFIED PASSIVE NIGHT SIGHT FOR 12.7 A.D. GUN

LENS NO. VII



LENS No.	GLASS TYPE	INDEX AT D LINE	R11	R12	CENTRE THICKNESS	CLEAR APERTURE	DIA	EFL AT INCH
VII	SK-16	1.62041	±5.0 919.28	±0.1 20.4	±0.05 6.0	Ø0.0	20.0	33.55

NOTE:-

THIN FILM COATING WIDE BAND AR COATING FROM 0.5µ WITH TO 0.9µ WITH PEAK AT 0.65µ, 98%MIN. TRANSMISSION. EDGES TO BE CHAMFERED.

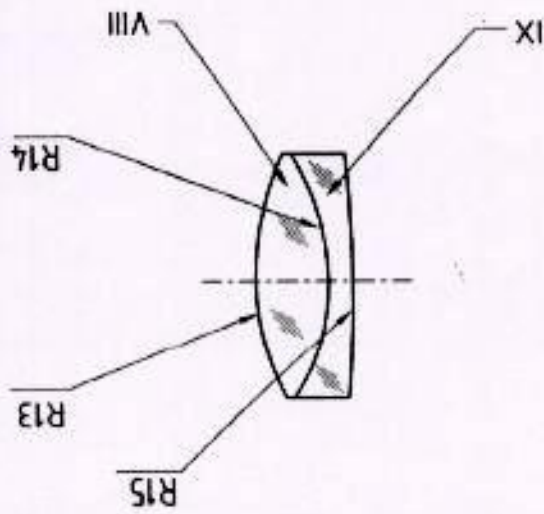
OK TRADE OPS
Date of Issue: 13/02/12
201-

DIMENSIONS ARE IN M/M
DIFFERENT DIMENSIONS MARKED THUS * TO BE MARKED ON
INFORMATION MARKED THUS † TO BE MARKED ON

DRAWING NO- CWC-229/36		APPROVED		JWM/DO. W/M/ASSY. W/M/P-1	
SHEETS-1		CH		AMENDMENTS	
SHTS.-1		TR-		OFD/DO/002	
MATERIAL AS ABOVE		DR - P.C. SINGH		APPROVED	
SCALE- 1:1		DT. 11-10-10		APPROVED	

MODIFIED PASSIVE NIGHT SIGHT FOR 12.7 A.D. GUN

LENS NO. VIII & IX



LENS No.	GLASS TYPE	INDEX AT D LAME	R13	R14	R15	CENTRE THICKNESS	CLEAR APERTURE DIA	EFL AT (mm)
VM	BK-7 517642	151680	±0.1 22.43 VEX	±0.1 80.42 VEX		±0.05 6.0	18.0	20.61
IX	SF-5 699301	1.69095		±0.1 18.42 CAVE ±0.5 98.37 VEX		±0.05 2.0	18.0	-32.77

NOTE:-

THIN FILM COATING WIDE BAND AR COATING FROM 0.5μ WITH TO 0.9μ WITH PEAK AT 0.65μ, 98% MIN. TRANSMISSION
EDGES TO BE CHAMFERED.

OK TRADE ONLY
Date of Issue: 13/01/12

DIMENSIONS ARE IN MM.
• IMPORTANT DIMENSIONS MARKED THUS
INFORMATION MARKED THUS † TO BE MARKED ON

DT. 11-10-10	SCALE - 1:1	DR - P.C SINGH	TR -	CH	APPROVED	JWM/DDO WM/ASSTY. WM/P-1
MATL. IREAT.	AS ABOVE					
SHEETS-1	SHTS-1					
DRAWING NO- CWC-229/38						

OFD/DO/002		JM/DDO. WM/P&P DGM/P.
AMENDMENTS.		APPROVED. <i>[Signature]</i>
DRAWING NO- CWC-229/7		
CH. <i>[Signature]</i>	SHEETS-1	SHTS.-1
TR- DR. P.C.SINGH	AS ABOVE	AS ABOVE
	MAIL	TREAT
	DI. 08-12-10	SCALE- 1:1

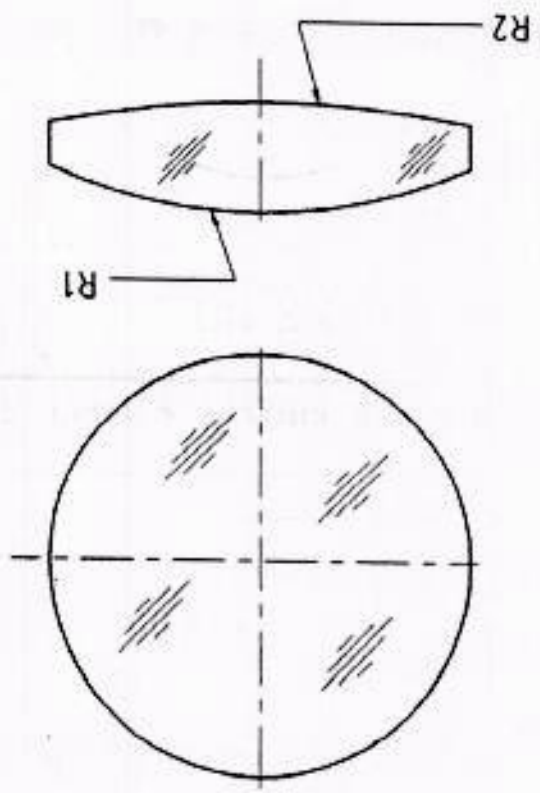
DIMENSIONS ARE IN M/M
 IMPORTANT DIMENSIONS MARKED THUS *
 INFORMATION MARKED THUS † TO BE MARKED ON

OR TRADE MARK
Date of Issue 13.12.10
81-

THIN FILM COATING WIDE BAND AR COATING FROM 0.5μ WITH TO 0.9μ WITH
 PEAK AT 0.65μ, 98% MIN. TRANSMISSION.
 EDGES TO BE CHAMFERED.

NOTE:-

LENS No.	GLASS TYPE	ND	V	R1	R2	CENTRE THICKNESS	CLEAR APERTURE	DIA	EFL
1	LAKN7 622585	1.6516	58.52	79.76 VEX	59.7 VEX	16.2	60.0	64.0	83.516

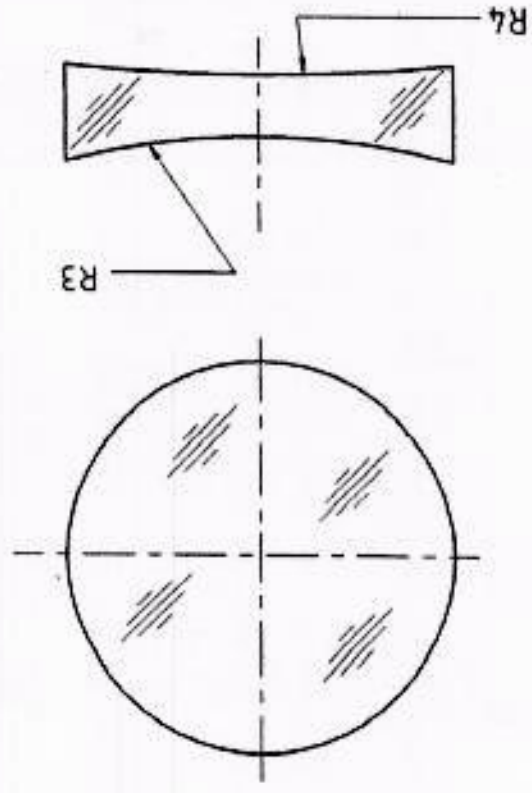


LENS NO. 1

MODIFIED PASSIVE NIGHT SIGHT FOR 12.7 A.D. GUN

MODIFIED PASSIVE NIGHT SIGHT FOR 12.7 A.D. GUN

LENS NO. II



LENS No.	GLASS TYPE	ND	V	R3	R4	CENTRE THICKNESS	CLEAR APERTURE	DIA
II	SF-15 699301	1.69895	30.7	122.59 CAVE	300.5 CAVE	9.2	56.4	59.4

NOTE:-
 THIN FILM COATING WIDE BAND AR COATING FROM 0.5μ WITH TO 0.9μ WITH
 PEAK AT 0.65μ, 98% MIN. TRANSMISSION.
 EDGES TO BE CHAMFERED.

OR TRADE MARK
 Date of Issue: 13/01/10

DIMENSIONS ARE IN MM.
 IMPORTANT DIMENSIONS MARKED THUS *
 INFORMATION MARKED THUS † TO BE MARKED ON

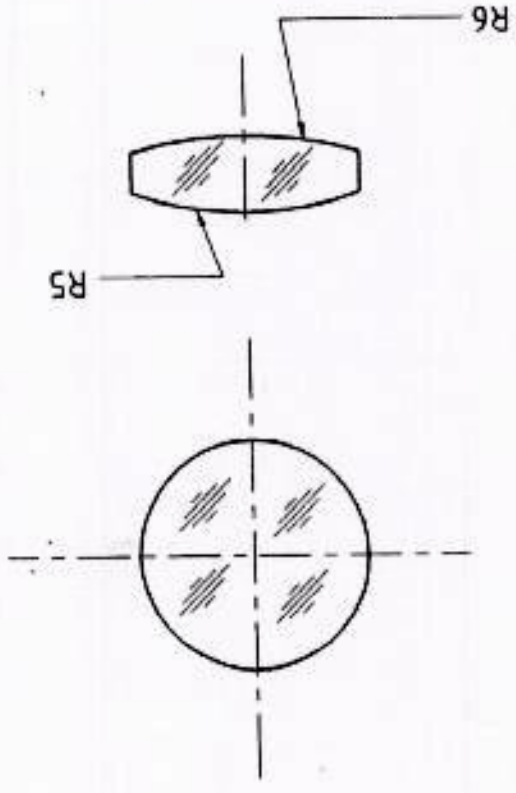
OFD/DO/002		AMENDMENTS	
APPROVED.		DRAWING NO-	
CH. <i>[Signature]</i>		CWC-229/5	
TR- <i>[Signature]</i>		SHEETS-1	
DR- P.C. SINGH		SHTS-1	
MATERIAL		AS ABOVE	
TREATMENT		AS ABOVE	
SCALE- 1:1		DATE- 08-12-10	

JWM/DO. *[Signature]*
 WM/R/R: DGM/P. *[Signature]*
 APPROVED. *[Signature]*

ORDNANCE FACTORY, DEHRADUN.

MODIFIED PASSIVE NIGHT SIGHT FOR 12.7 A.D. GUN

LENS NO. III



LENS No.	GLASS TYPE	ND	V	R5	R6	CENTRE THICKNESS	CLEAR APERTURE	DIA
III	LAC 697562	1.69736	56.79	59.9	64.07	11.4	33.1	35.1

NOTE:-

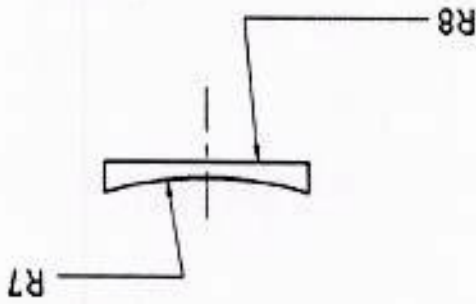
THIN FILM COATING WIDE BAND AR COATING FROM 0.5μ WITH TO 0.9μ WITH PEAK AT 0.65μ, 98% MIN. TRANSMISSION
 EDGES TO BE CHAMFERED.
 DIMENSIONS ARE IN MM.
 IMPORTANT DIMENSIONS MARKED THUS *
 INFORMATION MARKED THUS † TO BE MARKED ON

DT. 08-12-10 SCALE-1:1 MAIL AS ABOVE AS ABOVE TR- DR - P.C. SINGH CH. APPROVED.

DRAWING NO- CWC-229/17		JWM/DDO. WHP/PP. PGM/PP.	OFD/DDO/002
SHEETS-1		APPROVED.	AMENDMENTS
SHTS-1	SHEETS-1	CH.	
AS ABOVE	AS ABOVE	TR-	
IRBAIL	MAIL	DR - P.C. SINGH	
SCALE-1:1	DT. 08-12-10		

MODIFIED PASSIVE NIGHT SIGHT FOR 12.7 A.D. GUN

LENS NO. IV



LENS No.	GLASS TYPE	Nd	v	R1	R2	CENTRE THICKNESS	CLEAR APERTURE	DIA
IV	SF-10 728284	172826	28.41	53.63 CAVE	5350.0 CAVE	2.3	29.2	-0.05 31.2

NOTE:-

THIN FILM COATING WIDE BAND AR COATING FROM 0.5μ WITH TO 0.9μ WITH PEAK AT 0.65μ, 98% MIN. TRANSMISSION.
EDGES TO BE CHAMFERED.

Handwritten notes:
Date of Issue: 13/07/17
W. S. S. S.

DIMENSIONS ARE IN M/M.
IMPORTANT DIMENSIONS MARKED THUS •
INFORMATION MARKED THUS † TO BE MARKED ON

OFD/DO/002	JWM/DO.	W/P/P/DGM/P.
AMENDMENTS.	APPROVED.	<i>Handwritten signatures</i>
	CH. <i>Handwritten signature</i>	
	TR.-	
	DR.- P.C.SINGH	
	MATL	AS ABOVE
	IRAI	AS ABOVE
	SCALE- 1:1	DT. 08-12-10
	SHTS-1	SHTS-1
	DRAWING NO-	CWC-229/15

ORDNANCE FACTORY, DEHRADUN.

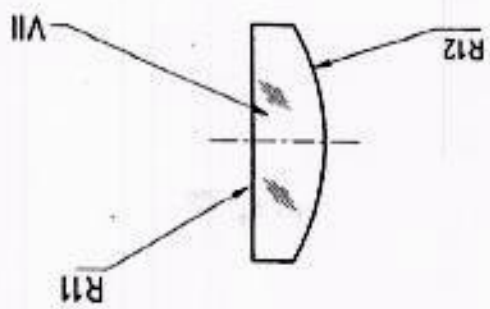
DRA WING NO- CWC-229/36		JWM/DO. W/M/ASSY. W/M/P-1		OFD/DO/002	
APPROVED		[Signatures]		AMENDMENTS	
SHEETS-1		CH.			
AS ABOVE		TR.			
MAIL.		DR. P.C.SINGH			
IRBAL					
SCALE- 1:1		DT. 11-10-10			

DIMENSIONS ARE IN M/M.
 IMPORTANT DIMENSIONS MARKED THUS *
 INFORMATION MARKED THUS † TO BE MARKED ON.

FOR TRADE MARK
 Dept of Ordnance
 Dehradun

NOTE:-
 THIN FILM COATING WIDE BAND AR COATING FROM 0.5μ WITH TO 0.9μ WITH
 PEAK AT 0.65μ, 90%MIN. TRANSMISSION.
 EDGES TO BE CHAMFERED.

LENS No.	GLASS TYPE	INDEX AT D. LINE	R11	R12	CENTRE THICKNESS	CLEAR APERTURE	DIA	EFL. AT λ = 587 nm
VII	SK-16	1.62041	±0.1	±0.1	±0.05	18.0	20.0	33.55



MODIFIED PASSIVE NIGHT SIGHT FOR 12.7 A.D. GUN
 LENS NO. VII

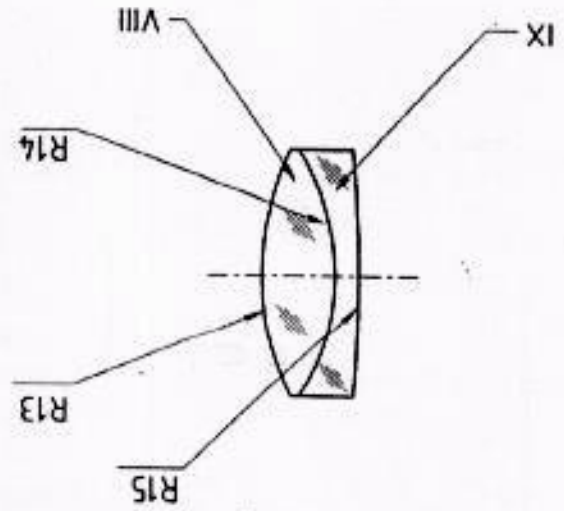
ORDNANCE FACTORY, DEHRADUN.

DRAWING NO- CWC-229/38		APPROVED		OFD/DO/002	
SHEETS-1		CH		AMENDMENTS	
SHTS-1		TR-			
MATERIAL AS ABOVE		DR - P.C.SINGH			
SCALE - 1:1		DT. 11-10-10		INFORMATION MARKED THUS + TO BE MARKED ON	

FOR TRADE MARK
Date of Issue 13/10/10

NOTE:-
THIN FILM COATING WIDE BAND AR COATING FROM 0.5μ WITH TO 0.9μ WITH
PEAK AT 0.65μ, 98% MIN. TRANSMISSION.
EDGES TO BE CHAMFERED
DIMENSIONS ARE IN MM.
DIFFERENT DIMENSIONS MARKED THUS *
INFORMATION MARKED THUS + TO BE MARKED ON

LENS No.	GLASS TYPE	INDEX AT 'D' LINE	R13	R14	R15	CENTRE THICKNESS	CLEAR APERTURE DIA	EFL AT λ = 687 nm
VIII	BK-7	1.51680	±0.1	18.42	±0.5	±0.05	18.0	20.61
IX	SF-5	1.69095		18.42	±0.5	±0.05	18.0	-32.77



MODIFIED PASSIVE NIGHT SIGHT FOR 12.7 A.D. GUN
LENS NO. VIII & IX

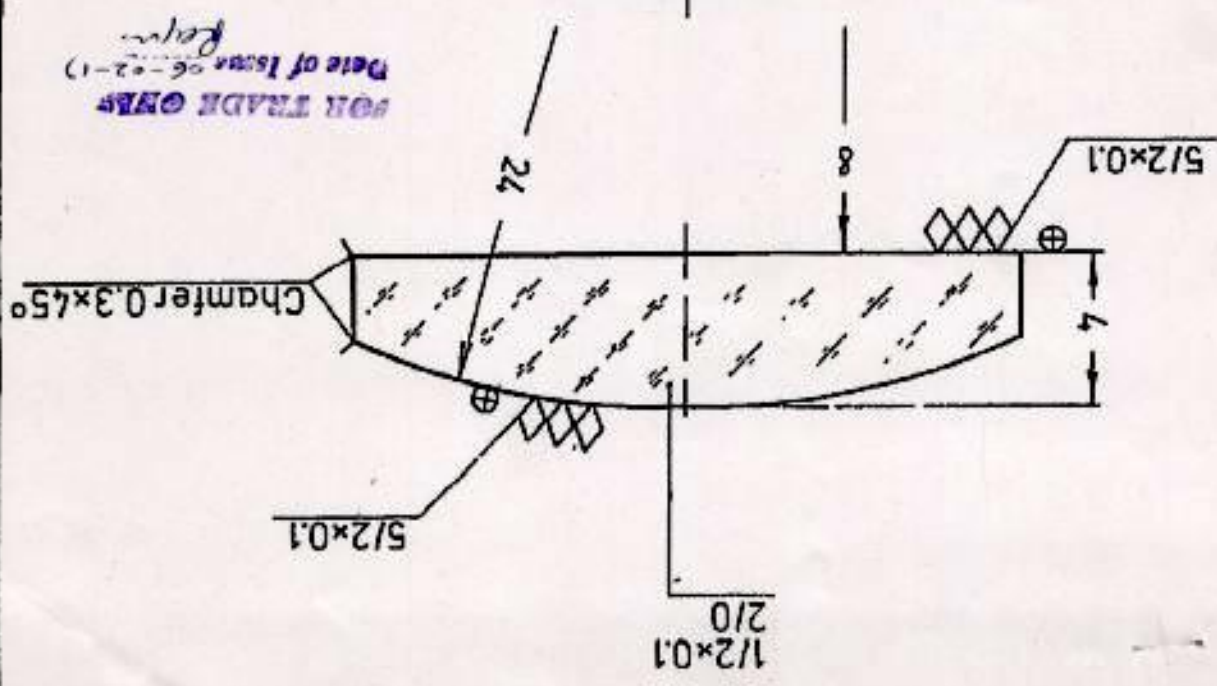
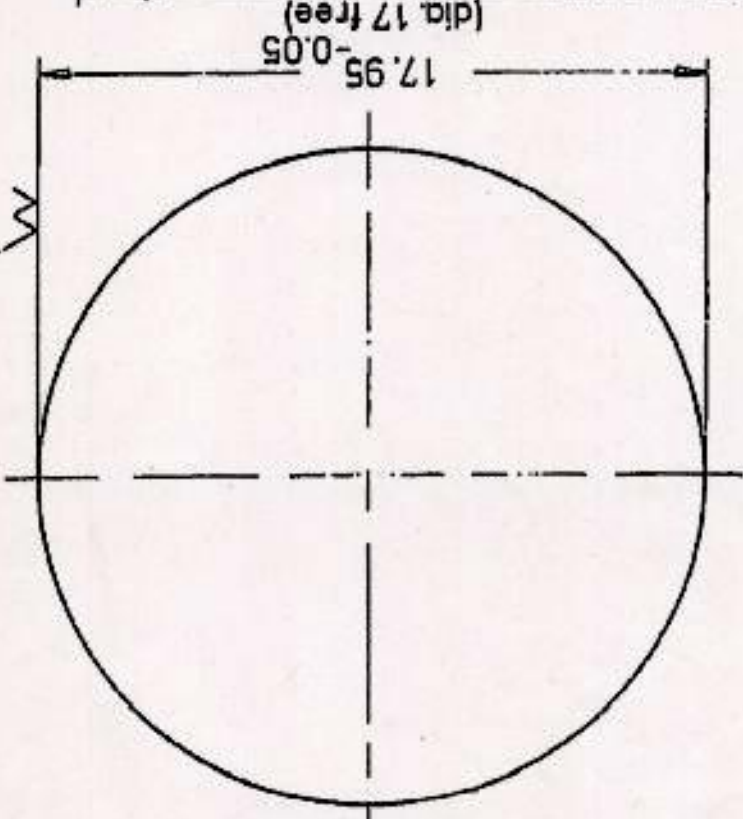
D.C.I.-2423-T(P), 2754-IC(P)

DR. VETTED BY DR. H

Project Equip		PKV 17.95/46.44
Scale	5:1	BK 7-517642
Author	Chr Beck & Söhne KG	CBS DRG No. CAA(1)-793/5
Year	2008	±0.1

AMENDMENTS	
NO.	CHANGE DATE
1	6-12-11
2	1-18-20

SH = 2/537
SH = 0
f = 46.44



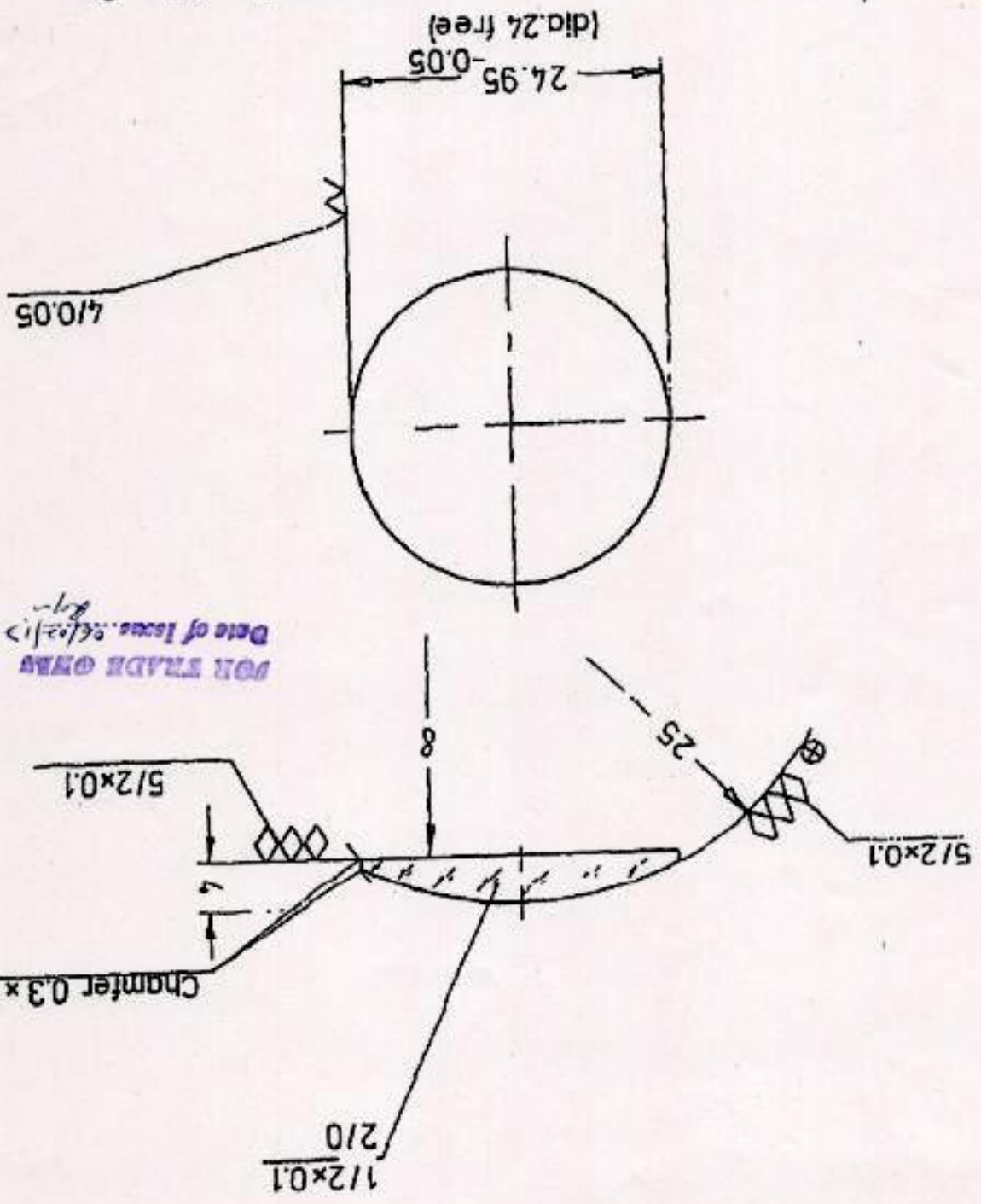
168-2508

Für diese Zeichnung behalten wir uns alle Rechte vor DRG. YETTER RWOMI - No. 1 - D.C. 2423-I(P), 2750-IT(P).

Project Europ		PKV 27.951 43.95	
Scale 2:1	mm	BAK 4-569561	
Scale Hauptstab	mm	Werkstoff	
Scale Lini	mm	Werkstoff	
Name		Chr. Beck & Söhne KG	
Gez	20.8.86	Kassel	
Gepr	23.12	Kassel	
Datum		Name	
AMENDMENTS			
D.C. 2423-I(P) 2750-IT(P)			
DRG. NO. AMENDEP.			
D.C. 2423-I(P) 2750-IT(P)			
DATE	SIG	DATE	SIG
18.7.07	1/8	18.7.07	1/8

Formen ohne Maßstab sind
Maße ohne Maßstab sind

S.H. = 0
SH = 2.550
f = 43.95

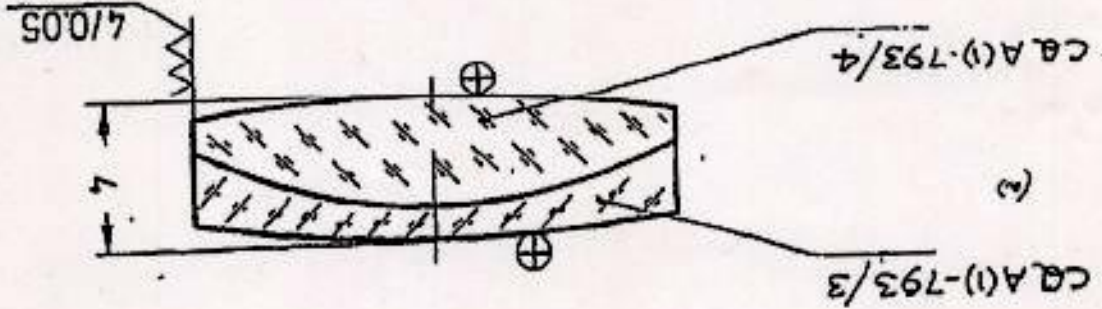
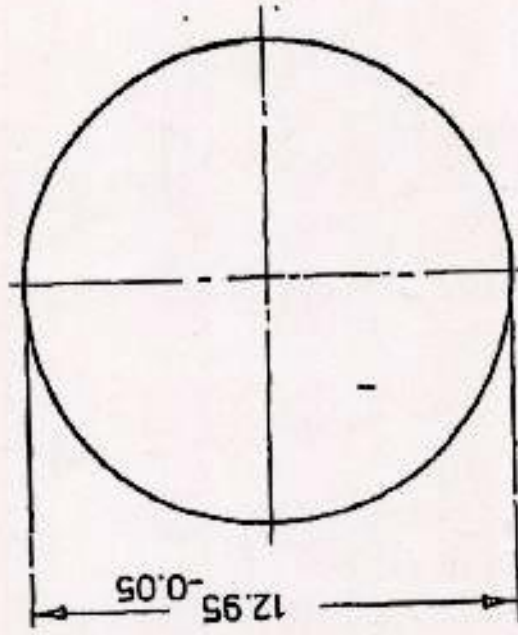


(02)

Project Group	Achromat 12.95/42.19
Scale	5:1
Unit	mm
Material	Kassel
Form	30.8/6
Gap	14.10
Material	Chr Beck & Söhne KG
Material	±0.1
Supers	235149F
DRG No.	CA A (1)-793/5A-7
GF	235149F

Cement with cellulose caprate

f = 42.19



FOR TRADE ONLY
Date of issue: 05/02/17
Rajiv

DRG. NO.	2750-IP (P)	2750-IP
DRG. NO.	AMENDED DRAWING	2750-IP
DRG. NO.	2425-IP (P)	2425-IP
DRG. NO.	PROV. SHEET	2425-IP
AMENDMENTS		

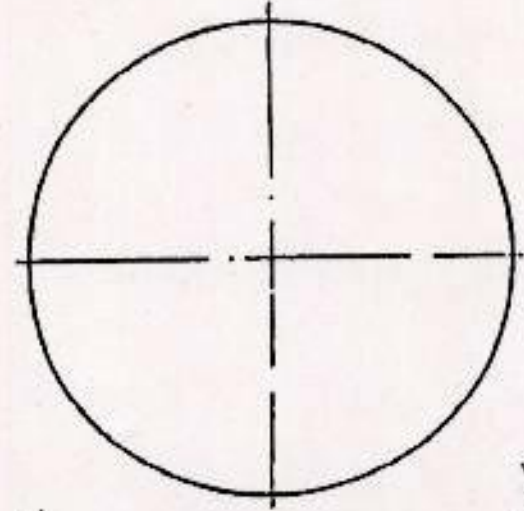
D.G. 2425-IP (P), 2750-IP (P)

Für diese Zeichnung behalten wir uns alle Rechte vor. TYP. VITTEBRO ANL. A 0.01-2423-I (P), 2750-I (P)

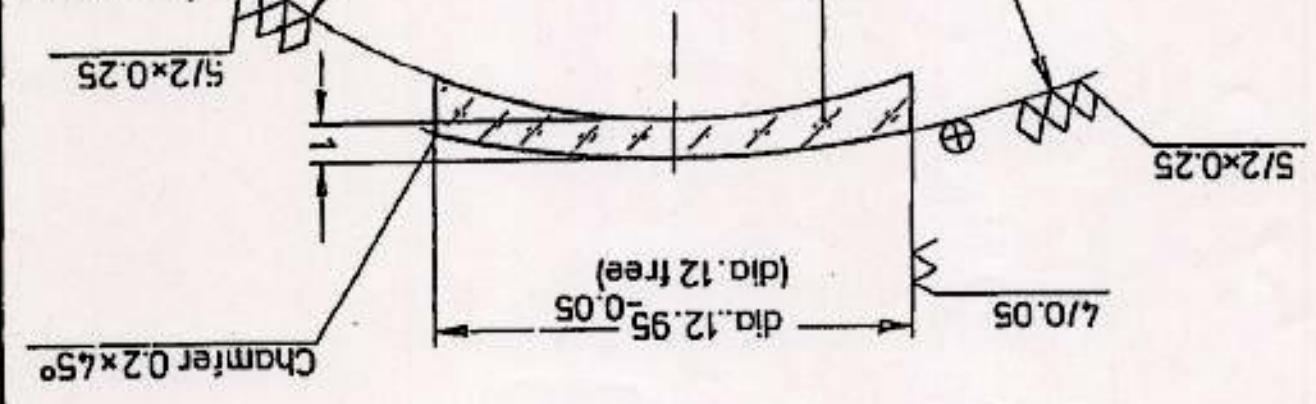
Project KVK 12.951-32.893		Scale S:1		Date 16.9.98	
F2-620364		Unit mm		Name H.	
DRG. No. CA(0)-793/3		Material F2-620364		Date 16.9.98	
Chr Beck & Söhne KG		Kassel		Date 16.9.98	
F01		Kassel		Date 16.9.98	

Article No. F1312-410440

S.H. = -0.984
SH = -0.356
f = -32.893



NO.	DRG. NO.	DATE	SIGNATURE	DATE
1	D.01-2423-I (P)	16.12.98	H.	16.12.98
2	D.01-2423-I (P)	16.12.98	H.	16.12.98
3	D.01-2423-I (P)	16.12.98	H.	16.12.98
4	D.01-2423-I (P)	16.12.98	H.	16.12.98
5	D.01-2423-I (P)	16.12.98	H.	16.12.98



FOR TRADE ONLY
Date of Issue: 16.12.98

Für diese Zeichnung behalten wir uns alle Rechte vor. DRG-VERTIKAL AM 1. P. 21-2423-I (P), 2750-II (P).

DRG. NO. 2750-II (P)	1
DRG. NO. AMENDED	2
DRG. NO. 2423-I (P)	3
DRG. PROVISED	4
DATE	05.11.1955
DATE	05.11.1955

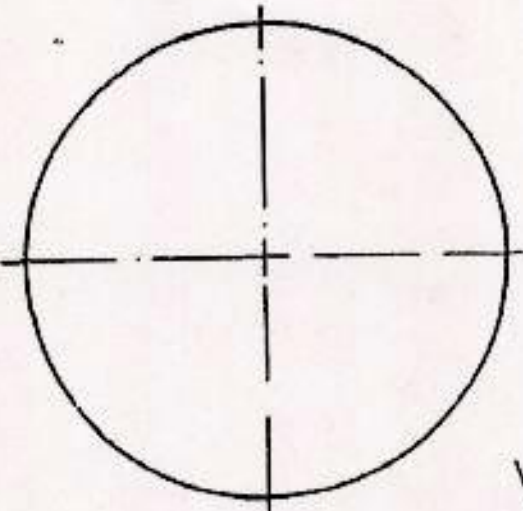
AMENDMENTS

Project	BK7-51762
Scale	5:1
Unit	mm
Material	
Workshop	
Norm	
Gez.	16.978
Gez.	13.92
Name	

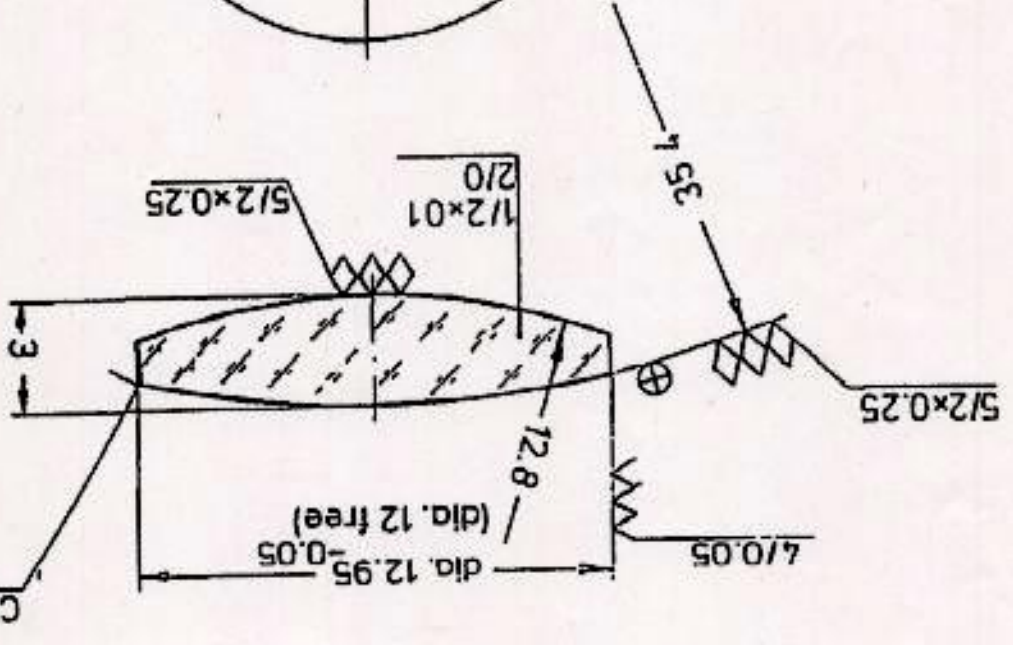
Project	BK7-51762
Scale	5:1
Unit	mm
Material	
Workshop	
Norm	
Gez.	16.978
Gez.	13.92
Name	

Project	BK7-51762
Scale	5:1
Unit	mm
Material	
Workshop	
Norm	
Gez.	16.978
Gez.	13.92
Name	

Article No. F1312-410450



S.H. = -0.537
 SH = 1.684
 t = 18.585



FOR TRADE ONLY
 Date of Issue: 06.02.55

3

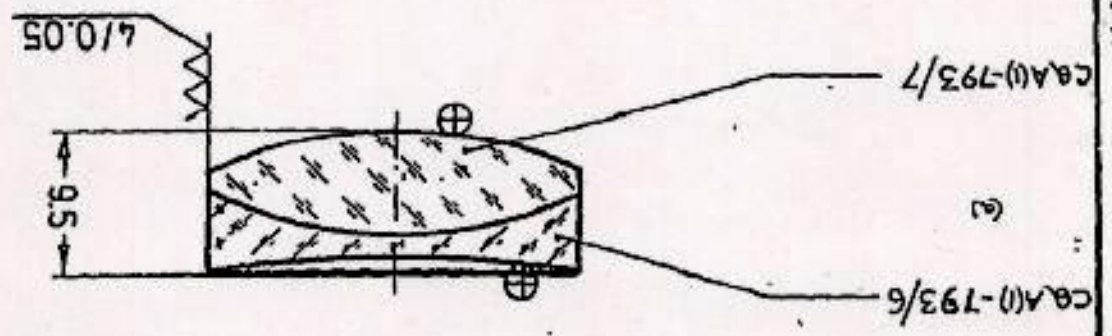
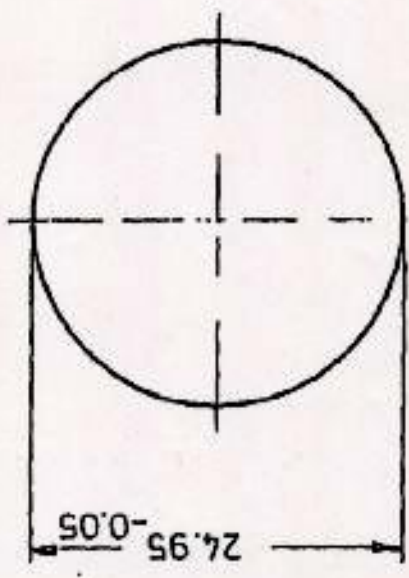
DRG. VETTERBYRN: A D.C.I. - 2423-I(P), 2750-I(P).

Project Europ		Achromat 24.95/83.407	
Scale Maßstab	mm	2:1	
Form	Einheit	Material Werkstoff	
Gez	22896	Chr Beck & Söhne KG	
Gepr	18 KG	Kassel	
Name		+01	
Datum		Fertiger Name Fertiger Nr. Fertiger Datum	

AMENDMENTS	
DRG. PROJ. SEALER	
D.C.I. - 2423-I(P)	
DRG. Nos. AMENDE DATAB.	
6-12-11	

Cement with cellulose caprate

f=83.407



FOR TRADE ONLY
 Date of Issue: 06-02-17
 log

Für diese Zeichnung behalten wir uns alle Rechte vor

DRG. VETTERBY Nr. 11 D.G.: 2423-2(P), 2750-2(P)

DRG. No. AMENDED.	L. 2	6 1/2
D.G.: 2423-2(P)	N. 1	1870
DRG. PROV. SEAL ED	CLASSIC	DATE

AMENDMENTS

Scale	Unit	Norm
2:1	mm	
Scale	Method	Unit
Get	Capr	Norm
20376	2310	
Name	Date	

BKK 24.95/-28.498

SF 4-755276

GF 235128F

CBA(1)-793/6

CBS DRG No.

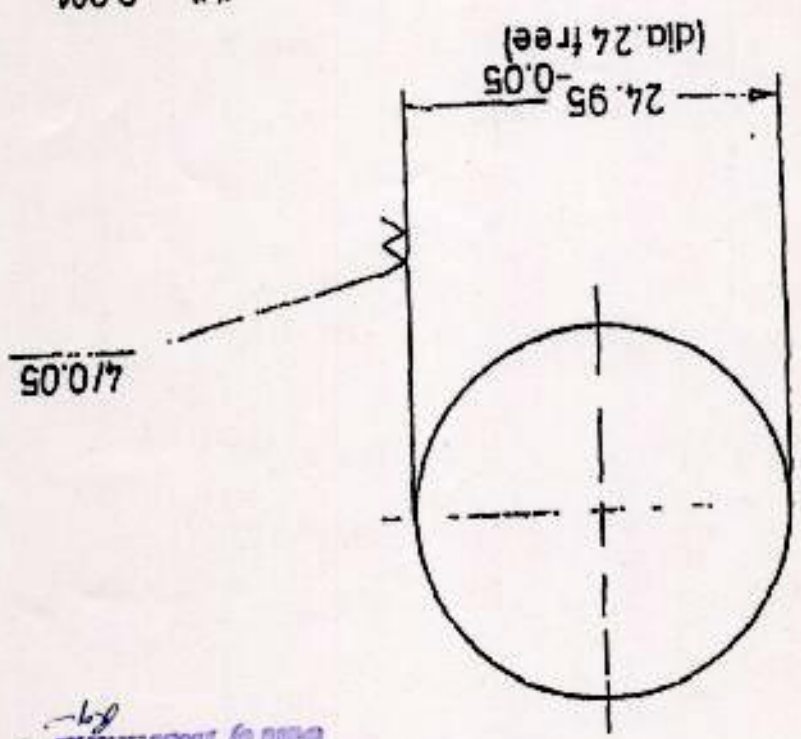
±0.1

Chr Beck & Söhne KG
Kassel

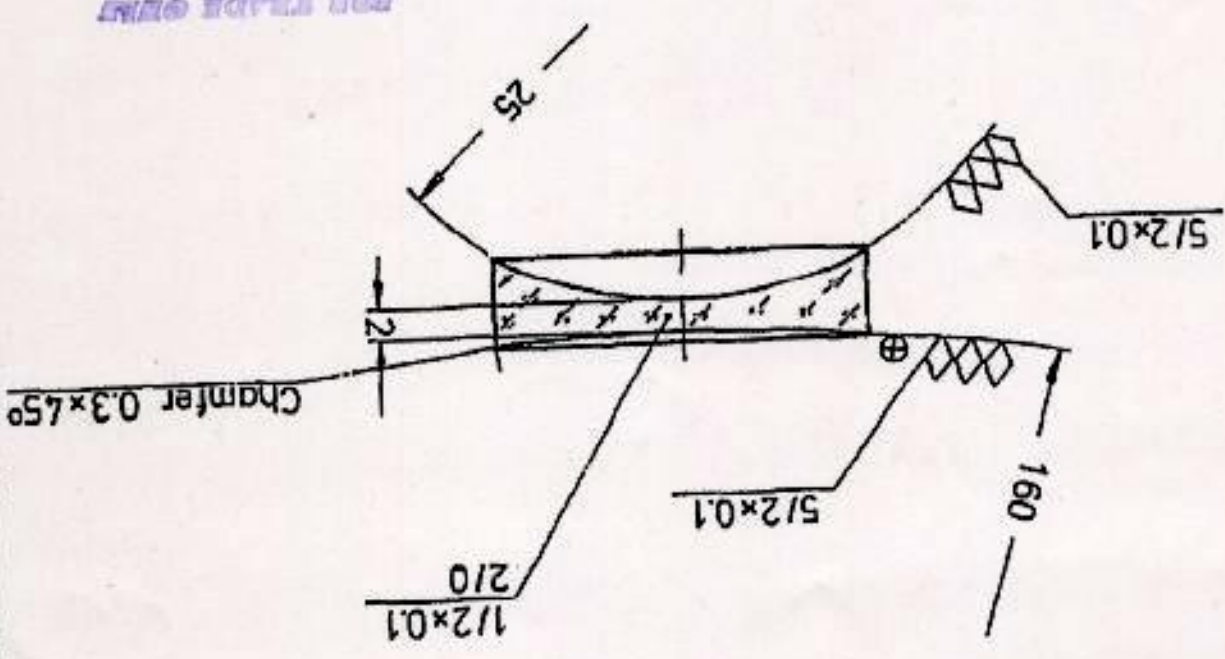
For more information see...

Article No F1312-410460

S.H. = -0.981
S.H. = 0.153
f = -28.498



FOR TRADE ONLY
Date of Issue: 05-09-11



Für diese Zeichnung behalten wir uns alle Rechte vor. DRG. VERIFIED BY ANI-113 D.C.I.-2123-I(P), 2150-ITP3

CAD: 2150-ITP)-DRG. No. AMENDED	M. J. G. 6/12/11
D.C.I.-2123-ITP)	M. H. 1/18/07
DRG. PRD. SEALED	PHD SIG DATE

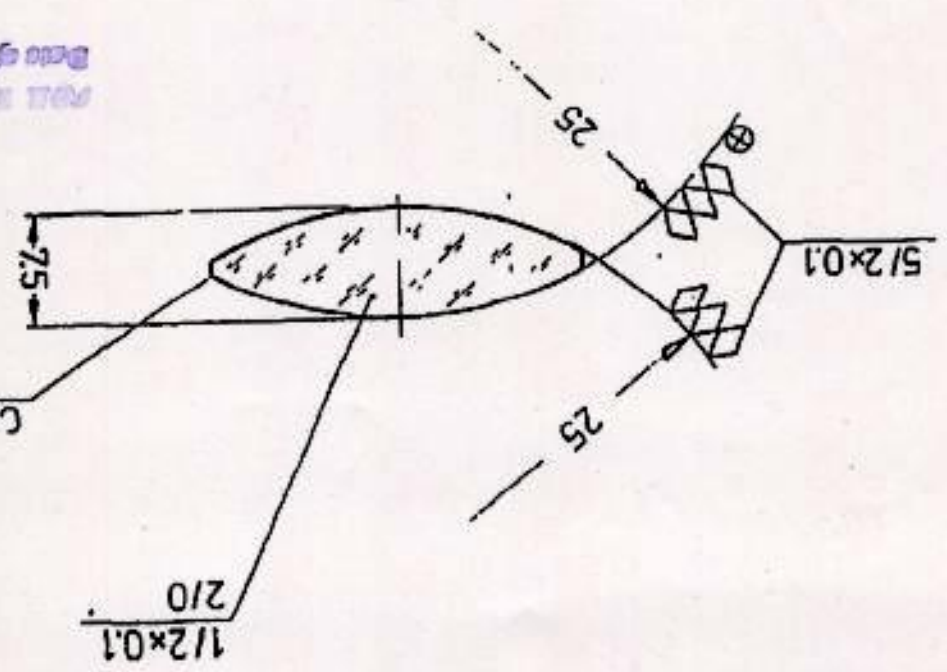
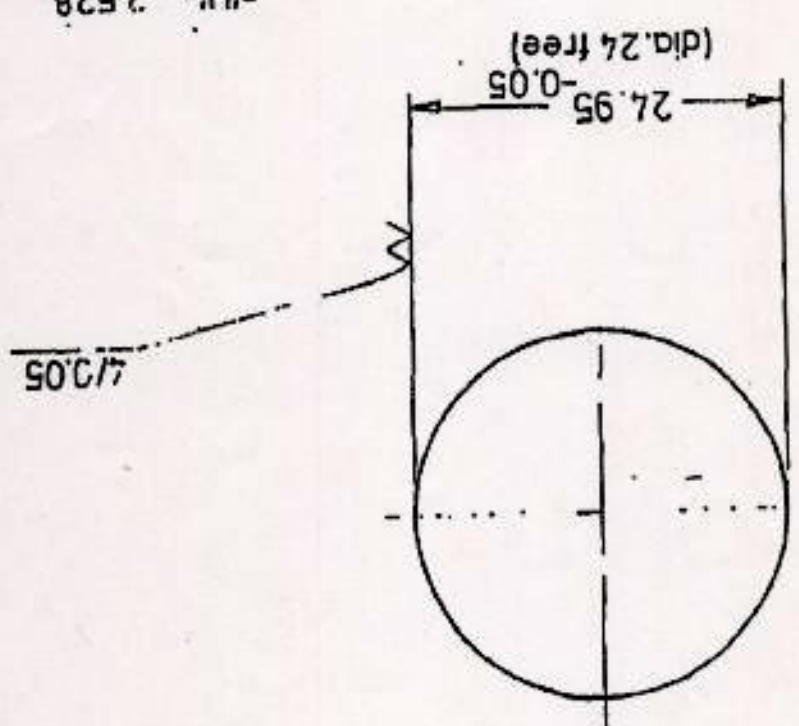
AMENDMENTS

Project	BKVP
Scale	2:1
Unit	mm
Material	BK 4-569561
Name	Chr. Beck & Söhne KG
Gepr	2310
Gez	2098
Datum	K.
Name	H.

BKV 24.95/ 23.239
(FE N. 1)

CBS DRG. No. CA A(1)-793/7
GF 235127 F

Article No. F1312-410470
SH = -2.528
SH = 2.528
f = 23.239



POLE FELDGE...
Date of Issue: 06-01-11

Chamfer 0.3 x 45°

1/2 x 0.1

(2)

DRG. VETTED BY GM: *AW* D.C. - 2423-T(P), 2750-3(P)

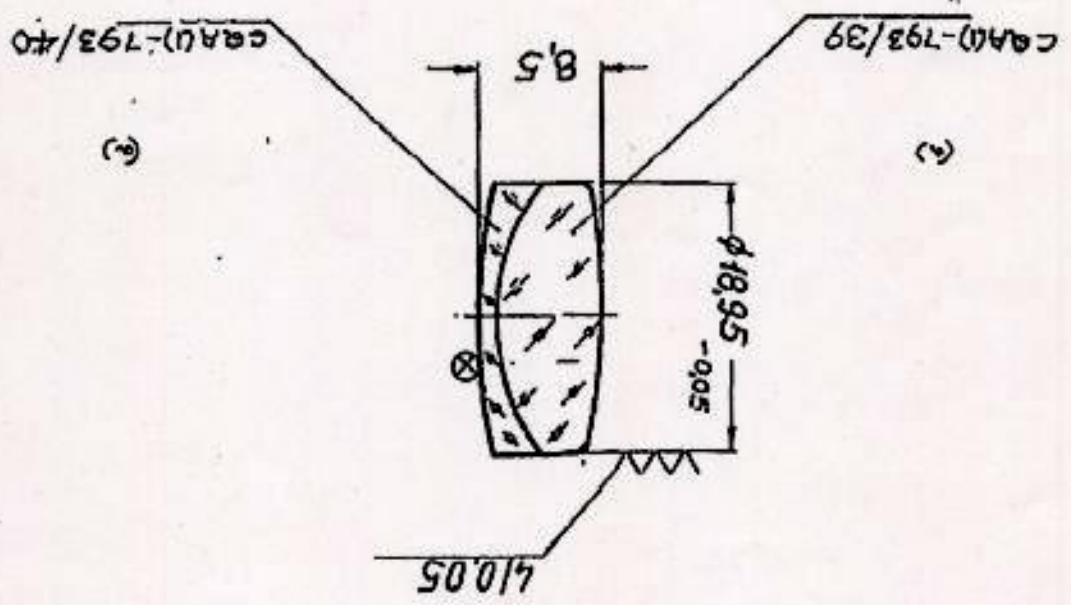
2:1

Chr. Beck & Söhne KG
Kassel

Abls/B/Scale		1972		1950P		Achromat 18,95/43,41 Achromatic lens 18,95/48,1	
Bl. Farbe / Linsen / Durchsicht		Tag / Datum		Name / Design		Erz. durch / Ersetzt durch	
Linsen / Durchsicht		Tag / Datum		Name / Design		Erz. durch / Ersetzt durch	
Linsen / Durchsicht		Tag / Datum		Name / Design		Erz. durch / Ersetzt durch	
Linsen / Durchsicht		Tag / Datum		Name / Design		Erz. durch / Ersetzt durch	
Linsen / Durchsicht		Tag / Datum		Name / Design		Erz. durch / Ersetzt durch	

Kitten mit Cellulose caprate / Cement with cellulose caprate
 $f = 48,4$
 $s = 45,5$
 F1312-410370 F

AMENDMENTS		
DRG. NO.	AMENDMENT	DATE
(B) D.C. - 2750 - T(P) -		
DRG. Nos. AMENDED		6.12.11
D.C. - 2423 - T(P)		18.7.07
DRG. PROV. SEALED		



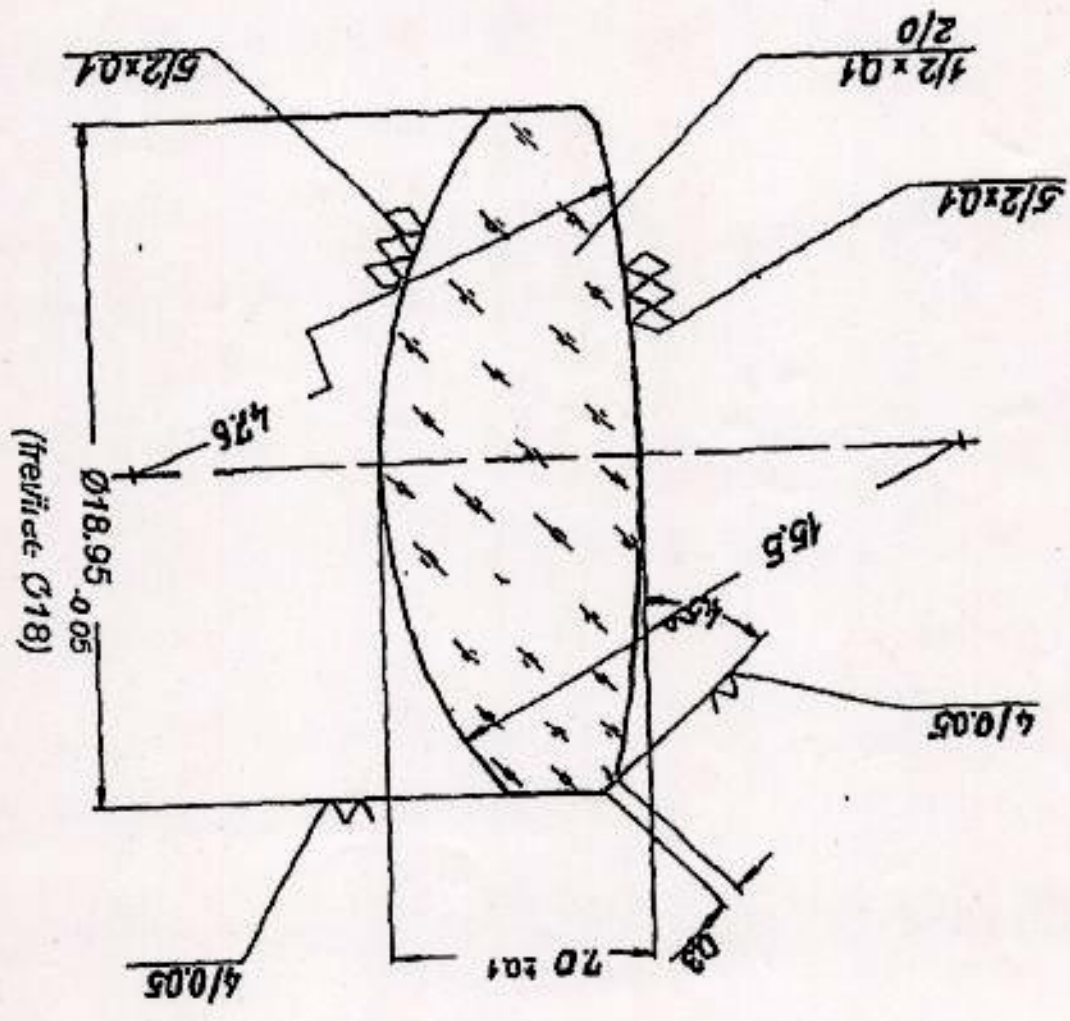
FOR TRADE ONLY
 Date of Issue: 06-02-11
by

5:1		SK 11-564 608		BKV 18,5/21,6/ Lens BKV 18,95/21,6	
Chr. Beck & Söhne KG Kassel		1972		DRG No. CA A (V) - 793/39	
Durchschl. Leder	Buchhöhe Lehrer	Top-Diam.	1972	Erhalt durch	
				Erhalt für	
				Änderung/Revision	

DRG VETTED BY 0M1-127

AMENDMENTS		
DRG. NO. AMENDED	NO.	DATE
D.C. 2423-1(P)	H	18.707
(a) D.C. 2750-1(P)	F	6.12.11

D.C. 2423-1(P), 2750-1(P)



F1312 410380 F
=116

SGR TRADE MARK
Date of Issue 06.02.11

DRG. VETTED RV AM. D.C.I. - 2423-I(P), 2750-2(P).

2:1

F6-636 353

Chr. Beck & Söhne KG
Kassel

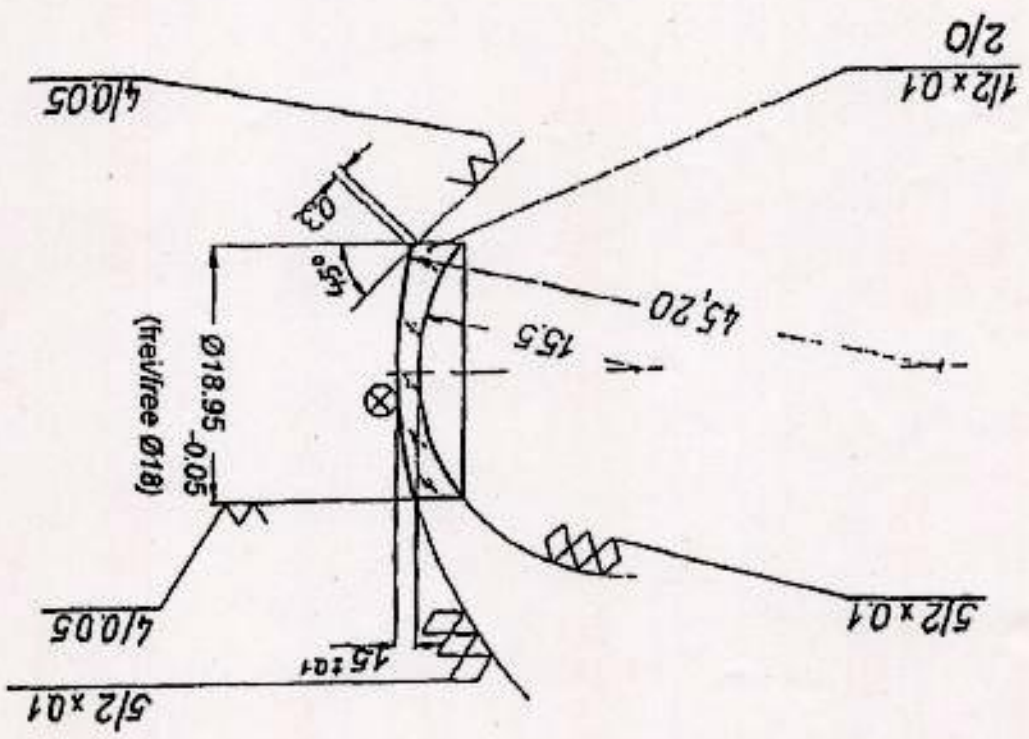
DRG. No. AMENDED D.C.I. - 2423-I(P)	18.7.07	AMENDMENTS
DRG. PROV. SEALED		
CHISEL DATE		

KVK 18,95/-37,81/
Lens KVK 18,95/-37,81

DRG. No. CA 10-793/40

1972	19 Sep	1972	19 Sep
1972	19 Sep	1972	19 Sep

F1312-410390 F
f=37,81



SOLE TRADER
Date of issue: 06.02.11

D.C.I-2423-T (P), 2750-2CP
 DRG. VETTED BY DRG. *HA*

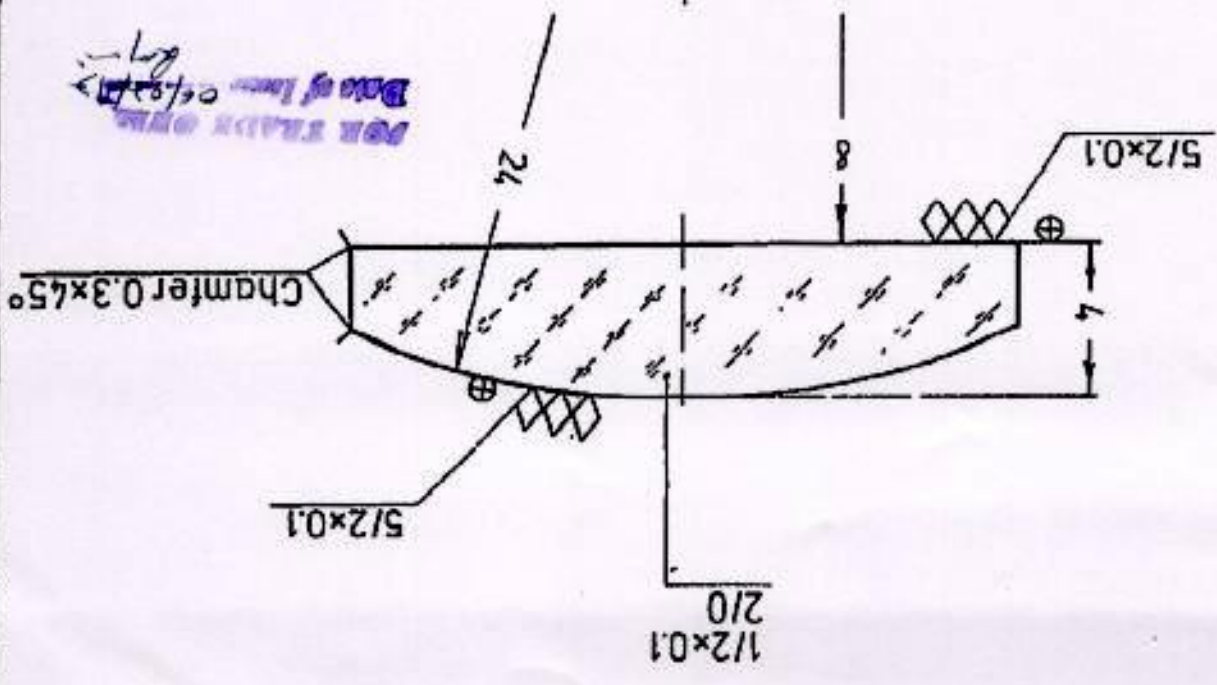
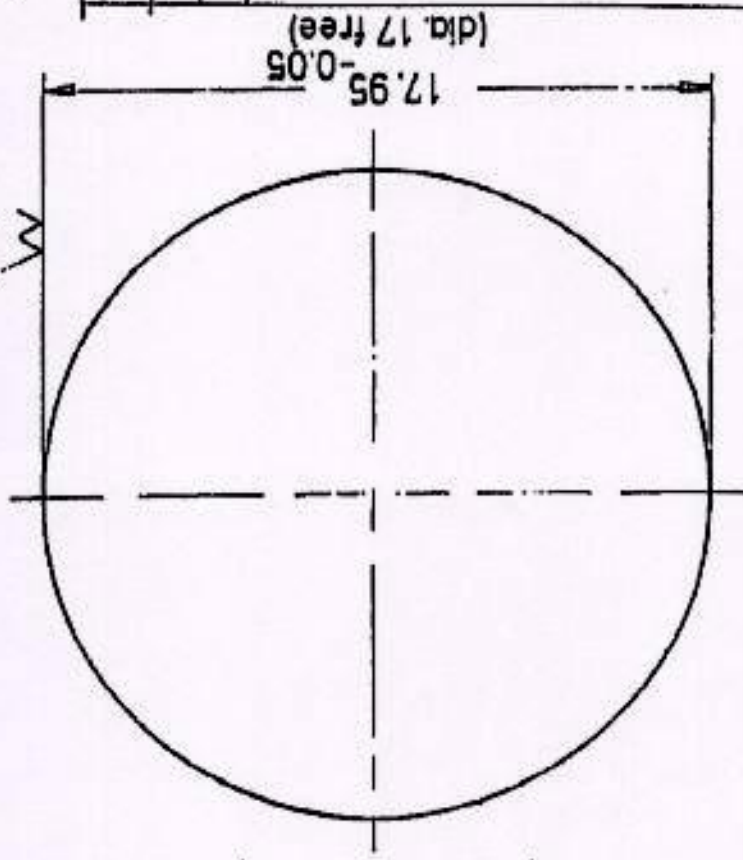
Project Group	PKV 17.95/46.44
Scale	5:1
Sheet No.	BK 7-517642
Author	Chr Beck & Söhne KG
Date	2006

Project Group	PKV 17.95/46.44
Scale	5:1
Sheet No.	BK 7-517642
Author	Chr Beck & Söhne KG
Date	2006

Project Group	PKV 17.95/46.44
Scale	5:1
Sheet No.	BK 7-517642
Author	Chr Beck & Söhne KG
Date	2006

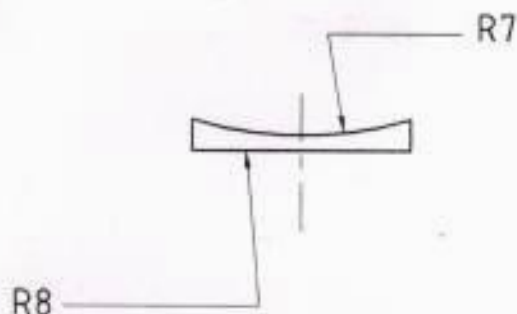
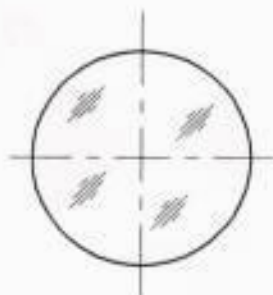
AMENDMENTS	
DRG. NO.	DATE
D.C. 2423-T (P)	11.18.2006
D.C. 2750-2CP	06.12.11

S.H. = 2/537
 S.H. = 6
 f = 46.44



MODIFIED PASSIVE NIGHT SIGHT FOR 12.7 A.D. GUN

LENS NO. IV



LENS No.	GLASS TYPE	Nd	V	R7	R8	CENTRE THICKNESS	CLEAR APERTURE	DIA
IV	SF-10 728284	1.72826	28.41	53.63 CAVE	5350.0 VEX.	2.3	29.2	-0.05 31.2

NOTE:-

THIN FILM COATING WIDE BAND AR COATING FROM 0.5μ WITH TO 0.9μ WITH PEAK AT 0.65μ , 98% MIN. TRANSMISSION.
EDGES TO BE CHAMFERED.

DIMENSIONS ARE IN M/M.

IMPORTANT DIMENSIONS MARKED THUS ●

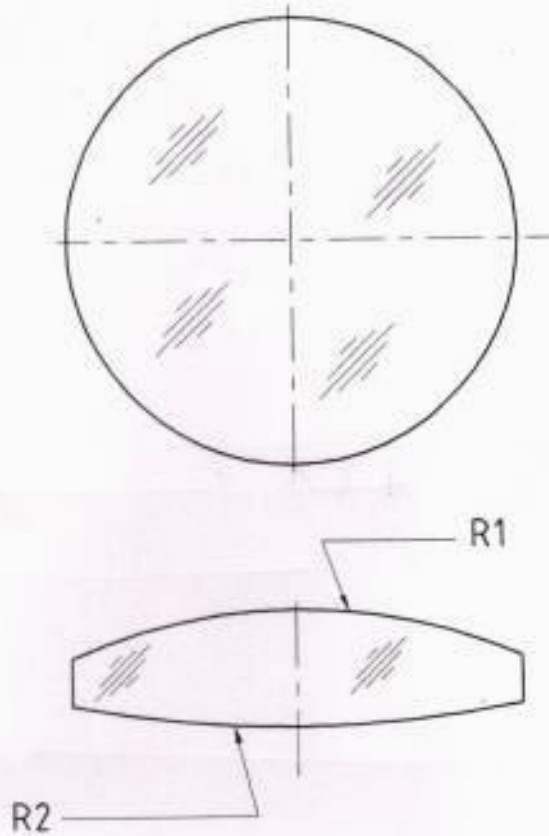
INFORMATION MARKED THUS † TO BE MARKED ON

		DT. 08-12-10	SCALE- 1:1
	DR.- P.C.SINGH	<u>MATL.</u>	<u>TREAT.</u>
	TR.-	AS ABOVE	AS ABOVE
	CH. <i>[Signature]</i>	SHEETS-1	SHTS.-1
	APPROVED.	DRAWING NO- <u>CWC-229/15</u>	
AMENDMENTS.	<i>[Signature]</i>		
OFD/DO/002	JWM/DO. WM/POPDGM/P.		

ORDNANCE FACTORY, DEHRADUN.

MODIFIED PASSIVE NIGHT SIGHT FOR 12.7 A.D. GUN

LENS NO. 1



LENS No.	GLASS TYPE	Nd	v	R1	R2	CENTRE THICKNESS	CLEAR APERTURE	DIA	EFL
1	LAKN7 652585	1.6516	58.52	79.14 VEX	159.7 VEX	16.7	60.0	64.0	83.514

NOTE:-

THIN FILM COATING WIDE BAND AR COATING FROM 0.5μ WITH TO 0.9μ WITH PEAK AT 0.65μ . 98% MIN. TRANSMISSION. EDGES TO BE CHAMFERED.

DIMENSIONS ARE IN M/M.

IMPORTANT DIMENSIONS MARKED THUS *

INFORMATION MARKED THUS † TO BE MARKED ON

	DR. - P.C. SINGH	DT. 08-12-10	SCALE - 1:1
	TR. -	MATL. AS ABOVE	TREAT. AS ABOVE
	CH. <i>[Signature]</i>	SHEETS-1	SHTS.-1
	APPROVED. <i>[Signature]</i>	DRAWING NO -	
AMENDMENTS	<i>[Signature]</i>	CWC-229/7	
OFD/DO/002	JWM/DO. WM/P&P DGM/P. 1		