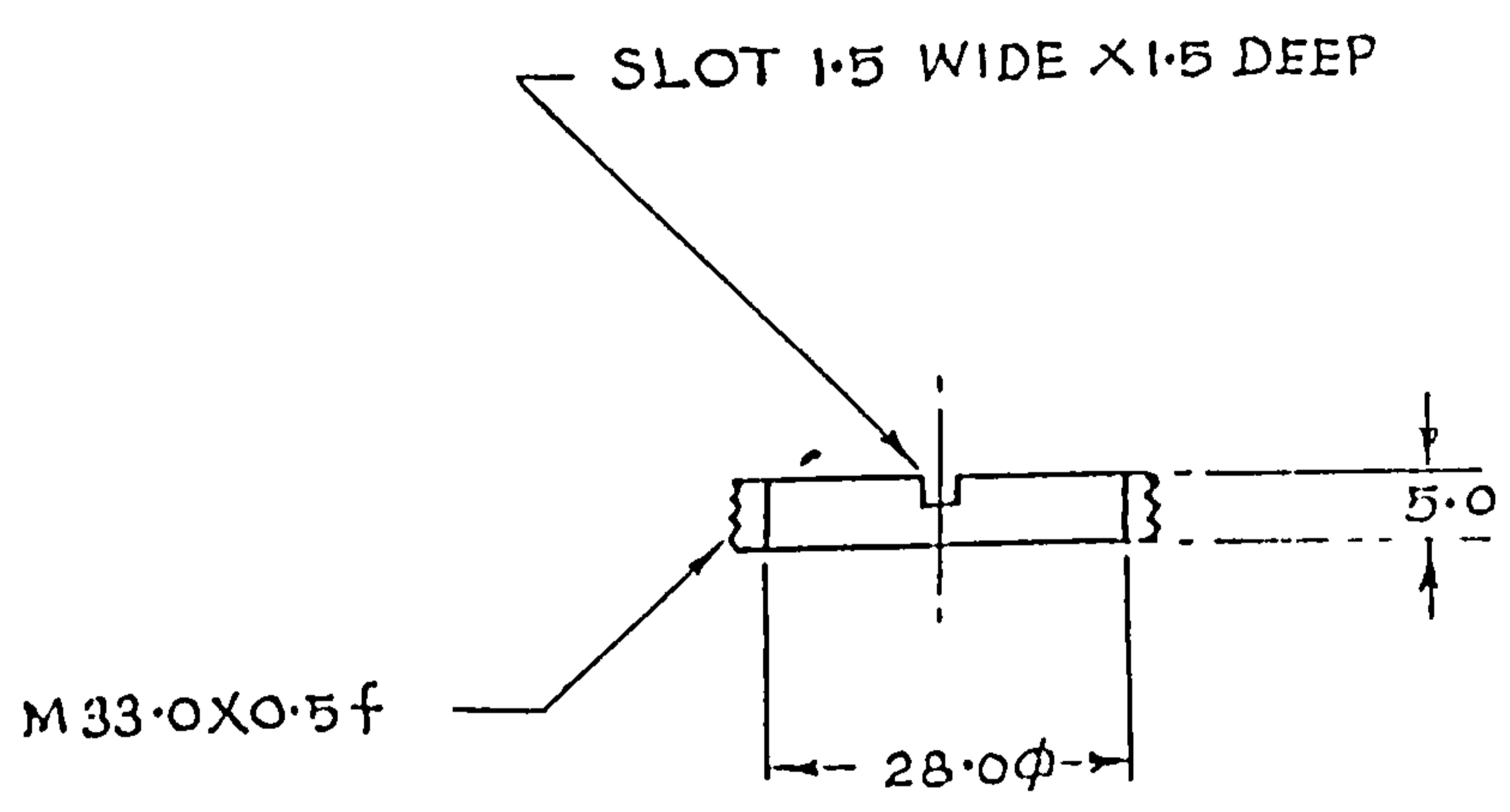
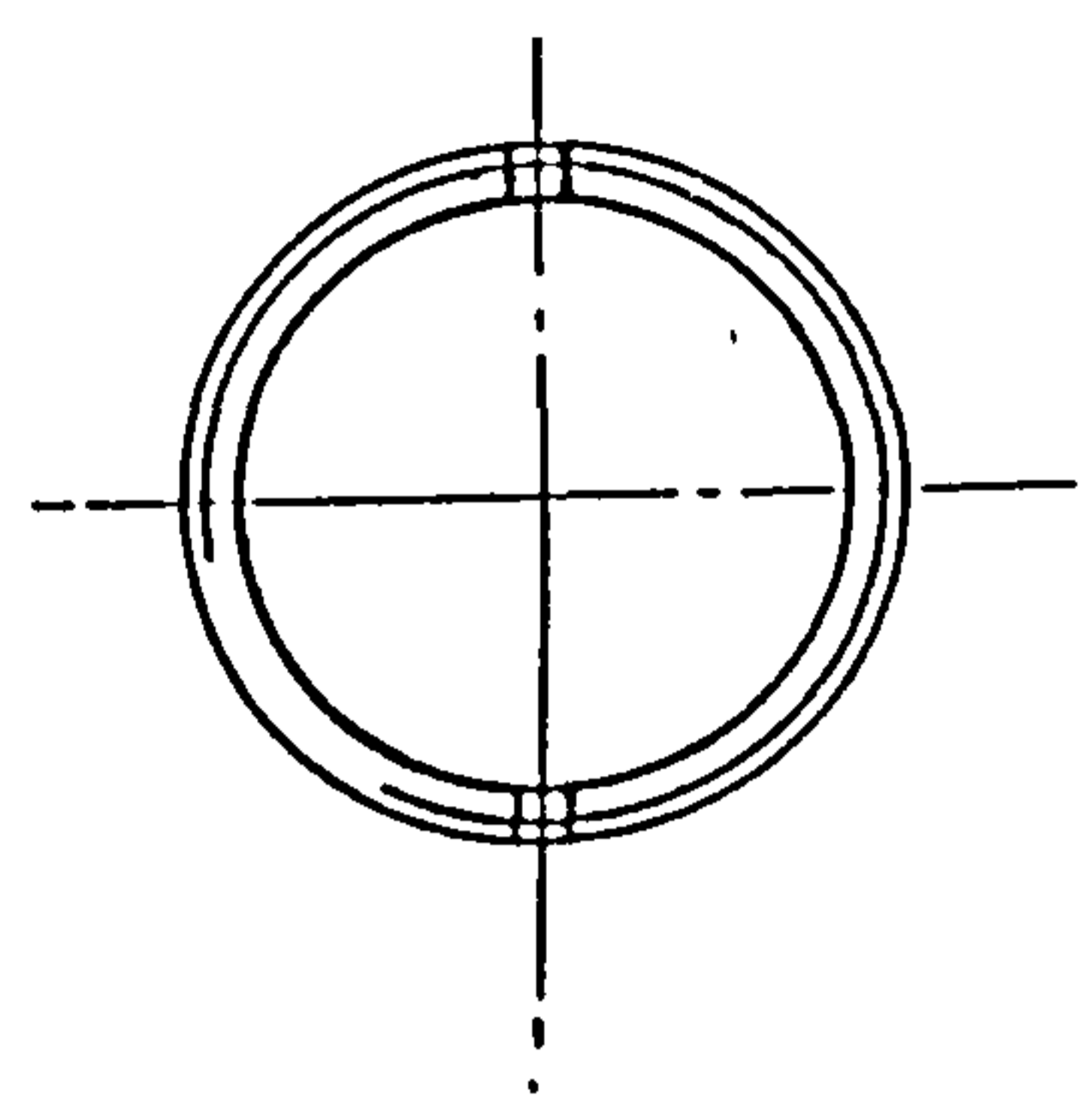


FOR EXPLANATION OF DIMENSIONING ETC., SEE COA(I) GUIDE No. 001 -- 1992
 THIRD ANGLE PROJECTION DIMENSIONS ARE IN MILLIMETRES

5F

VETTED BY *[Signature]*
 I/C QM: *[Signature]*

D.C.(I) :- 0454-I(P), 1939-I, 2929-I, 3511-I, 3749-I, 6105-I



POLYESTER NEGATIVE PREPARED AT COA(I)D.DUN
 PREPARED BY: *[Signature]*
 CHECKED BY: *[Signature]*

DATE: *[Blank]*

DCI:-6105-I:-POLY.NEG. PREPARED & NEW COPY SEALED IN SUPERSESSION OF EXISTING ONE	<i>[Signature]</i>	34 96
DCI) - 3749-I DRG TRACED INCORPORATING ALL THE PREVIOUS AMENDMENTS & SEALED IN SUPERSESSION OF EXISTING ONE.	<i>[Signature]</i>	5.5.78
AMENDMENT	SIG	DATE
MATL:- BRASS Gde-HT2 COND'M' TO IS:320-1980		
FINISH:- BRONZED BLACK DULL TO IS:1378-1979		

DRAWN	TRACED	APPROVED <i>[Signature]</i> FOR DIRECTOR IRDE DEHRA-DUN
<i>[Signature]</i>	<i>[Signature]</i>	
CHECKED		
<i>[Signature]</i>	<i>[Signature]</i>	
SCALE:-1:1	DATE:-22.4.68	
DRG. NO. IRDE 335/7		
CAT/PART NO 5340-002414		
SHEETS	SHEET	

RING, LOCKING