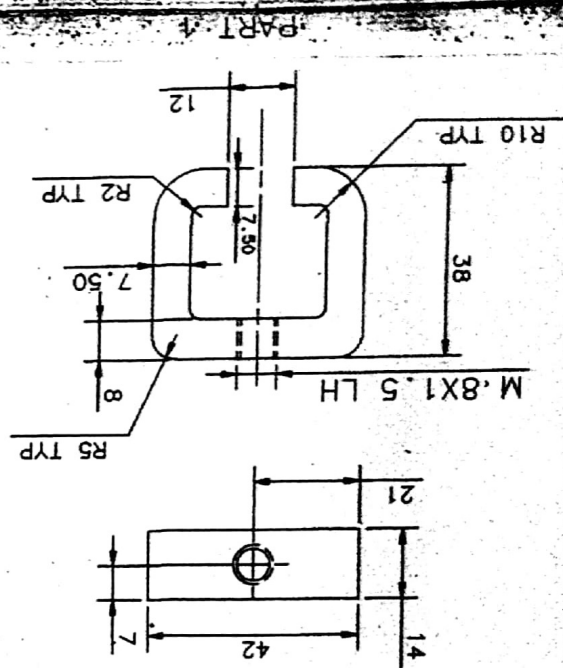
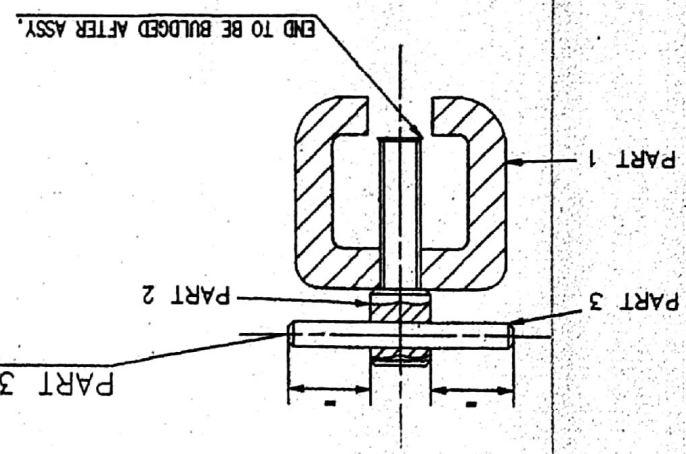
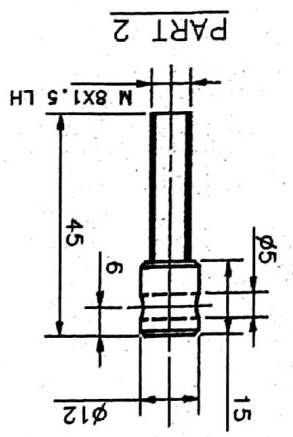
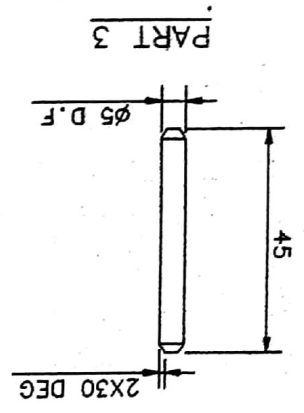


RIFLE 7.62 mm GHATAK		REF. SK 9763	
DRG. NO.			
ORDNANCE FACTORY BOARD RIFLE FACTORY ISHAPORE		SCALE	1:1
TOOL ADJUSTMENT SIGHT (LEFT/RIGHT)		DRN.	
OPERATION NO.		DGN.	SUD:PTA 29-15
TITLE OF TOOL		DATE	2015
MATERIAL		ALL DIMENSIONS ARE IN mm.	
		IMPT. DIMS. ARE MTD. THUS ⊕	
		INFN. MTD. THUS + TO BE MTD. ON	



MATERIAL: FOR PART 1 - EN9
FOR PART 2 - STANDARD AS SCREW
FOR PART 3 - EN9



PART 3 IS IN D.F WITH PART 2

RECEIVED / CERTIFIED COPY OF
DRAWING / DATE / FOR CHECK / THIS DATE 08.02.15
CDD
RIFLE FACTORY, ISHAPORE