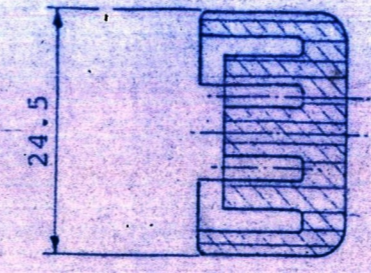
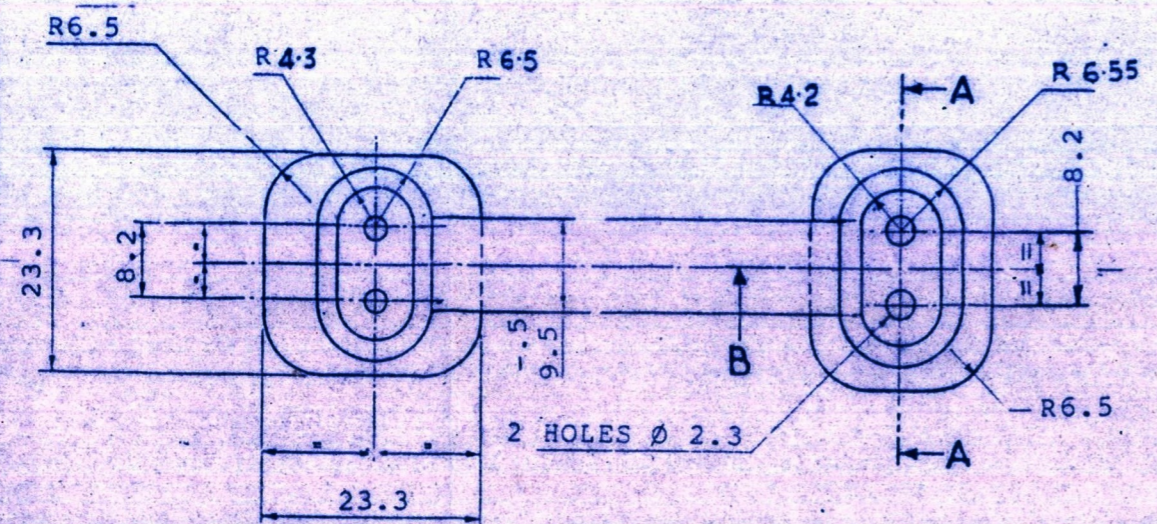
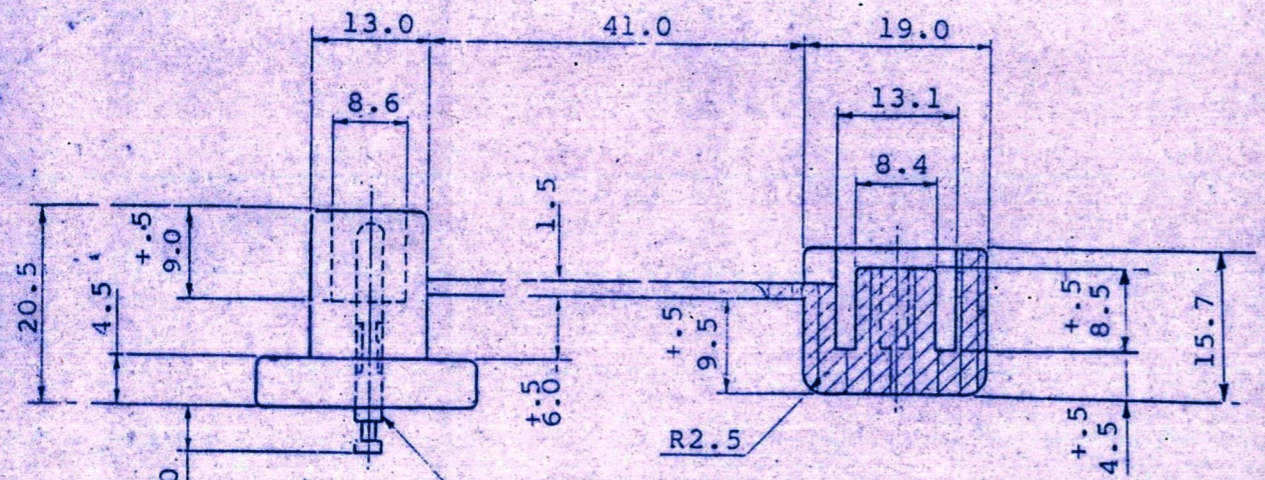


D.C.-33209-A, 5818-I.

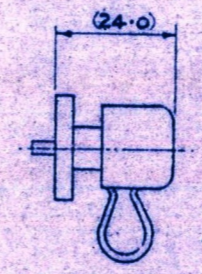
REDUCED DRG. PREPARED AT CQA(I) DEHRA DUN  
 PREPARED BY : *2nd year*  
 CHECKED BY : *352209*



SECTION 'A A'



PART SECTION  
 CQA(I)408/5 (SHT-2)  
 TO BE INSERTED WHILST  
 MOULDING.



ACTUAL SIZE

MATERIAL:-  
 VULCANIZED NATURAL RUBBER TO SPEC.  
 TO SPEC. IND/ME/584(e)  
 CLASS 'D'

TITLE:-  
**PLUG TESTING DEVICE**

AMENDMENTS	CHD	SIG	DATE
D.C.-5818-I: DRG. REDUCED & SEALED IN SUPERSESSION OF IUX-21 SA.			20.1.94

FOR EXPLANATION OF DIMENSIONING ETC, SEE CQA(I) GUIDE No 001-1992. THIRD ANGLE PROJECTION DIMENSIONS ARE IN mm	DRN	sd	APPROVED
	ICD	sd	FOR
MATERIAL & SPEC:-  AS ABOVE	CHD	sd	CONTROLLER
	CHD	sd	CQA (I) D.DUN
FINISH & SPEC:-	USED		DATE: 19.1.94
	ON		
SCALE 1 : 1 SH 1 OF 2	BASED		IUX 21 SA
	ON		
CAT/PT No	DRG		
	No.		CQA (I) 408/5