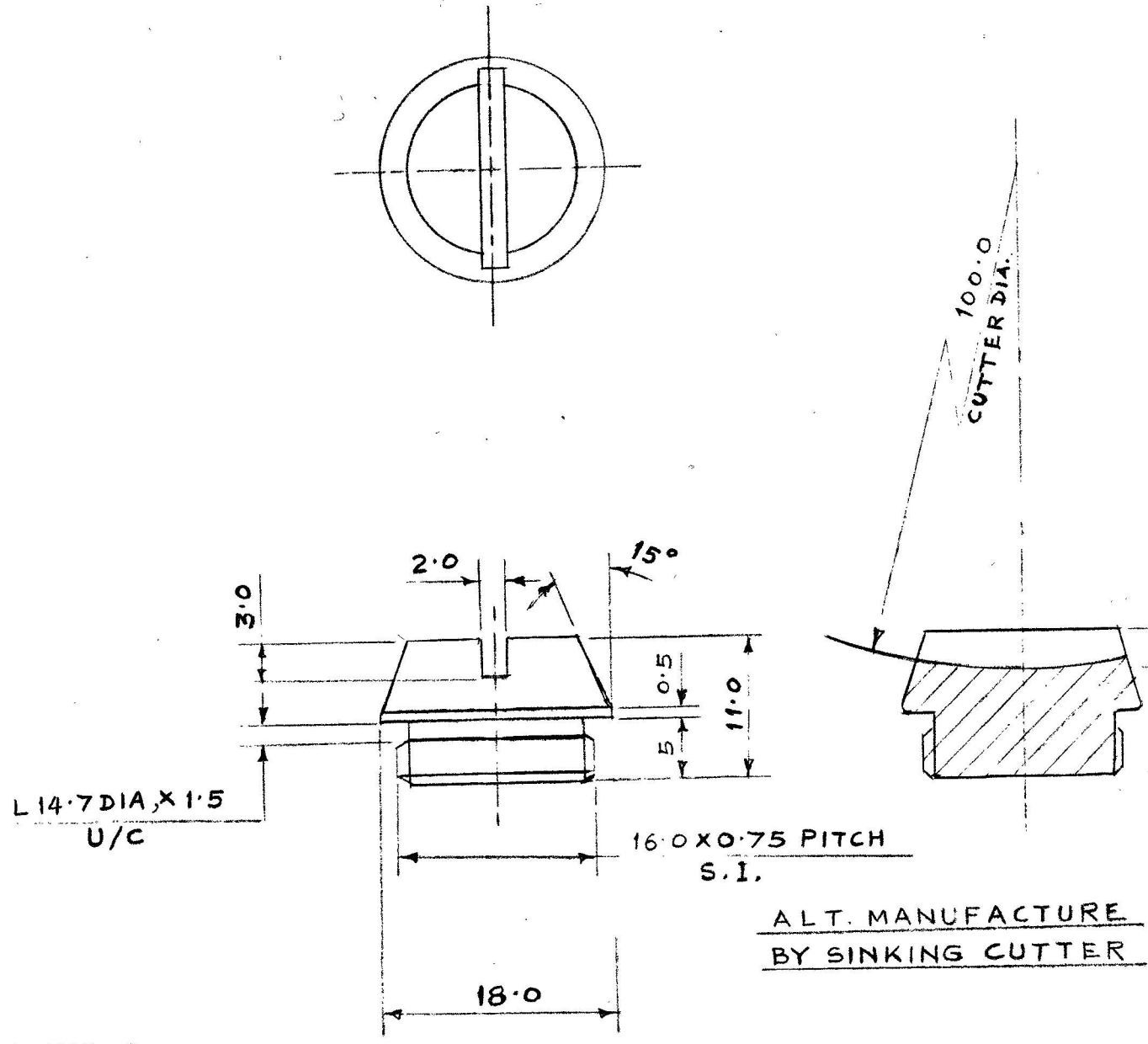


PART No.	FOR EXPLANATION OF DIMENSIONING ETC., SEE ARDE NOTE SHEET No.		
	THIRD ANGLE PROJECTION. DIMENSIONS ARE IN MILLIMETRES.		
GEN. TOL.:- ± 0.10 UP TO 10			
DIMN	TOL.		
10 TO 18	± 0.135		

THREADS TO CONFORM TO SPEC. B.S. 1055 MEDIUM FIT.



DRAWN BY: [Signature] CHECKED BY: [Signature] TRACED BY: [Signature] TRN. CHD. BY: [Signature]

ASSY. DRG. ARDE 1158/1			
INSP. INSTRS.			
2-5-03	-	-	RETRACED WITHOUT CHANGES
21-5-77	A.L. 298	E. 243	AMENDED VIDE AL. No. 298
6-11-70	-	-	RETRACED WITHOUT CHANGES
PREVIOUS AMENDMENT No. A/62 & A/194 DT. 2-11-70			
DATE	AUTHORITY	ZONE	NATURE
AMENDMENTS			SIG.
SEALED:-			APPROVED
MATERIAL:- AL ALLOY TO BS. 1476 HE 15 W OR B.S. 1474:1969 HE. 15 TB			sd FOR DIRECTOR
PROTECTIVE FINISH:- ANODISED TO SPEC. DEF. 151 TYPE 1			DATE:- 5-3-63
ESTIMATED WEIGHT:-			ARDE 1158
SCALE:- 2:1			DETAIL No. 7
PLUG TRANSIT			PART No.
			A.R.D.E. PASHAN, POONA-21