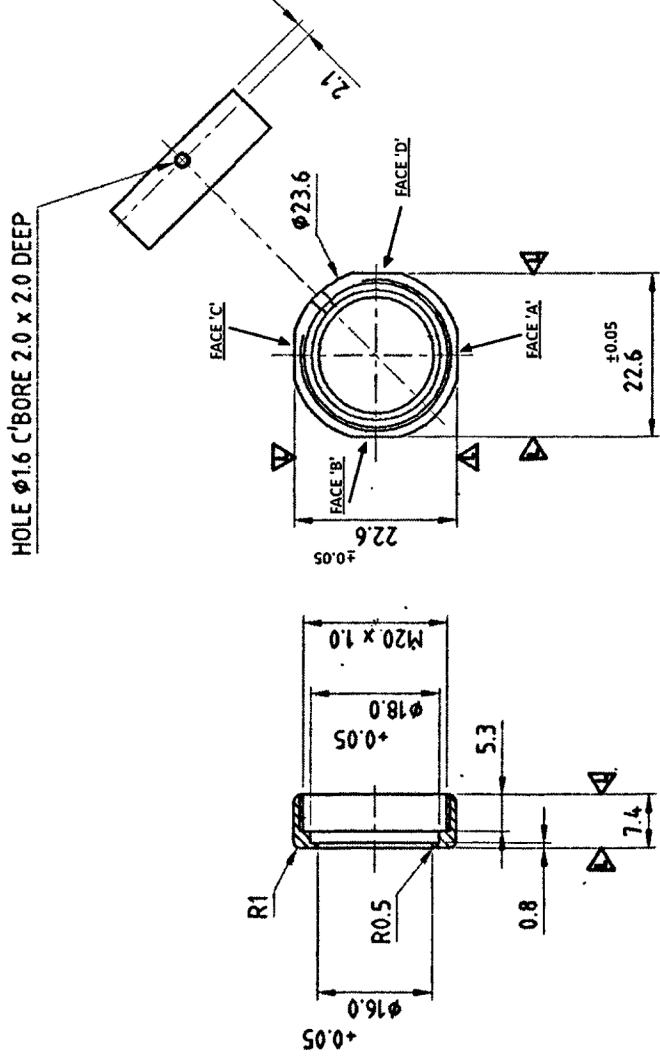


CELL, GRATICULE



TO EACH OTHER (TOLERANCE  $\pm 5$  MINUTE).

NOTE :-

1.  $\nabla$  MARKED SURFACES TO BE LAPPED.
2. FACE 'A' AND FACE 'B', SHOULD BE PERPENDICULAR TO EACH OTHER (TOLERANCE  $\pm 5$  MINUTE).
3. FACE 'C' AND FACE 'D', SHOULD BE PERPENDICULAR TO EACH OTHER (TOLERANCE  $\pm 5$  MINUTE).
4. FACE 'A' AND FACE 'C' SHOULD BE PARALLEL TO EACH OTHER (TOLERANCE  $\pm 5$  MINUTE).
5. FACE 'B' AND FACE 'D' SHOULD BE PARALLEL TO EACH OTHER (TOLERANCE  $\pm 5$  MINUTE).

MATL. & SPECN. :- AL. ALLOY HE-15 IS: 733 WP

FINISH:- ANODISED DULL BLACK AC15 IS:1868-1982

DIMENSIONS ARE IN M/M.

IMPORTANT DIMENSIONS MARKED THUS ●  
INFORMATION MARKED THUS † TO BE MARKED ON

DT. 25-01-13		SCALE - 1:1
MATERIAL		IREAL.
AS ABOVE		AS ABOVE
SHEETS-1		SHTS.-1
DRAWING NO. <u>CWC/229/28/2</u>		
DR.- P.C.SINGH		
TR.-		
CH.		
D.A. No.-37/2016 Dt.-17/11/2016	APPROVED.	
D.A. No.-02/2013 Dt.-04/02/2013	JWM/DB.	
AMENDMENTS.	WM/P&P	
OFD/DO/002		