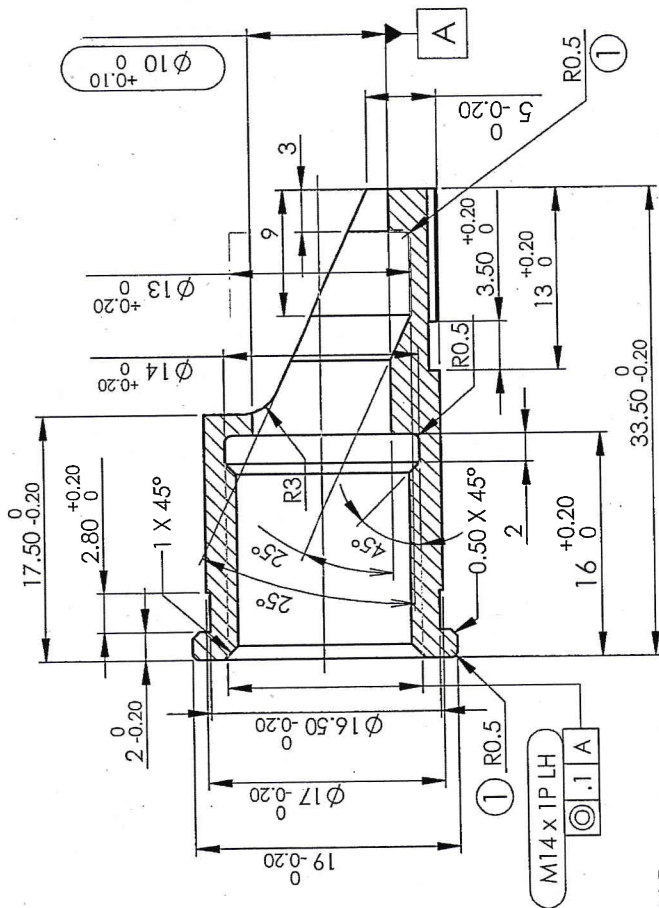
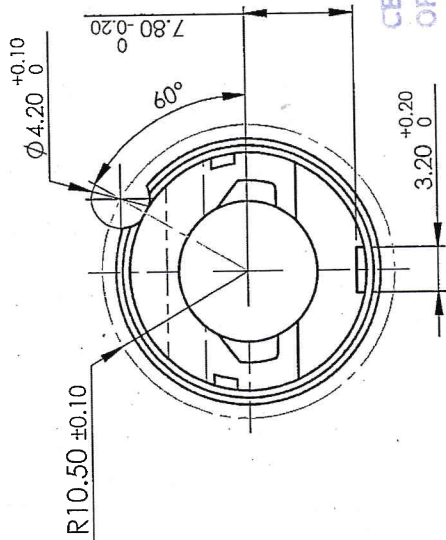
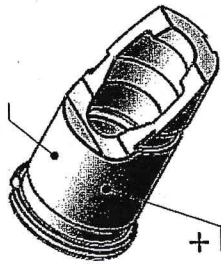


Element	C	Mn	Si	Ni	Mo	Cr	S	P
Min	0.3	-	-	1.5	-	-	-	-
Max	0.6	0.5	0.5	2.5	0.5	0.5	0.05	0.05



MARKING:
 * Manufacturer Code
 + Batch / Year of Manufacture
 Engraving Depth 0.1mm & Height 2.5 mm



ON CONTROLLED COPY

Material:	MIM 4605	3rd Angle	DRAWN	SIGN	DATE
Hardness:	300-360 HV	CHECKED			
Finish:	Manganese Phosphated	HOS/D&DO			
	Un tollerated dimensions IS:2102 Medium	OFFICER/Prodn			
		OFFICER/QC			
		DIV.OFFICER/DDO			

SUB: Compensator		Do not scale Drawing
FOR: General Assy.		QPG
OF TIRUCHY ASSAULT RIFLE		Wt. (Appx) gm
DWG. MIM-K-1021-01		SHEET: 1 OF 1
No.:		
ORDNANCE FACTORY TIRUCHIRAPPALLI-16.		

① DA.No.23/21
 Dt.23/3/21
 AMENDMENTS & DATE

SIG: [Signature]