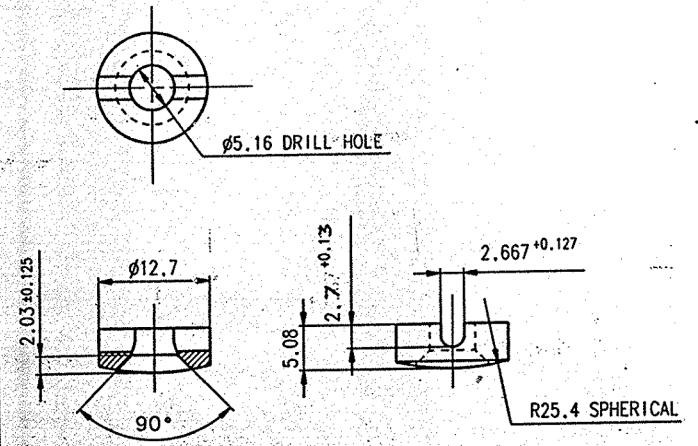


DRG. NO. 29 P 0044

DIMENSIONS ARE IN mm.
 UNTOLERATED DIMNS. AS PER IS : 2102 (MED)
 IMPORTANT DIMNS. MARKED THUS
 MARK DRAWING No.



FINISH:-
 PHOSPHATE TO SPECN WPN/GEN/3 CLASS II
 PAINT TO SPECN. DEF. 1407 WITH GLOSSY FINISH

MATERIAL:- BS 970 PT. 1 1983, Gr 07D M20
 COLD DRAWN

ASSY. DRG. NO. GENERAL ASSY. - SP 1/70

ITEM NO.	DESCRIPTIONS	NO OFF	MATERIAL	TREATMENT	REMARKS
1		1	AS ABOVE		
	SIGNATURE & DATE	SUB: CAP SLING			SCALE N.T.S
	TRACED <i>[Signature]</i>	FOR: 0.315" SPORTING RIFLE			STORE DRG. NO.
	DRAWN	DES. REF. NO. SP-44			OPERATION NO.
	CHECKED <i>[Signature]</i>	DRG. NO. 29 P 0044*			
	VOIC / DDO V. Valluradun	ORDNANCE FACTORY TIRUCHIRAPPALLI-16.			SHEETS: 1
	OFFICER PRODN.	DIV. OFFICER			SHEET NO. 1
	OFFICER D&DO	APPROVED ON. 11/04			

DA. No. 8996/14
 DDO/01
 29.5.09
 SIGNATURE & DATE