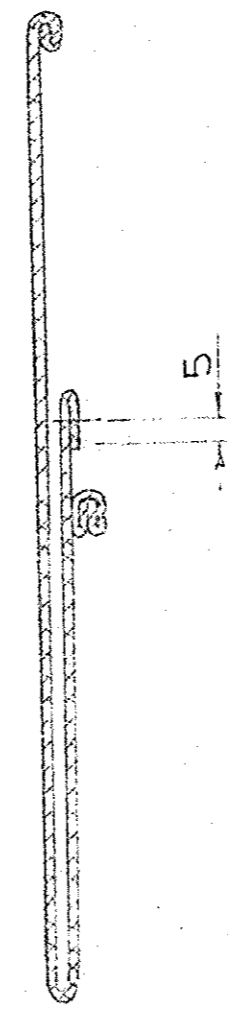
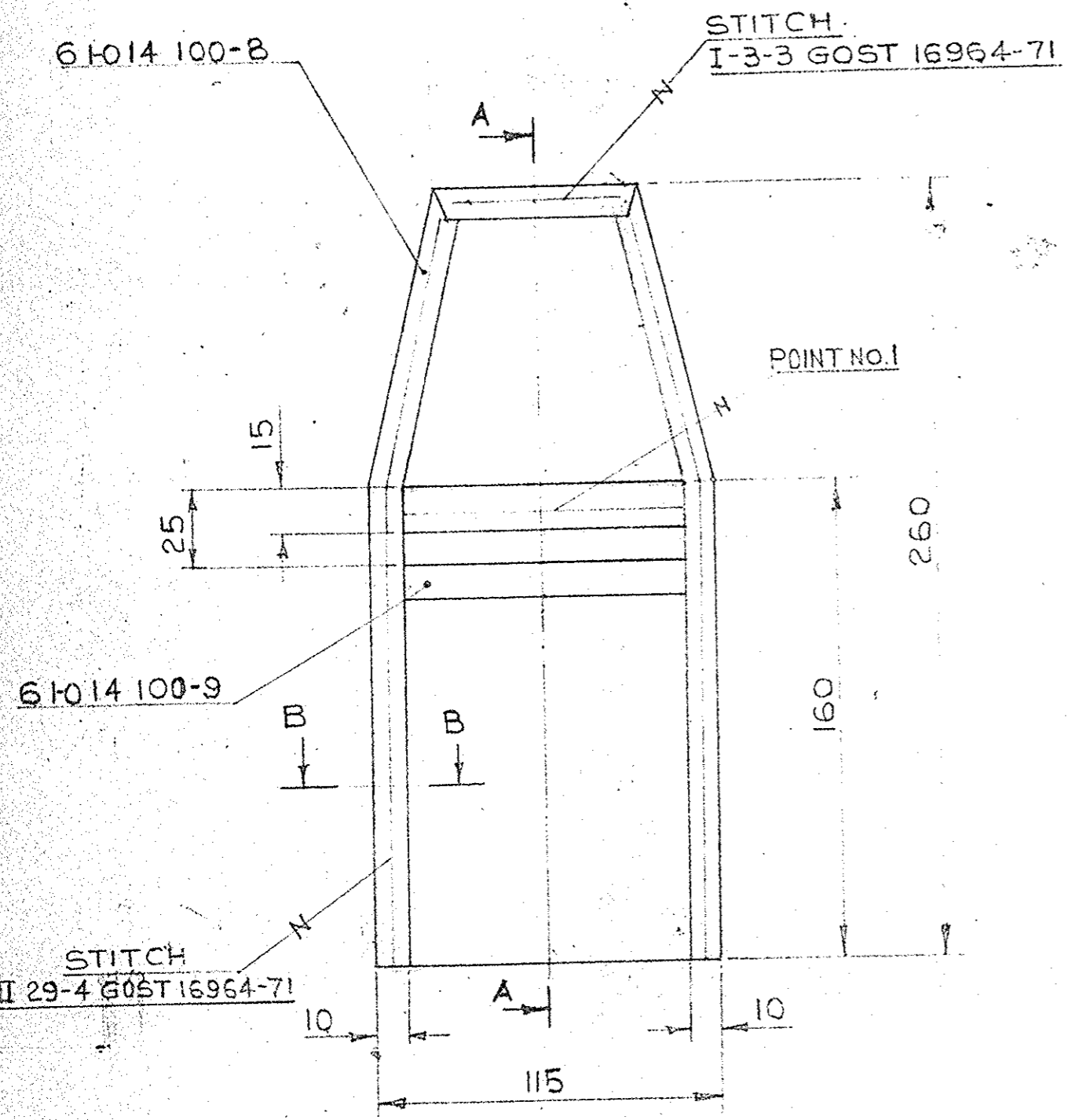


DRAWING CONVENTIONS CONFORM TO IS: 696.

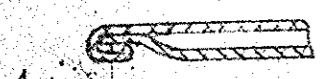


SECTION A-A

NOTE:-
 COTTON SEWING THREAD 'SUPER STRONG' 107, GLOSSY NO. 0, GOST 6309-80, NOT LESS THAN 12 STITCHES PER 50 m m IN A SEAM.

THE REST OF THE REQUIREMENTS ARE AS PER 6011 SPECIFICATION.

MATERIAL FOR INDIA:-
 SEWING THREAD COTTON 270
 DTEX X9V NO.35 TO SPECN. IS: 1720-78



SECTION B-B

REPRODUCED COPY OF THE STORE
 GROUP DRG/SCHEDULE/
 SHEET/SPECIFICATION
 CQA (SA) ICHAPUR
 DATE: 21/9/98
 C.D.

				DATE		NAME		ASSY. 8460-000019		CQA(SA) ICHAPUR	
				DGN		DRN		MATERIAL:-		APPROVED:-	
				CHD		TRD		DIMENSIONS ARE IN m m.		LT COL	
				COMP						DT. 24.9.90 FOR CQA(SA)	
23616-16-12-96		SA		ASSEMBLY NO. AMENDED		DAC		DT. 24.9.90		DESIGNER'S REF.	
21421-5.10.91		SA		MATERIAL FOR INDIA ADDED		LT COL		SCALE: -1:2		61014 C0100-306	
20963-23-10-90		SA		DRG. SEALED PROVISIONALLY		LT COL		SEALED - PROV.		D'S CAT. NO.	
-SA				BRIEF RECORD		SIG.		DC (I) 20963-SA DT. 23-10-90			
AUTHY		DATE		ZONE							

INDIVIDUAL POCKET
 MAIN SUPPLY

A-9
 4