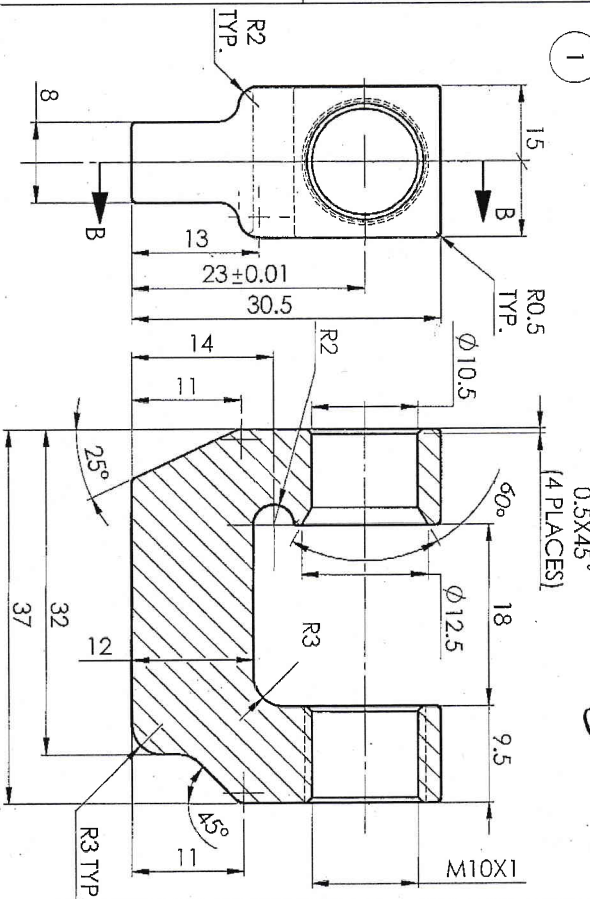
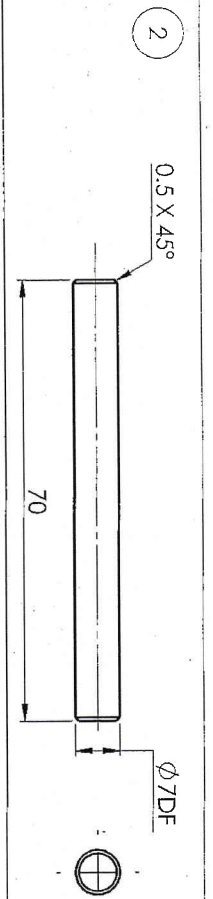
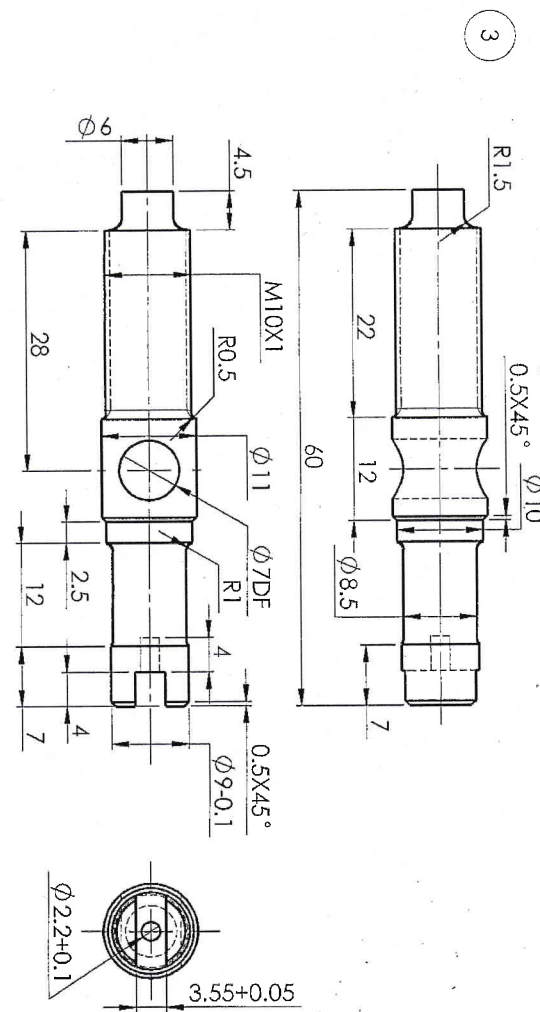
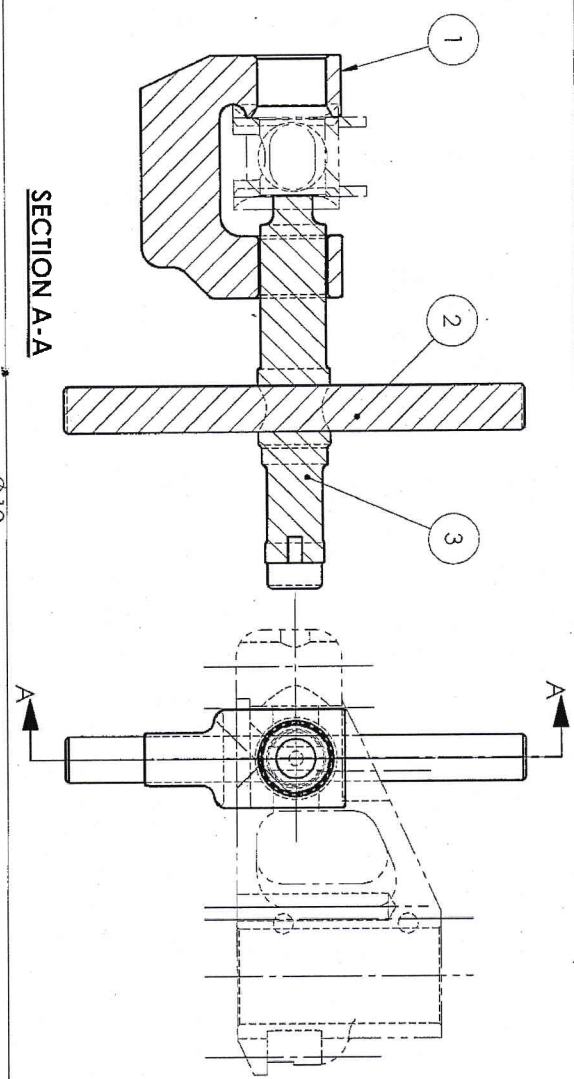


UN CONTROLLED COPY  
 CERTIFIED CORRECT COPY OF APPROVED  
 DRAWINGS AT THIS DATE: *bbl/5m*  
 DESIGN DRAWING OFFICE,  
 ORDNANCE FACTORY, TIRUCHIRAPPALLI-620 016.



ITEM NO.	DESCRIPTION	QTY.	MATERIAL	REMARKS
1	TOOL BODY	1	En-8	290-350 HV
2	TOOL HANDLE	1	En-8/En-9	290-350 HV
3	TOOL HANDLE ADJUSTMENT HEX.SCREW	1	En-8/En-9	290-350 HV

Material:		SUB: TOOL FOR ADJUSTING FRONT SIGHT	
Alt. Material:		DWG Details	
Hardness		SIGN	
Finish		DATE:	
Un toleranced dimensions		FOR:	
IS2102 Medium		PROJ.: 7.62mm TAR	
		Design Ref	
		DWG. No.:	
		TAR-K-9025	
		ORDNANCE FACTORY	
		TIRUCHIRAPPALLI-16.	
		WT. (Approx)	
		SHEET: 1 OF 1	

BLUNT ALL SHARP EDGES TO R0.5  
 PROTECTIVE FINISH:  
 PHOSPHATING TO SPECN-0465-01-1994 CLASS II OIL FINISH