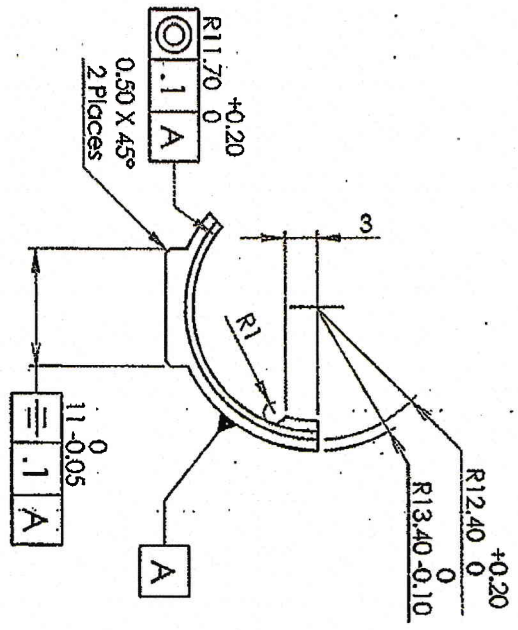
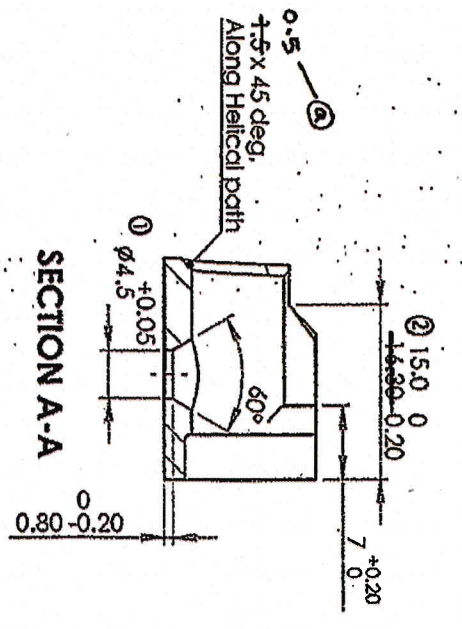
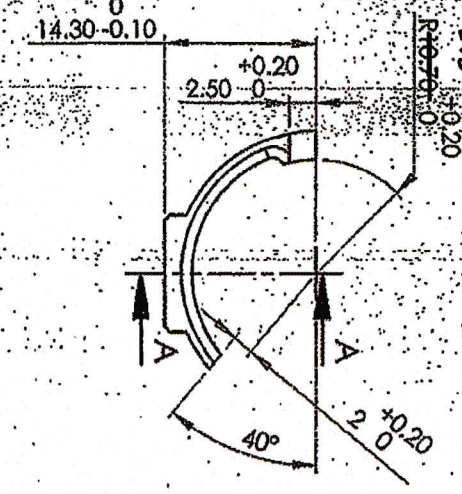
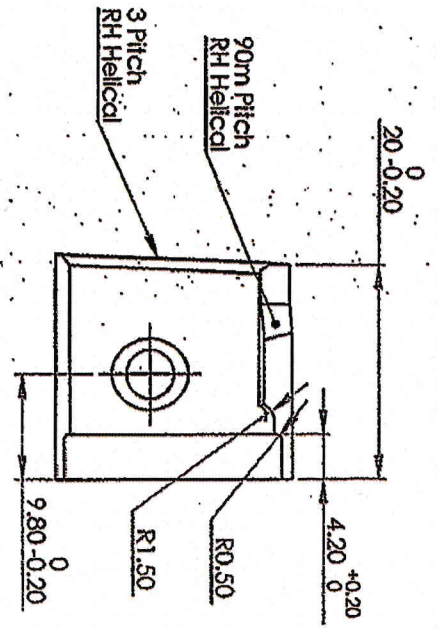
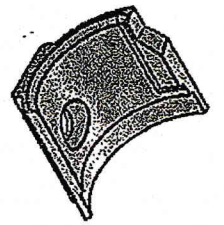


**CERTIFIED CORRECT COPY
OF APPROVED DRAWINGS
AT THIS DATE.....**

01.04.2021

Design & Drawing Office
Ordnance Factory,
Tiruchirappalli-620016



Material:
Steel BS:970 P.1 1983 Gr.817 M40 (or) En-24
Steel BS:970 P.1 1983 Gr.826 M31 (or) En-25
Steel BS:970 P.1 1983 Gr.826 M40 (or) En-26

Note:
Item to be supplied without Heat treatment

Unalloyed Dimens. as per IS:2102 (MED)

①	AMENDMENTS & DATE	SIG.	APPROVED ON. 27/04/2018
②	Dimn. Added DA.No. 19/18	29.06.18	<i>[Signature]</i>
③	Dimn. Amended DA.No. 07/19	05.01.19	<i>[Signature]</i>
④	DA.No. 38/20		<i>[Signature]</i>
⑤	DA.No. 11/20		<i>[Signature]</i>
⑥	Dimn. Amended DA.No. 07/19	05.01.19	<i>[Signature]</i>
⑦	Dimn. Added DA.No. 19/18	29.06.18	<i>[Signature]</i>
⑧	AMENDMENTS & DATE	SIG.	APPROVED ON. 27/04/2018

TRACED	SIGNATURE & DATE	SUB: Bullet Guide	SCALE
DRAWN		FOR: Receiver Assy	NTS
CHECKED		OF: TRICHY ASSAULT RIFLE	QPG
OIC/D&DO		DES. REF. NO. K-1101	1
OFFICER/PRODN.		DRG. No.:	Weight (g) 8.34
DIV. OFFICER/D&DO		ORDNANCE FACTORY TIRUCHIRAPPALLI-16.	SHEETS: 1
			SHEET No.: 1

UN CONTROLLED COPY