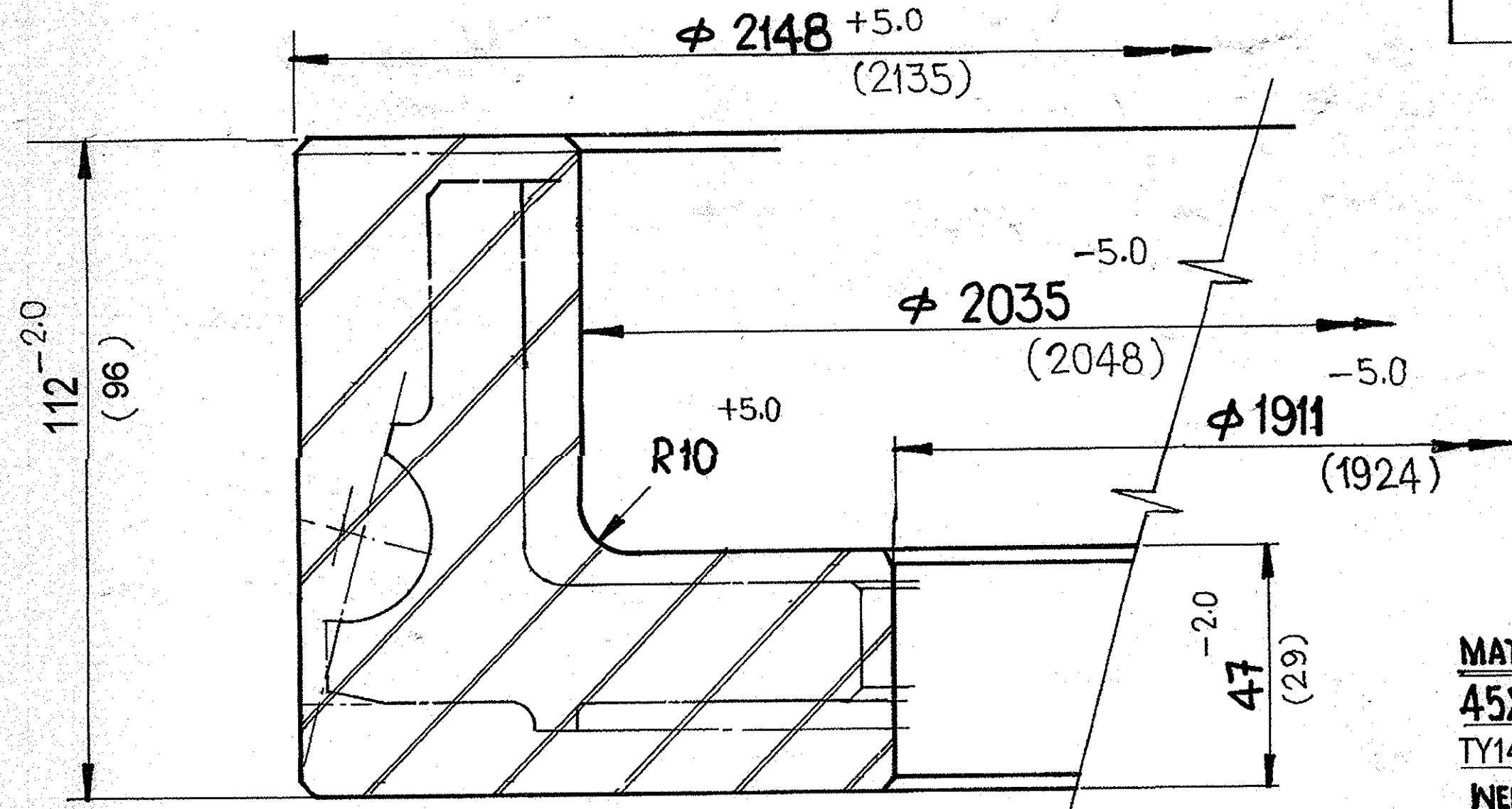


PART NO.
188.12.002/F

ISS	MODIFICATION	DATE



MATERIAL
45XHM
TY14-102-182-98
WEIGHT : 512 KGS APPROX.

T-90'S

NOTE

FORGINGS ARE TO BE SUPPLIED IN ROUGH MACHINED CONDITION.
ALL TECHNICAL REQUIREMENTS SHOULD CONFIRM TO TY14-102-182-98.
MACHINING DIMNS ARE SHOWN IN BRACKETS.
ALL DIMNS ARE IN MM.

SCALE	COMPONENT ~ T-90'S		FG. WT	MATERIAL
NTS	RING RACE UPPER		512 kgs APPROX.	45XHM TY14-102-182-98
THIS DRG IS USED WITH J&T D.O. SPECN. II JT ISS. NIL				H.V. FACTORY, AVADI
DRN.	CHD.	APPD.	PART NO.	
<i>[Signature]</i> 21.01.04	<i>[Signature]</i> 21.01.04	<i>[Signature]</i> 21.01.04	188.12.002/F	
BLANK SIZE FOR RING RACE UPPER				