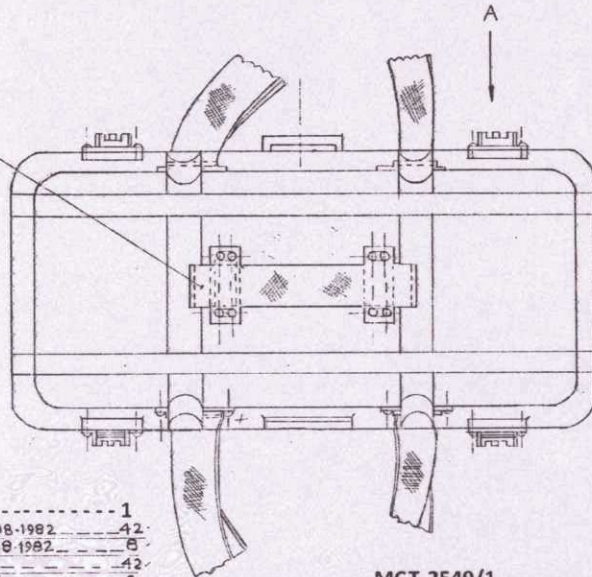


STRAP WEB COTTON VOD 06 COLOUR 38.0 WIDE X 2.5 THICK 225 LONG ----- 1
(CAT NO H-2/B305-000267)



MCT-1636/1 ----- 2

MCT-1637/1 ----- 2

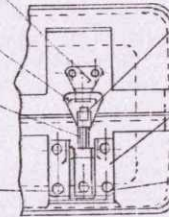
MCT-1380 ----- 2

MCT-1370 ----- 2

MCT-1646/1 ----- 2

MCT-1376 ----- 2

MCT-1375 ----- 2



PART VIEW IN DIRECTION OF ARROW 'A'

MCT-2008 ----- 1
RIVET SNAP HEAD STEEL Ø2.0 X 7.0 IS: 2998-1982 ----- 42
RIVET SNAP HEAD STEEL Ø 2.5 X 14.0 IS: 2998-1982 ----- 8
PUNCHED WASHER M2.2 IS: 2016 BRASS ----- 42
PUNCHED WASHER M2.5 IS: 2016 BRASS ----- 8

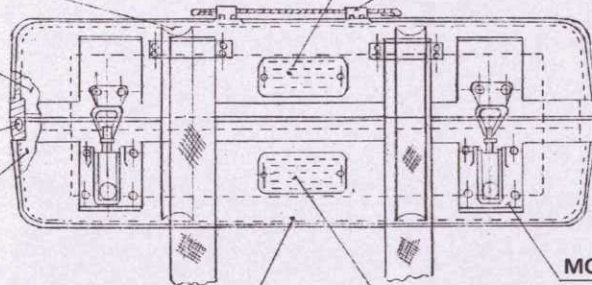
MCT-2549/1 ----- 1
(TO BE RIVETED ON ASSY)
RIVET SOLID SNAP HD. BRASS Ø 2 X 7 LG. 16: 2907 ----- 2
WASHER FLAT PUNCHED TYPE BRASS M2.5 IS: 2016 ----- 2

STRAP WEB COTTON VOD 06 COLOUR 38.0 WIDE X 2.5 THICK X 1500 LG ----- 2
(CAT NO H-2/B305-000267)
BUCKLE BRASS QUICK RELEASE 38.0mm ----- 2
(CAT NO CN/B315-000036)
TIP BRASS 38mm ----- 2
(CAT/NO/CN/AA 1684)
EVE LET BRASS ----- 4
(CAT/A NO 8315-000046)

MCT-1679/1 ----- 1
(TO BE GLUED WITH LID)

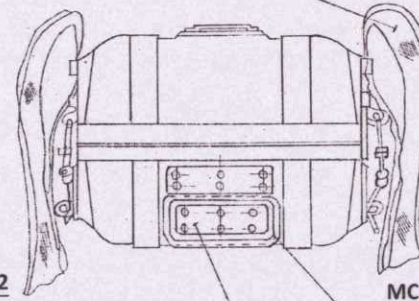
O-RING OF SYNTHETIC RUBBER
NITRILE VARIETY IRHD 51-60
Ø54 X 138 Ø LG ----- 1

MCT-1680/1 ----- 1
(TO BE GLUED WITH BcX)



MCT-1369 ----- 10

MCT-1617/1 ----- 2



MCT-1641/1 ----- 2
(OR BEST COMMERCIAL HANDLE)

MCT-2007 ----- 1
RIVET SNAP HEAD STEEL Ø 2.5 X 6.0 IS: 2998-1982 ----- 16
RIVET SNAP HEAD STEEL Ø 2.0 X 8.0 IS: 2998-1982 ----- 24
PUNCHED WASHER M2.5 IS: 2016 BRASS ----- 16
PUNCHED WASHER M2.2 IS: 2016 BRASS ----- 24

MCT-2547/1 ----- 1
(TO BE RIVETED ON ASSY)
RIVET SOLID SNAP HD BRASS Ø 2 X 7 LG. IS: 2907 ----- 2
WASHER FLAT PUNCHED TYPE BRASS M2 IS: 2016 ----- 2

MCT-1644/1 ----- 2

FOR TRADE USE
Date of Issue 13/03/2020
Rg

ORDNANCE FACTORY DEHRADUN	DR - SK Thapliyal
	TR -
	CH - Approved
APPROVED	

DRG.No.-
IRDE-2669

CASE CARRYING SIGHT NIGHT VISION 5.56 mm. LMG (INSAS) 101A
ASSEMBLY DRAWING

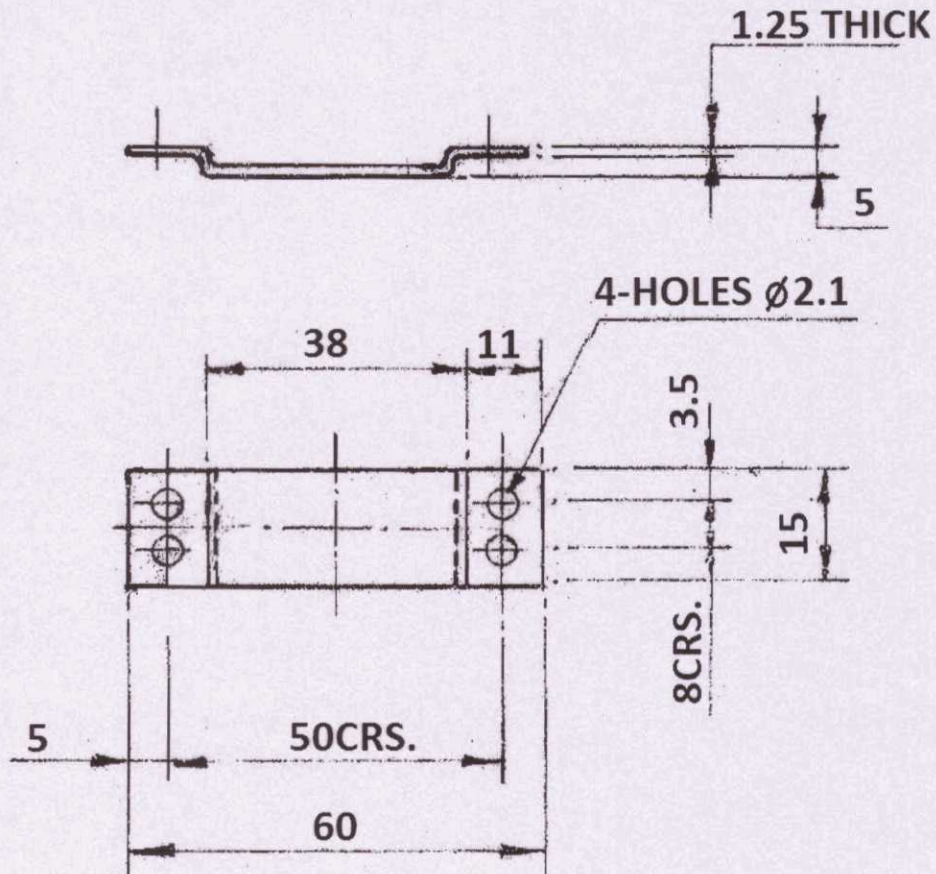
DATE 1-7-02	SCALE 1:2
MATL	TREAT
SEE DETAIL	SEE DETAIL
DRAWING No.:-	
MCT-2015/3	

**CASE CARRYING, FRP OF P.N.S. FOR
84 mm. CARL GUSTAV GUN
CLIP, RETAINING**

DRG. No.-
IRDE-2613/8

MCT-1369

ODR NAINCE FACTORY, DEHRADUN



MATL.- STEEL Gde-HR1 TO IS:1079-2017.

**FINISH :- APPLY PRIMER TO IS:2074-1962 AND THEN PAINTED
(ISC 294 TO IS:5-1978) OF IS:8982-1978 EXCEPT
BEARING SURFACES.**

*FOR TRADE GUN
Date: 13/03/2020*

ALL DIMENSIONS ARE IN mm.

		DT.-18-4-95	SCALE- 1:1
DR - <i>mural</i>		MATL.	FINISH
TR -		AS ABOVE	AS ABOVE
CH - <i>As per</i>		SHEETS- 1	SHEET No.- 1
APPROVED		DRAWING No.-	
D.A. NO.- 30/2018, DT.- 08/12/2018		MCT-1369	
AMENDMENTS			
OFD/DO/002			

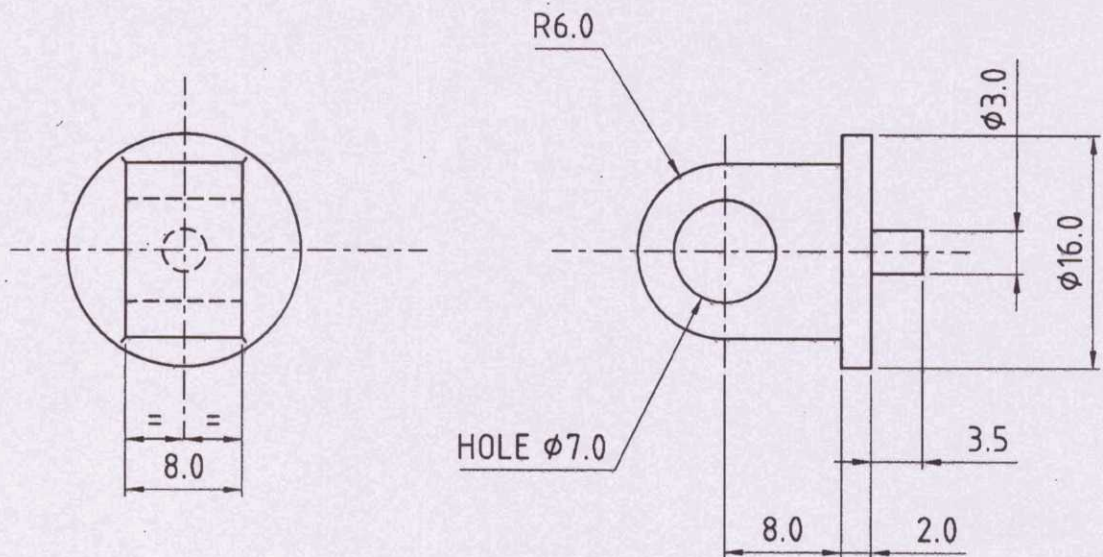
ICD.O
M.L. Temng
AWM/PL-2

**CASE CARRYING, F.R.P. OFP.N.S. FOR 84 mm. CARL GUSTAV, GUN
FASTENER SET, TURN LOCK
EYE, LOCKING**

DRG. No.:-

IRDE-328/5

MCT-1370



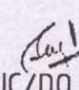
MATL. :-

STEEL IS:1570 (Pt.-2)-1979, STEEL DESIGNATION 30C8.

FINISH :- APPLY PRIMER TO IS:2074-1962 AND THEN PAINTED (ISC-294 TO IS:5-1978) OF IS:8982-1978; EXCEPT BEARING SURFACES.

*FOR TRADE OFF
Date of Issue: 13/03/2020
Ref:*

ALL DIMENSIONS ARE MM.
IMPORTANT DIMENSIONS MARKED THUS ●
INFORMATION MARKED THUS † TO BE MARKED ON.

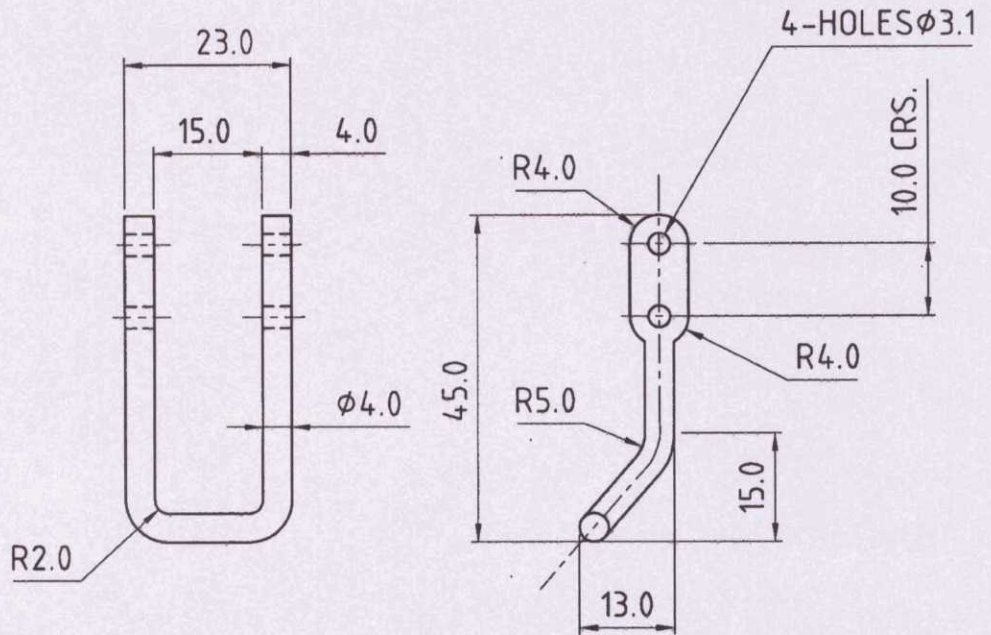
		DT.-25.4.1995	SCALE- 2:1
	DR.- R.K.SHARMA	<u>MATL.</u>	<u>FINISH</u>
	TR.-	AS ABOVE	AS ABOVE
	CH.-	SHTS.- 1	SHT. NO.- 1
D.A. No.-28/2018, DT.-30/11/2018	<p align="center">APPROVED.</p>  IC/DO.	<p align="center">DRAWING No.- MCT-1370</p>	
AMENDMENTS.			
OFD/DO/002			

ORDNANCE FACTORY, DEHRADUN.

**CASE CARRYING, F.R.P. OFF.N.S. FOR 84 mm. CARL GUSTAV, GUN
FASTENER SET, TURN LOCK
HANDLE, CLIP**

DRG. No.:-
IRDE-328/3

MCT-1375



MATL. :-

STEEL IS:1875-1992, CLASS-4, DESIGNATION 45C8.

FINISH :-

APPLY PRIMER TO IS:2074-1962 AND THEN PAINTED (ISC-294 TO IS:5-1978) OF IS:8982-1978 EXCEPT BEARING SURFACES.

*FOR TRADE ONLY
Date of Issue 13/03/2018*

ALL DIMENSIONS ARE MM.
IMPORTANT DIMENSIONS MARKED THUS ●
INFORMATION MARKED THUS † TO BE MARKED ON.

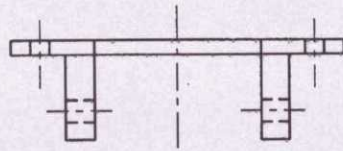
		DT.-25.4.1995	SCALE- 1:1
	DR.- R.K.SHARMA	<u>MATL.</u>	<u>FINISH</u>
	TR.-	AS ABOVE	AS ABOVE
	CH.-	SHTS.- 1	SHT. NO.- 1
D.A. No.-28/2018, DT.-30/11/2018	<u>APPROVED.</u>	<u>DRAWING No.-</u> <u>MCT-1375</u>	
AMENDMENTS.	<i>(Signature)</i>		
OFD/DO/002	IC/DO. MCT AWM/PL.2		

ORDNANCE FACTORY, DEHRADUN.

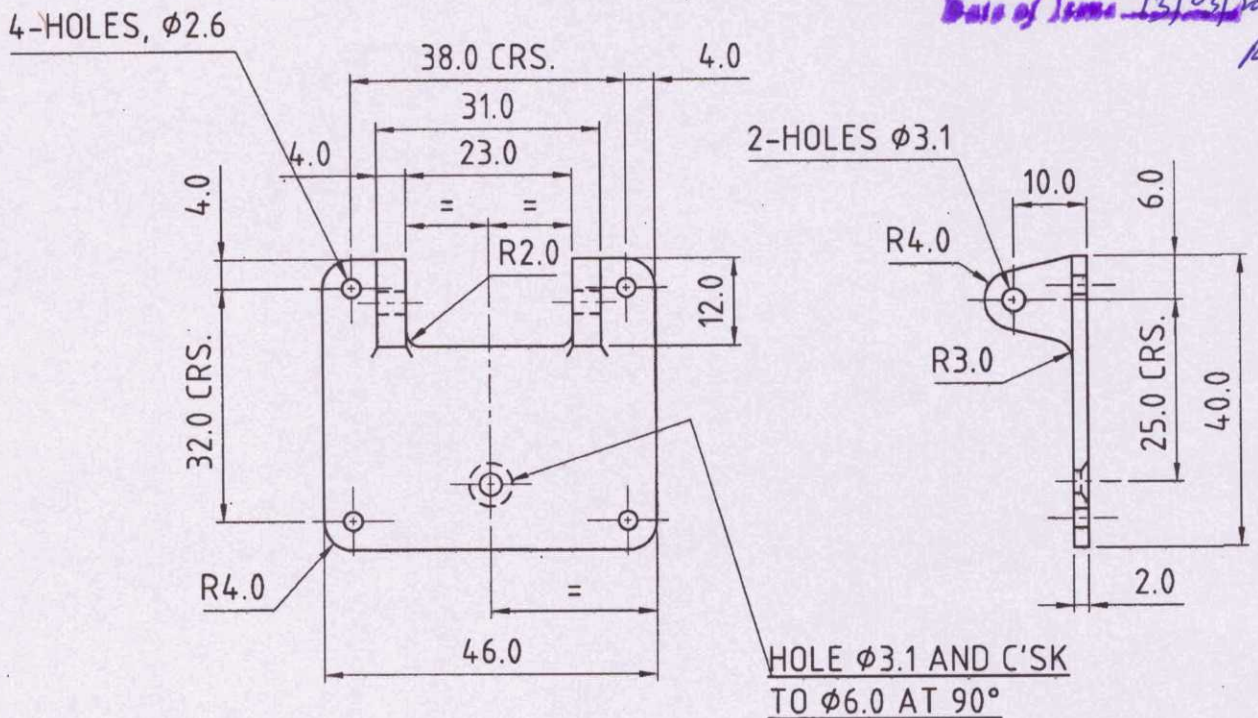
**CASE CARRYING, F.R.P. OFF.N.S. FOR 84 mm. CARL GUSTAV, GUN
FASTENER SET, TURN LOCK
BRACKET, PLATE**

DRG. No.:-
IRDE-328/4

MCT-1376



FOR TRADE GEM
Date of Issue 13/03/2010
Ry



MATL. :-

STEEL IS:1875-1992, CLASS-4, DESIGNATION 45C8 FOR FORGING OR
STEEL IS:1030 -1998 Gde. 280-520 N FOR CASTING.

FINISH :-

APPLY PRIMER TO IS:2074-1962 AND THEN PAINTED (ISC-294 TO
IS:5-1978) OF IS:8982-1978 EXCEPT BEARING SURFACES.

ALL DIMENSIONS ARE MM.
IMPORTANT DIMENSIONS MARKED THUS ●
INFORMATION MARKED THUS † TO BE MARKED ON.

		DT.-25.4.1995	SCALE- 1:1
	DR.- R.K.SHARMA	<u>MATL.</u>	<u>FINISH</u>
	TR.-	AS ABOVE	AS ABOVE
	CH.-	SHTS.- 1	SHT. NO.- 1
D.A. No.-28/2018, DT.-30/11/2018	<u>APPROVED.</u>	DRAWING No.-	
AMENDMENTS.		MCT-1376	
OFD/DO/002	IC/DO. <i>(Signature)</i>	MLT <i>(Signature)</i>	AWM/PL.2

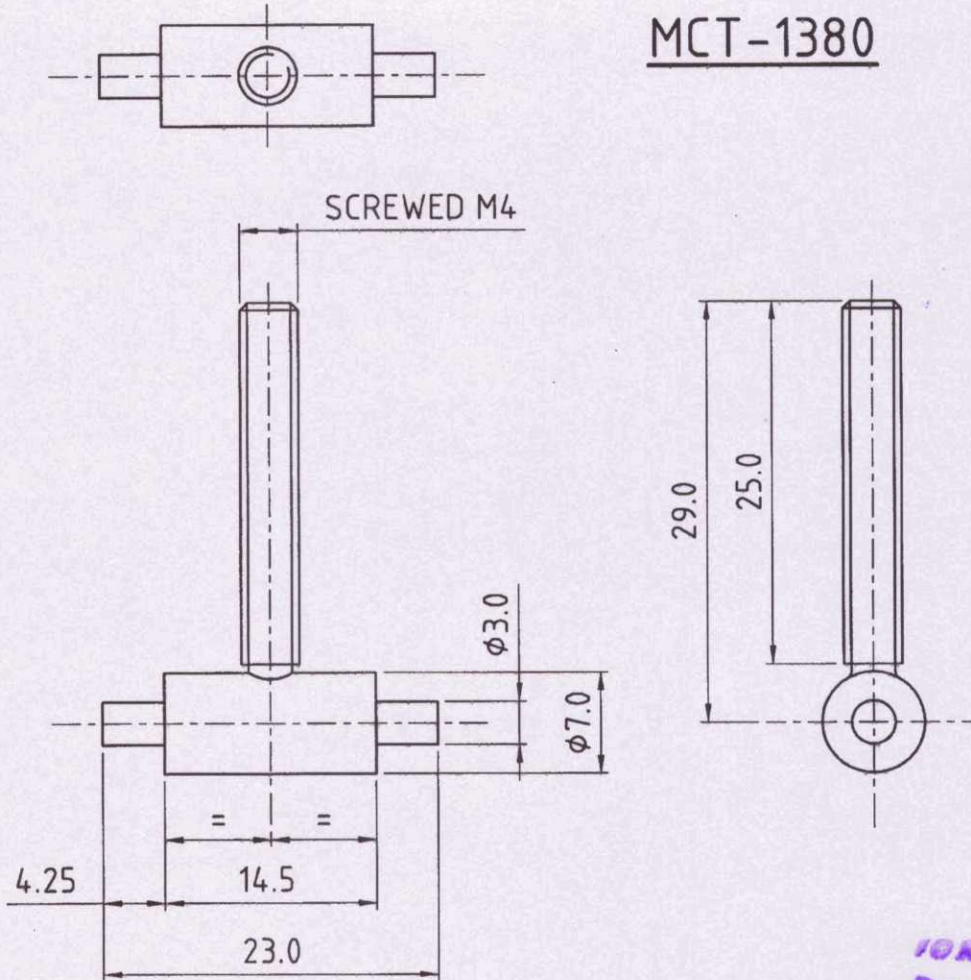
ORDNANCE FACTORY, DEHRADUN.

**CASE CARRYING, F.R.P. OFF.N.S. FOR 84 mm. CARL GUSTAV, GUN
FASTENER SET, TURN LOCK**

DRG. No.:-
IRDE-328/1

LEVER

MCT-1380



MATL. :-

STEEL IS:1875-1992, CLASS-4, DESIGNATION 45C8.

FINISH :-

APPLY PRIMER TO IS:2074-1962 AND THEN PAINTED (ISC-294 TO IS:5-1978) OF IS:8982-1978 EXCEPT BEARING SURFACES.

ALL DIMENSIONS ARE MM.
IMPORTANT DIMENSIONS MARKED THUS ●
INFORMATION MARKED THUS † TO BE MARKED ON.

		DT.-25.4.1995	SCALE- 2:1
	DR.- R.K.SHARMA	<u>MATL.</u>	<u>FINISH</u>
	TR.-	AS ABOVE	AS ABOVE
	CH.-	SHTS.- 1	SHT. NO.- 1
D.A. No.-28/2018, DT.-30/11/2018	<u>APPROVED.</u>	<u>DRAWING No.-</u> <u>MCT-1380</u>	
AMENDMENTS.	<i>(Signature)</i>		
OFD/DO/002	IC/DO. ML.Tamra AWM/PL.2		

ORDNANCE FACTORY, DEHRADUN.

CASE CARRYING GOGGLES. N.V.P. 102 A.

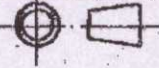
DRG NO IRDE-379/9 HOOK

CAT./PT. NO 5340-002424

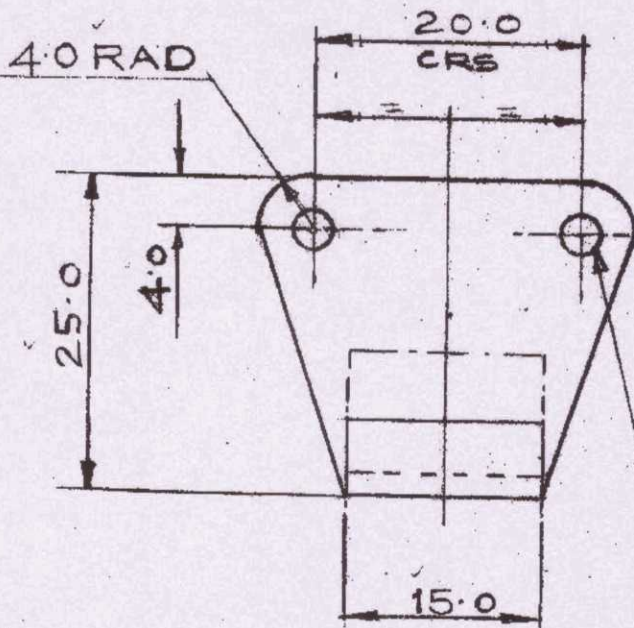
TITLE OF

OPERATION

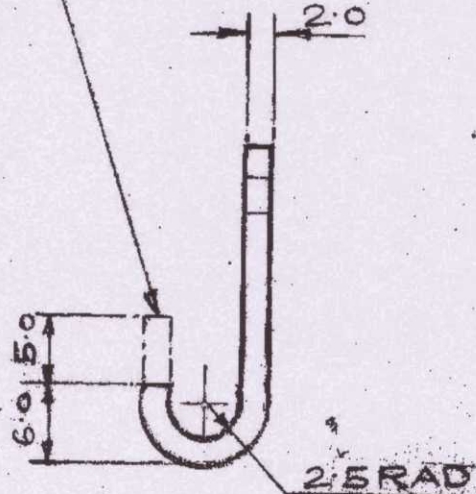
THIRD ANGLE PROJECTION



ORDNANCE FACTORY, DEHRADUN



THIS PORTION TO BE
REMOVED WHILE NOT
CLOSING TO FORM HINGE



2-HOLES, TO SUIT 2.5 DIA. RIVET

FOR TRADE ONLY
Date of Issue 13/03/2002
100/

MATL: - CARBON STEEL, SHEET, DEEP DRAWING,
IS: 513-1986

✓ FINISH:- APPLY PRIMER TO IS: 2074-1962 AND THAN
* PAINTED (ISC-294 TO IS: 5-1978) OF IS: 8982
- 1978 EXCEPT BEARING SURFACES.

	DR- SKT <i>Thop...</i>	D/6-4-99	SCALE 2:1
	TR-	MATL.	TREAT.
	CH- <i>...</i>	AS ABOVE	
		SHEETS 1	SHEET No. 1
* D.A. No 18/2002 DE-08-8-2002	APPROVED	DRAWING NO.-	
O.F.D/D.O/002	<i>[Signature]</i>	MCT- 1636/1	
AMENDMENTS	JWM/DO WMM/MS		

CASE CARRYING GOGGLES, NIGHT, VISION, PASSIVE, 102A

DRG NO LOOP

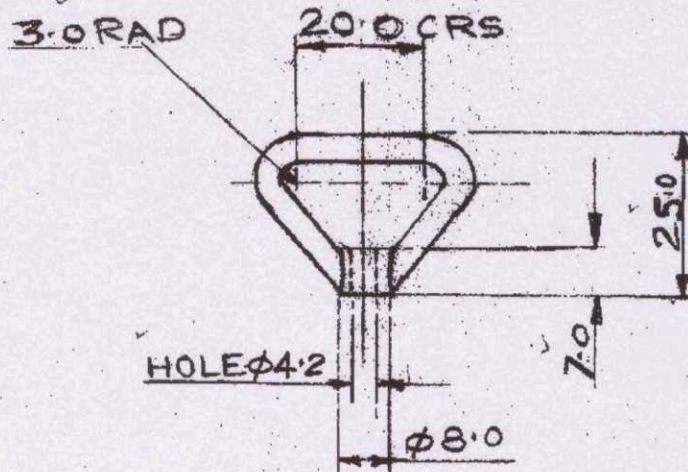
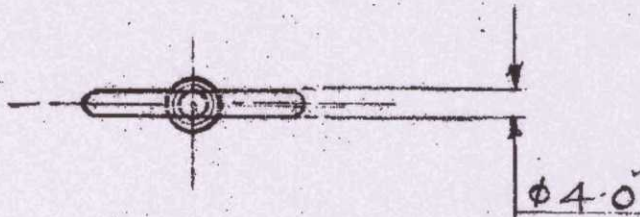
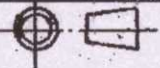
IRDE-379/15

CAT/PT. No 5340-002427

TITLE OF

OPERATION

THIRD ANGLE PROJECTION



JOB TRADE ONE
Date of Issue 13/03/2020

MATL: STEEL IS: 1875-1978 IV REVISION. STEEL CLASS

FINISH:-

* APPLY PRIMER IS: 2074-1962 AND THEN PAINTED
(ISC 294 TO IS: 5-1978) OF IS: 8982-1978 EXCEPT

DIMENSIONS ARE IN M/M BEARING SURFACES.

IMPORTANT DIMENSIONS MARKED THUS ⊕

INFORMATION MARKED THUS TO BE MARKED ON

	DR- <i>SK Thapliyal</i>	D/-3-4-99	SCALE: 1:1
	TR-	MATL-	TREAT-
	CH- <i>Shrestha</i>	AS ABOVE	
		SHEETS 1	SHEET No. 1
* D.A. No 18/2002 DC 08 ³ / ₂₀₀₂	APPROVED	DRAWING NO.-	
O.F.D/D.O/002	<i>(Signature)</i>	MCT- 1637/1	
AMENDMENTS	TWM/DO WM/MIS		

ORDNANCE FACTORY, DEHRADUN

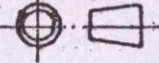
CASE CARRYING

GOGGLES N.V.P. - 102 A

DRG. No
IRDE 1613/5

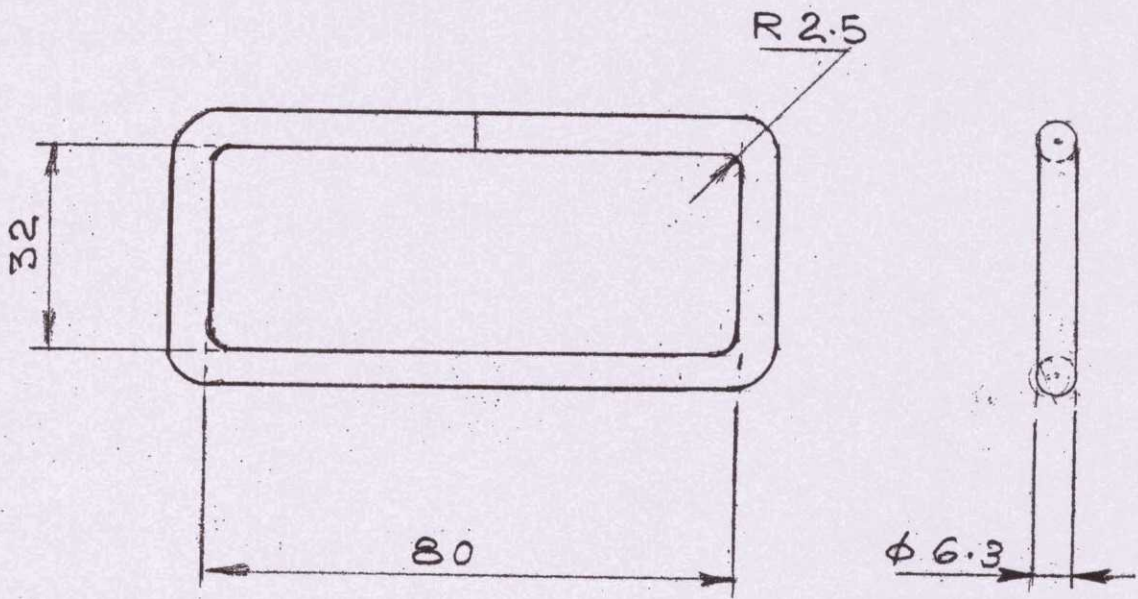
HANDLE

TITLE OF	OPERATION
----------	-----------

THIRD ANGLE PROJECTION 

MCT-1641/1

ORDNANCE FACTORY, DEHRADUN



* FINISH:- APPLY PRIMER TO IS: 2074-1962 &
THEN-PENTED (ISC 294 TO IS: 5-1978)
OF IS: 8982-1978 EXCEPT BEARING
SURFACES.

FOR TRADE CHAS
Date of Issue 13/03/2012
MCT

MATL & SPECN STEEL IS:- 4432-C10

DIMENSIONS ARE IN M/M
IMPORTANT DIMENSIONS MARKED THIS ⊕
INFORMATION MARKED THIS ⊕ TO BE MARKED ON

	DR- <i>MM</i>	D/-16-4-99	SCALE 1/1
	TR-	MATL. AS ABOVE	TREAT -
	CH- <i>MM</i>	SHEETS 1	SHEET No. 1
* D.A. No. 12/2012 DT. 13.9.2012	APPROVED	DRAWING No.	
O.F.D/DO/002	<i>JWM</i> JWM/DO	MCT/1641/1	
AMENDMENTS	<i>WM</i> WM/MIS		

CASE CARRYING

DRG. No. **GOGGLES, PASSIVE NIGHT VISION 102 A**
IRDE - 1613/6 **PLATE**

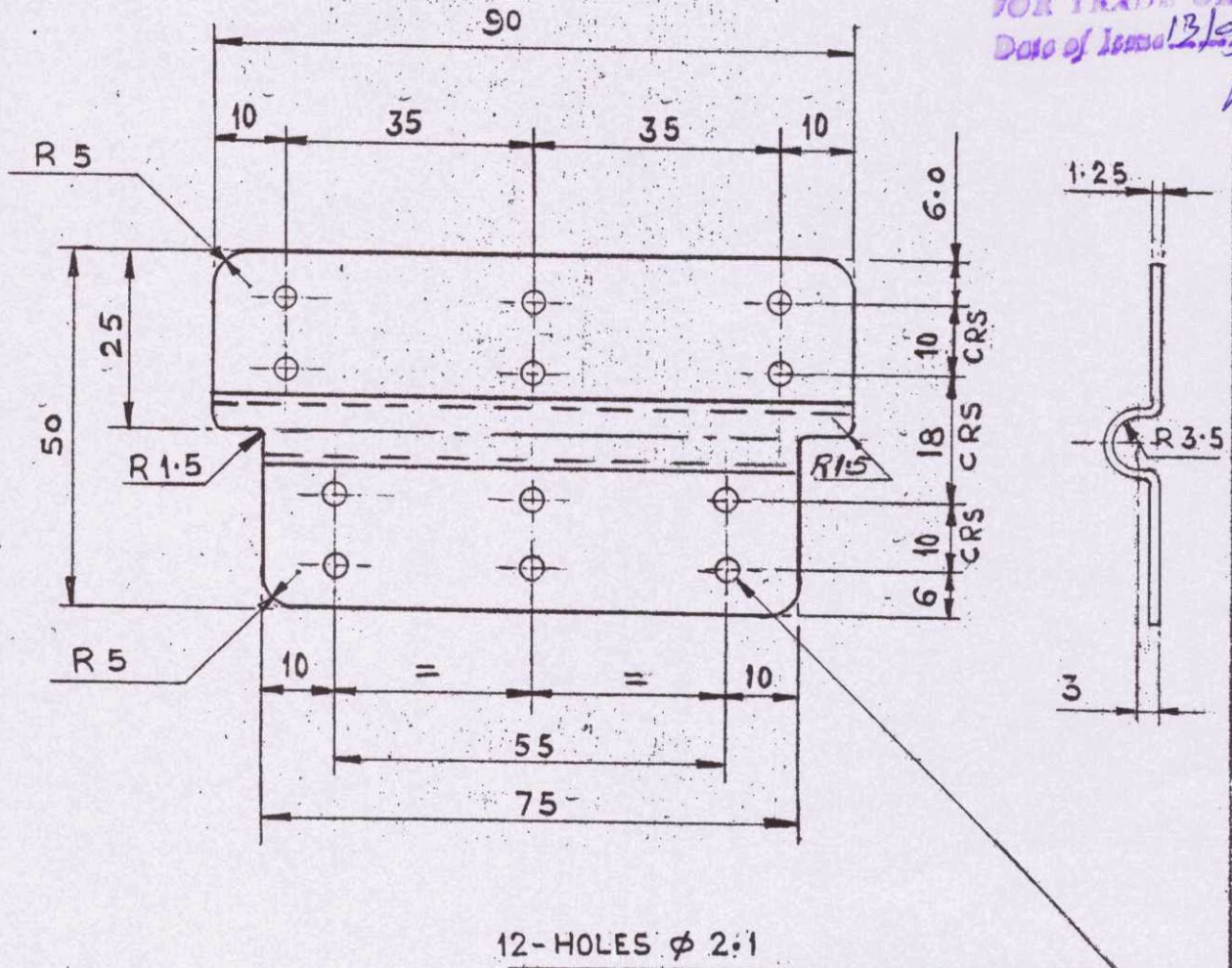
TITLE OF	OPERATION
----------	-----------

THIRD ANGLE PROJECTION

MCT-1644/1

FOR TRADE COPY
 Date of Issue 13/09/2012
Ref

ORDNANCE FACTORY, DEHRADUN



MATL. M.S. IS: 1079 Gde. 0

*** FINISH:-** APPLY PRIMER TO IS: 2074-1962 & THEN PENTED (ISC 294 TO IS: 5-1978) OF IS: 8982-1978 EXCEPT BEARING-SURFACE.

DIMENSIONS ARE IN M/M

IMPORTANT DIMENSIONS MARKED THUS ⊕
INFORMATION MARKED THUS ⊕ TO BE MARKED ON

	DR- <i>Chandrasekhar</i>	D/- 9-4-99	SCALE: 1:1
	TR-	MATL. AS ABOVE	TREAT -
	CH- <i>MS</i>	SHEETS 1	SHEET No. 1
* DA. No. 12/2012 DT. 13.9.2012	APPROVED	DRAWING No.	
AMENDMENTS	<i>Suj</i>	MCT/1644/1	
OFD/DO/002	J.WM/DO WM/MIS		

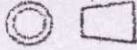
CASE, CARRYING

GOGGLES, NIGHT VISION PASSIVE 102 A

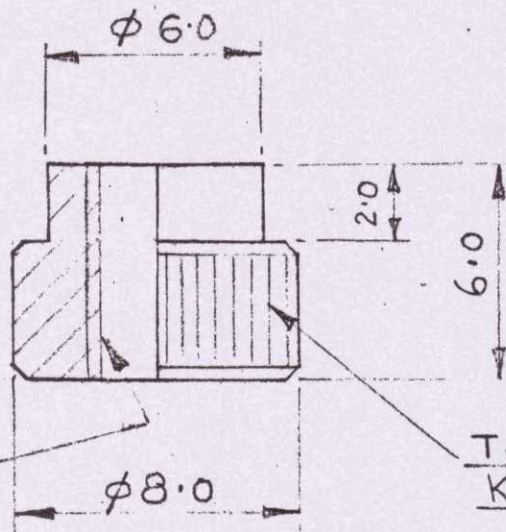
DRG. No. LRDE-379/16 NUT, PLAIN, KNURLED

जुगाड़का नाम TITLE OF संक्रिया OPERATION

THIRD ANGLE PROJECTION



MCT-1646/1



TAPPED HOLE
M 4.0

TO BE STRAIGHT
KNURLED.

MATL:- STEEL ROD, IS: 7283-1974, CHEMICAL COMPOSITION 30 C 8 OF IS: 1570 PT. II 1979.

FINISH:-

* APPLY PRIMER TO IS 2074-1962 AND THAN PAINTED (ISC-294 TO IS: 5-1978) OF IS: 8982-1978 EXCEPT BEARING SURFACES.

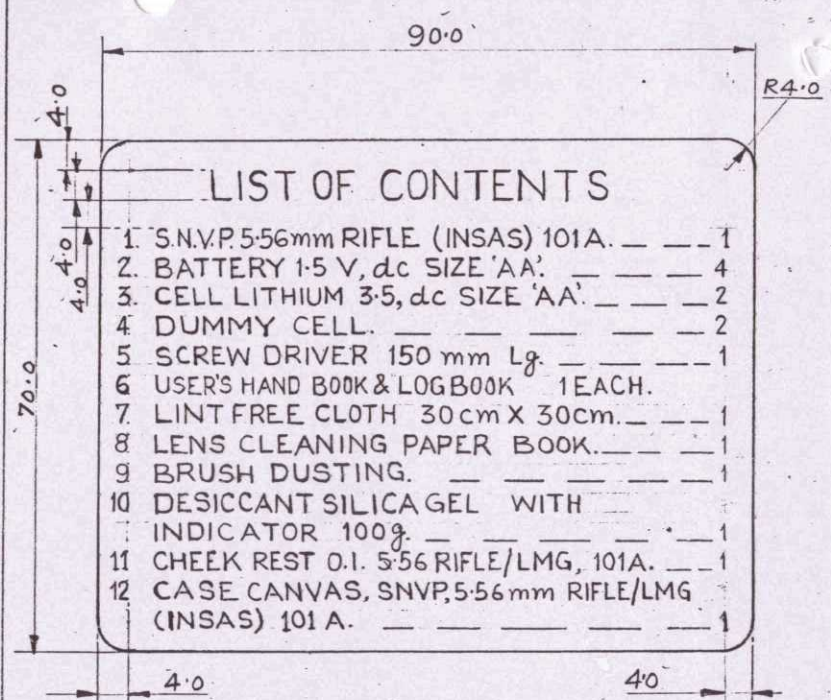
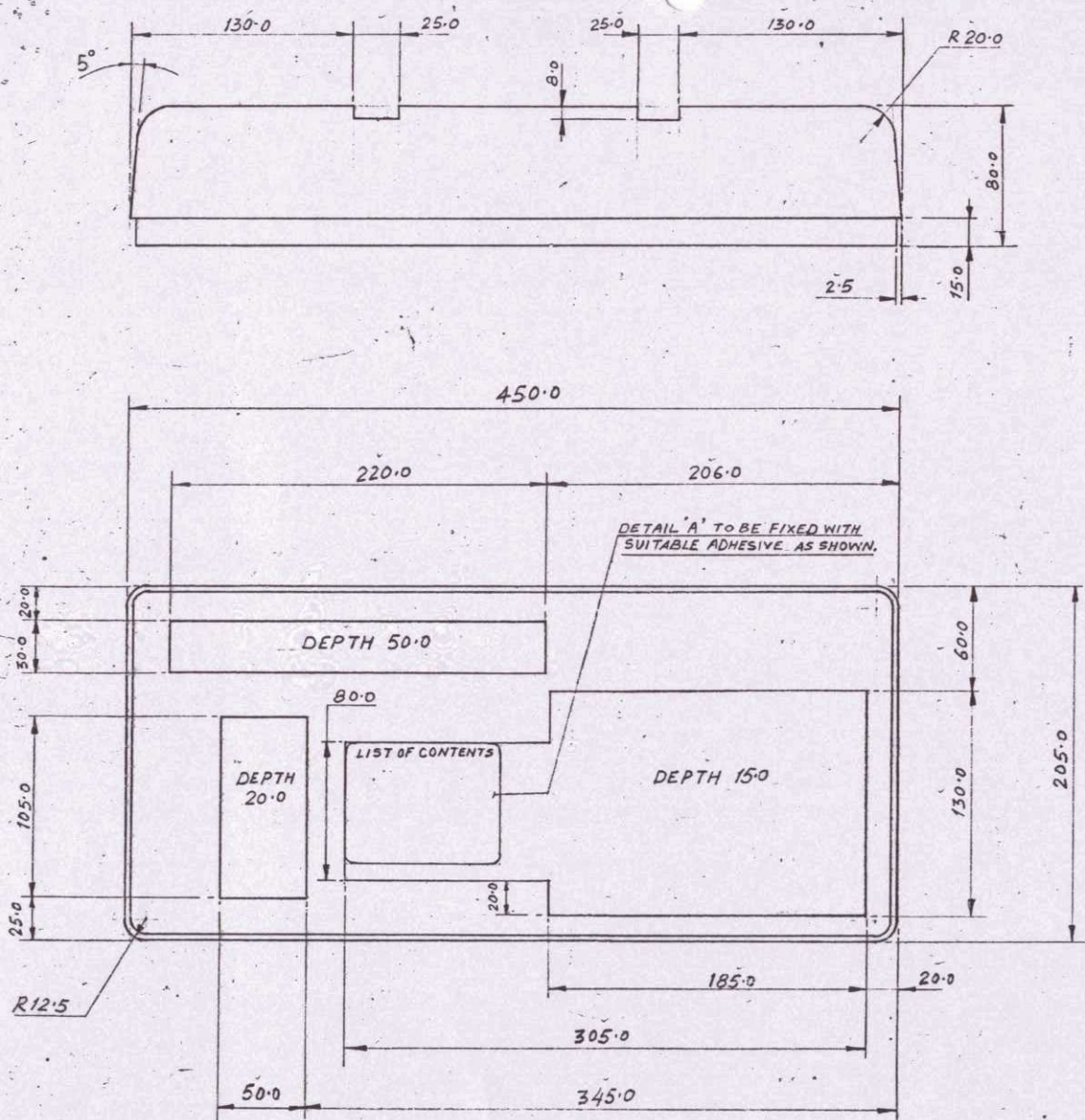
FOR TRADE USE
Date of Issue 13/3/2010

DIMENSIONS ARE IN M/M

IMPORTANT DIMENSIONS MARKED THUS ⊕
INFORMATION MARKED THUS ⊖ TO BE MARKED ON

	ड्राफ्ट. DR- [Signature]	दि. 16-4-99	रिमान्ट SCALE 5:1
	अनुमो. TR-	धातु/साजगी MATL AS ABOVE	साजगी TREAT. AS ABOVE
	पडता. CH-	SHEETS 1	SHEET No. 1
* D.A. No 18/2002 dt. 05-8-2002	अनुमोदित APPROVED	स्वादिष्ट अनुक्रमिक DRAWING No	
AMENDMENTS	[Signature]	MCT-1646/1	
OFD/D.O/002	JWM/D.O	WM/MJS	

आयुध निर्माणा देहरादून
ORDNANCE FACTORY, DEHRADUN



LIST OF CONTENTS

1. S.N.V.P.5.56mm RIFLE (INSAS) 101A.	1
2. BATTERY 1.5 V, dc SIZE 'AA'.	4
3. CELL LITHIUM 3.5, dc SIZE 'AA'.	2
4. DUMMY CELL.	2
5. SCREW DRIVER 150 mm Lg.	1
6. USER'S HAND BOOK & LOGBOOK 1 EACH.	
7. LINT FREE CLOTH 30cm X 30cm.	1
8. LENS CLEANING PAPER BOOK.	1
9. BRUSH DUSTING.	1
10. DESICCANT SILICA GEL WITH INDICATOR 100g.	1
11. CHEEK REST O.I. 5.56 RIFLE/LMG, 101A.	1
12. CASE CANVAS, SNVP,5.56mm RIFLE/LMG (INSAS) 101 A.	1

DETAIL 'A'

- NOTE :-**
- LETTERS & FIGURES TO BE PHOTO-ETCHED. IN BLUE COLOUR ON NATURAL ANODISED ALUMINIUM SHEET 0.5 THICK.
 - HEIGHT OF TEXT TO BE 2.5 mm.
 - SPACING BETWEEN LINES 1.5 mm UNLESS OTHERWISE SPECIFIED.
 - TEXT TO BE CENTRED UNLESS OTHERWISE SPECIFIED.

FOR TRADE OVM
Date of Issue 13/03/2021
Rg

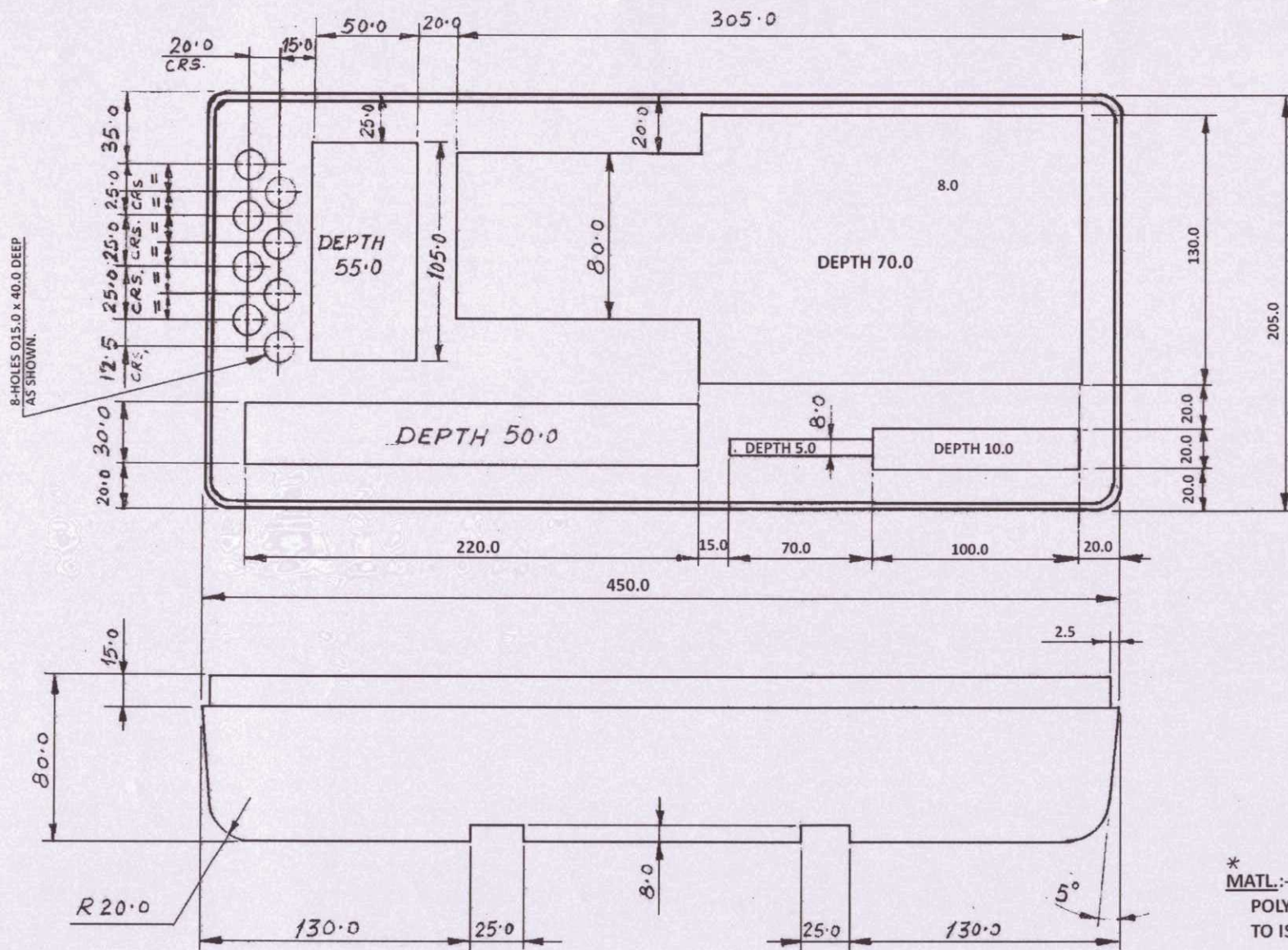
SCALE - 2:1 GEN. TOL. ± 0.1

MATL. & SPECN:-
POLYURETHENE FOAM BLACK/GREY
TO IS: 7933-1975

DIMNS. IN MM.

ORD. FY. D. DUN	DRN. <i>07/21/18</i>	CASE CARRYING, S.N.V.P. 5.56 mm RIFLE (INSAS) 101 A	DT. 10-5-99	SCALE-1:2
	TRCD.		MATL. TREAT	
	CHKD.		AS ABOVE	
	APPROVED	FOAM - UPPER	SHTS. 1	SHT. NO. 1
	JWM/D.O	DRG. NO. I.R.D.E.-2653/2	AMENDMENTS	DRG. NO.
	WM/FAIS		DFD/DO/002	MCT- 1679/1

D.C. - 2147-IP



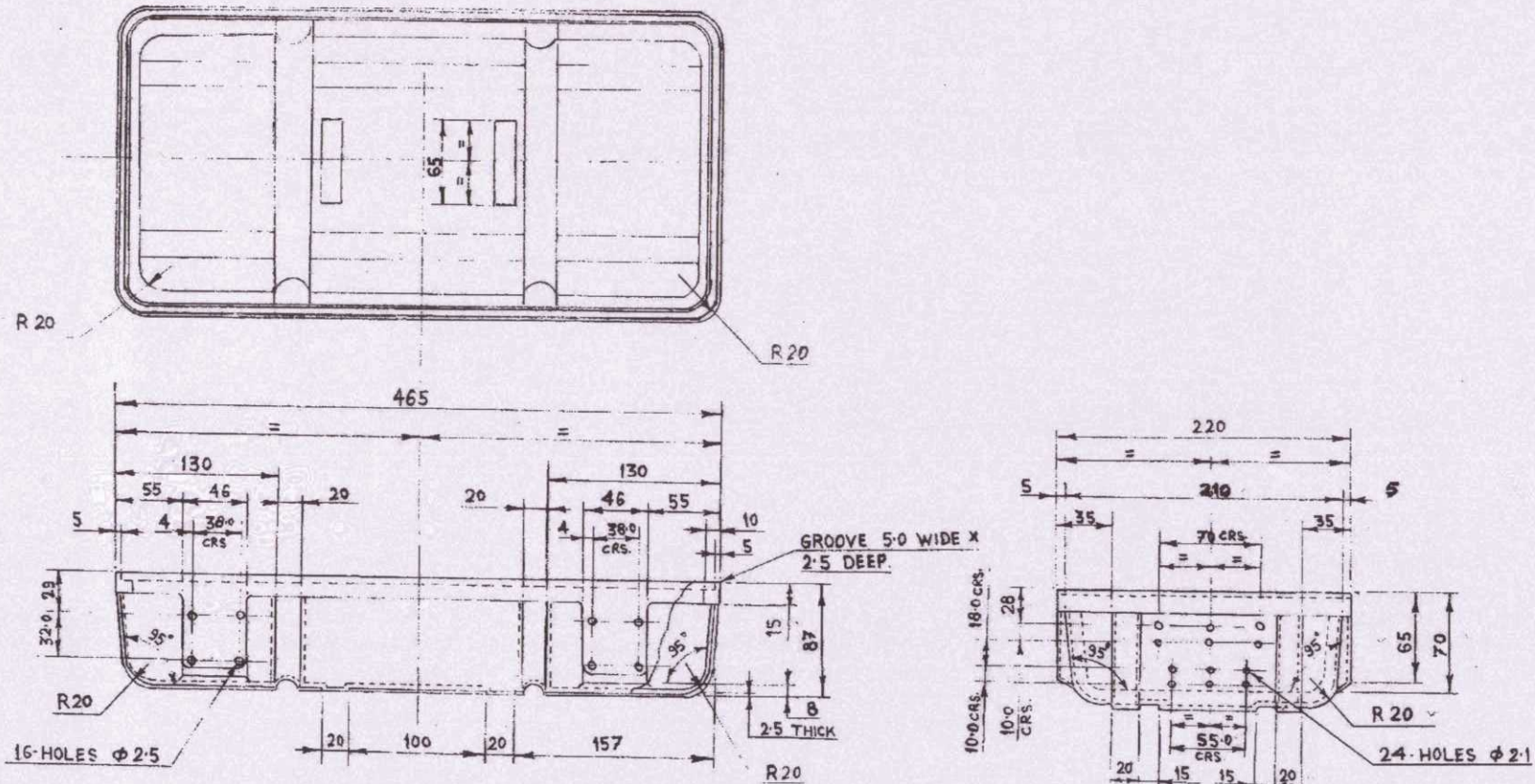
FOR TRADE ONLY
 Date of Issue: 13/03/2020
 Ref:

* MATL:-
 POLYURETHENE FOAM BLACK GREY,
 TO IS:7933-1975.

DIMNS. IN MM.

ORDNANCE DEHRADUN	DR.:-	CASE CARRYING S.N V.P. 5.56 mm. RIFLE (INSAS) 101A FOAM LOWER	DT.:- 11.5.99	SCALE:- 1:2
	TR.:-		MATL.	TREAT
	CH.:-		AS ABOVE	AS ABOVE
	APPROVED		SHTS.:- 1	SHT. No.:- 1
 JWM/DO	 WM/MIS	DRG. No.:- IRDE-2653/1	* D.A. No.-28/2014 Dt.05.12.14	DRAWING No.:- MCT-1680/1
			AMENDMENTS	
			OFD/DO/002	

MCT-2007



MATL. :- FIBRE GLASS REINFORCED PLASTIC
(BEST COMMERCIAL QUALITY).

FINISH :- APPLY PRIMER TO IS:2074-1962 AND THEN
PAINTED (ISC 234 TO IS: 5-1978) OF IS: 8982
-1978 EXCEPT BEARING SURFACES.

FOR TRADE ONLY
Date of Issue 13/03/2020
Roj

**ORDNANCE FACTORY
DEHRADUN**

DR.: R.K.SHARMA
TR.:
CH.:

APPROVED
JWM/DO. AWM/PL.

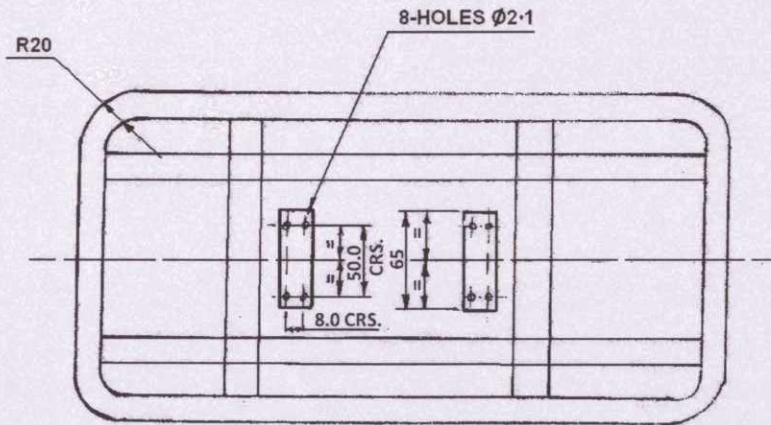
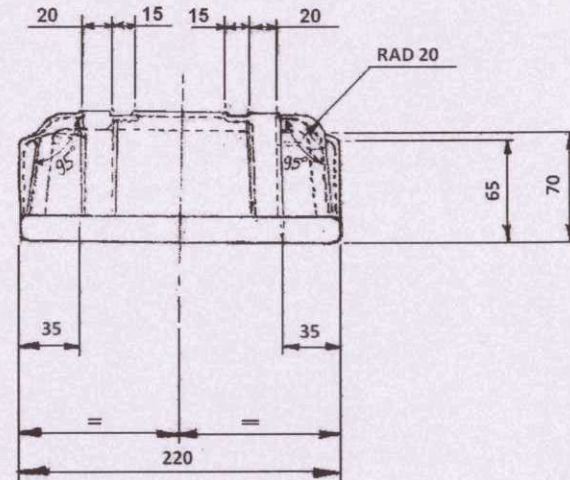
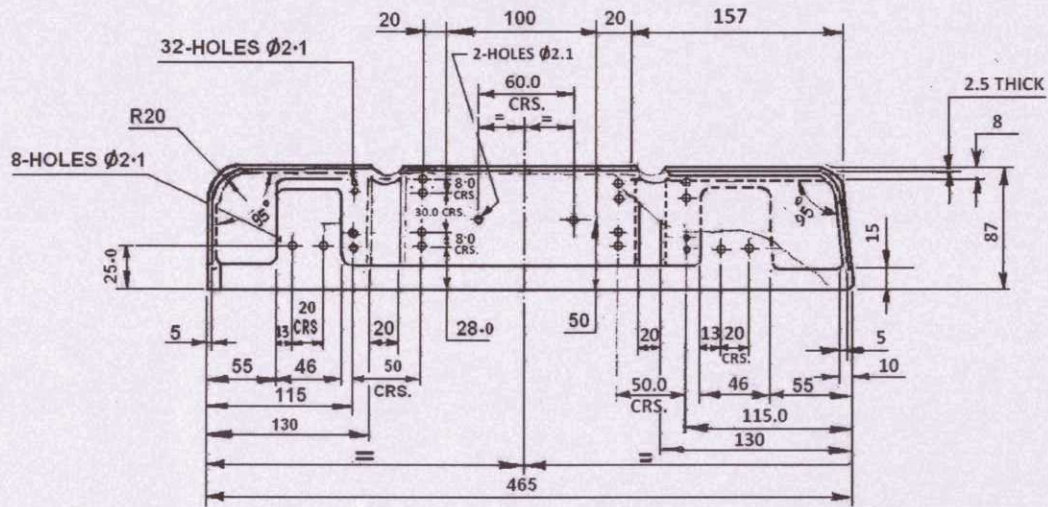
**CASE CARRYING PASSIVE NIGHT SIGHT VISION 5.56 mm. LMG (INSAS)
BOX**

DRG. No. :- IRDE-2003/1

DT.: 14.06.02 SCALE: -N.T.S.
MATERIAL TREAT
AS ABOVE AS ABOVE
SHTS. No.: 1 SHT. No.: 1

AMENDMENTS
OFD/DO/002

**DRAWING No.:-
MCT-2007**



BOTTOM VIEW

FOR TRADE ONLY
 Date of Issue 13/02/2020

MATL:- FIBRE GLASS RENIFORCED PLASTIC
 (BEST COMMERCIAL QUALITY)
FINISH:- APPLY PRIMER TO IS: 2074-1962 AND THEN PAINTED
 (ISC 294 TO IS : 5-1978) OF IS : 8982-1978
 EXCEPT BEARING SURFACES

**ORDNANCE FACTORY
 DEHRADUN**

DR.: *of 1/2*
 TR.:
 CH.:

APPROVED
[Signature]
 JWM/DO. AWM/PI.

CASE CARRYING PASSIVE NIGHT SIGHT VISION 5.56 mm. LMG (INSAS)

LID

DRG. No. :-
 IRDE-2003/2

	DT.:-14.06.02	SCALE:-N.T.S.
	MATL. AS ABOVE	TREAT AS ABOVE
	SHTS. No.:- 1	SHT. No.:- 1
AMENDMENTS	DRAWING No.:-	
OFD/DO/002	MCT-2008	

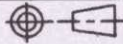
2

CASE CARRYING, SIGHT NIGHT VISION PASSIVE 5.56mm, LMG (INSAS)- 101A

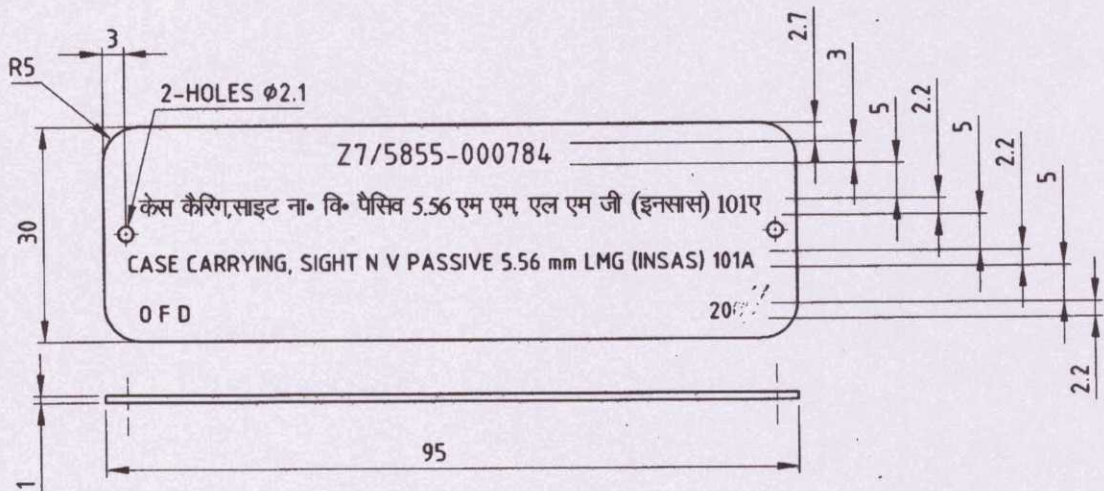
NAME PLATE (HINDI & ENG.)

DRG. NO. IRDE-2669/3

THIRD ANGLE PROJECTION



MCT-2547/1



NOTE :-

LETTERS & FIGURES ARE TO BE PHOTOETCHED BLACK ON ANODISED AL. PLATE.

MATL. :-

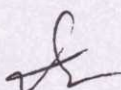
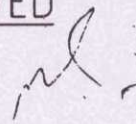
AL. ALLOY, 19000 HI-IS: 737-1986

FINISH. :-

ANODISED AC-15 IS:1868-1982

FOR TRADE USE
Date of Issue 13/03/2020
Rj

DIMENSIONS ARE IN M/M. OTHERWISE STATED
IMPORTANT DIMENSIONS MARKED THUS ⊙
INFORMATION MARKED THUS † TO BE MARKED ON

	DR- P.C.SINGH	DT.- 30-08-2007	SCALE- 1:1
	TR-	MATL. AS ABOVE	TREAT. AS ABOVE
	CH-	SHEETS- 1	SHT. NO.- 1
D.A. No 27/20/11 DT. 30/9/11	<p style="text-align: center;">APPROVED</p>  JWM/D.O.	<p style="text-align: center;">DRAWING NO.</p> <p style="text-align: center;"><u>MCT- 2547/1</u></p>	
AMENDMENTS			
OFD/DO/002			
	 Jt.GM/P-II		

ORDNANCE FACTORY, DEHRADUN

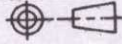


SIGHT NIGHT VISION PASSIVE 5.56mm, LMG (INSAS) CASSED 101A

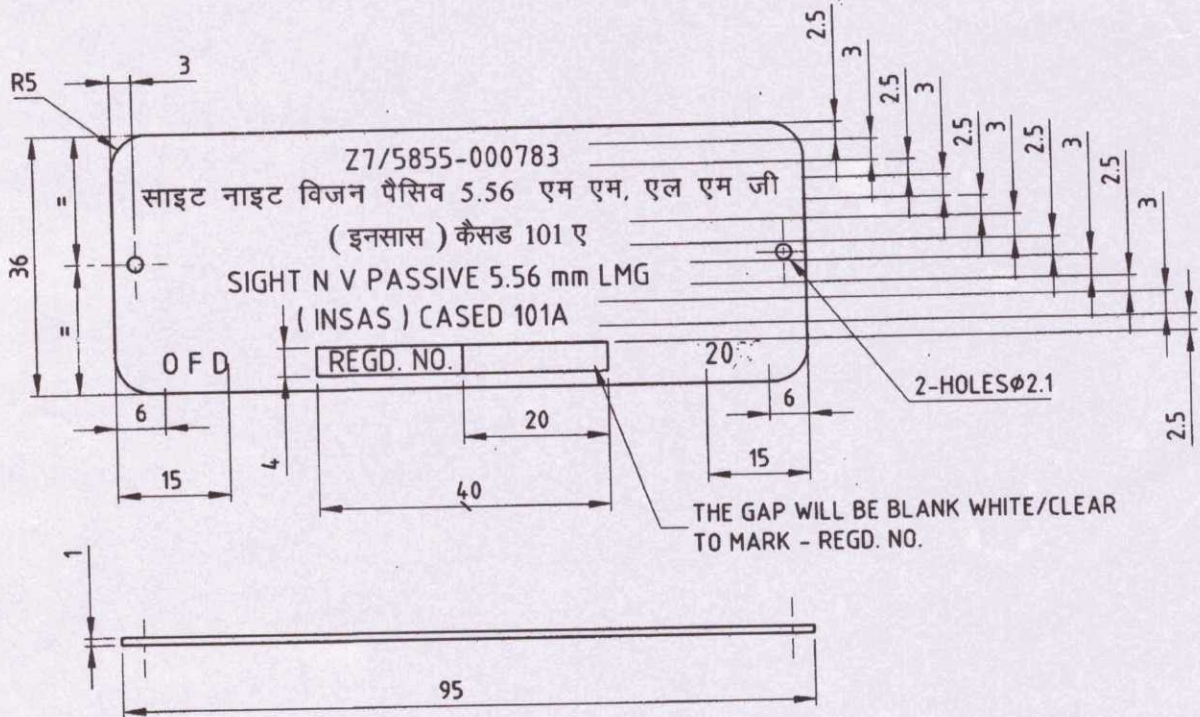
NAME PLATE (HINDI & ENG.)

DRG. NO. IRDE-2669/4

THIRD ANGLE PROJECTION



MCT-2549/1




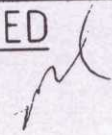
NOTE :-
LETTERS & FIGURES ARE TO BE PHOTOETCHED BLACK ON ANODISED AL. PLATE.

MATL. :-
AL. ALLOY, 19000 HI-IS: 737-1986

FINISH. :-
ANODISED AC-15 IS:1868-1982

FOR TRADE ONLY
Date of Issue 13/03/2010
Raj

DIMENSIONS ARE IN M/M. OTHERWISE STATED
IMPORTANT DIMENSIONS MARKED THUS ⊕
INFORMATION MARKED THUS † TO BE MARKED ON

	DR- P.C.SINGH	DT.- 30-08-2007	SCALE- 1:1
	TR-	MATL. AS ABOVE	TREAT. AS ABOVE
	CH-	SHEETS- 1	SHT. NO.- 1
DA. NO 27/2011 DT- 30/9/11	<p style="text-align: center;">APPROVED</p>   JWM/D.O. Jf.GM/P-II	DRAWING NO. MCT-2549/1	
AMENDMENTS			
OFD/DO/002			

ORDNANCE FACTORY, DEHRADUN