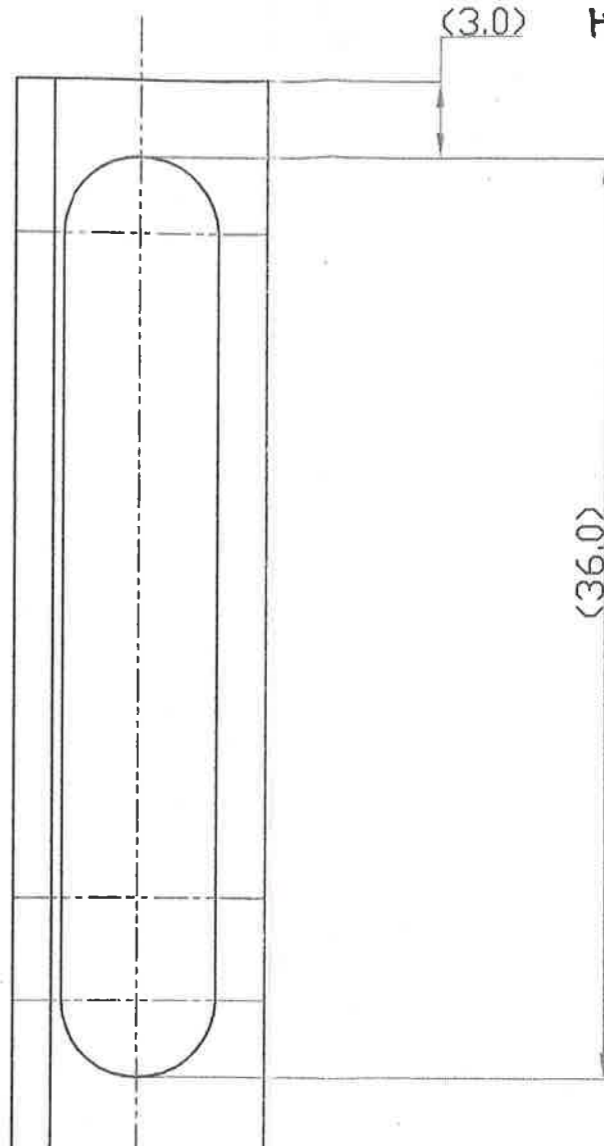
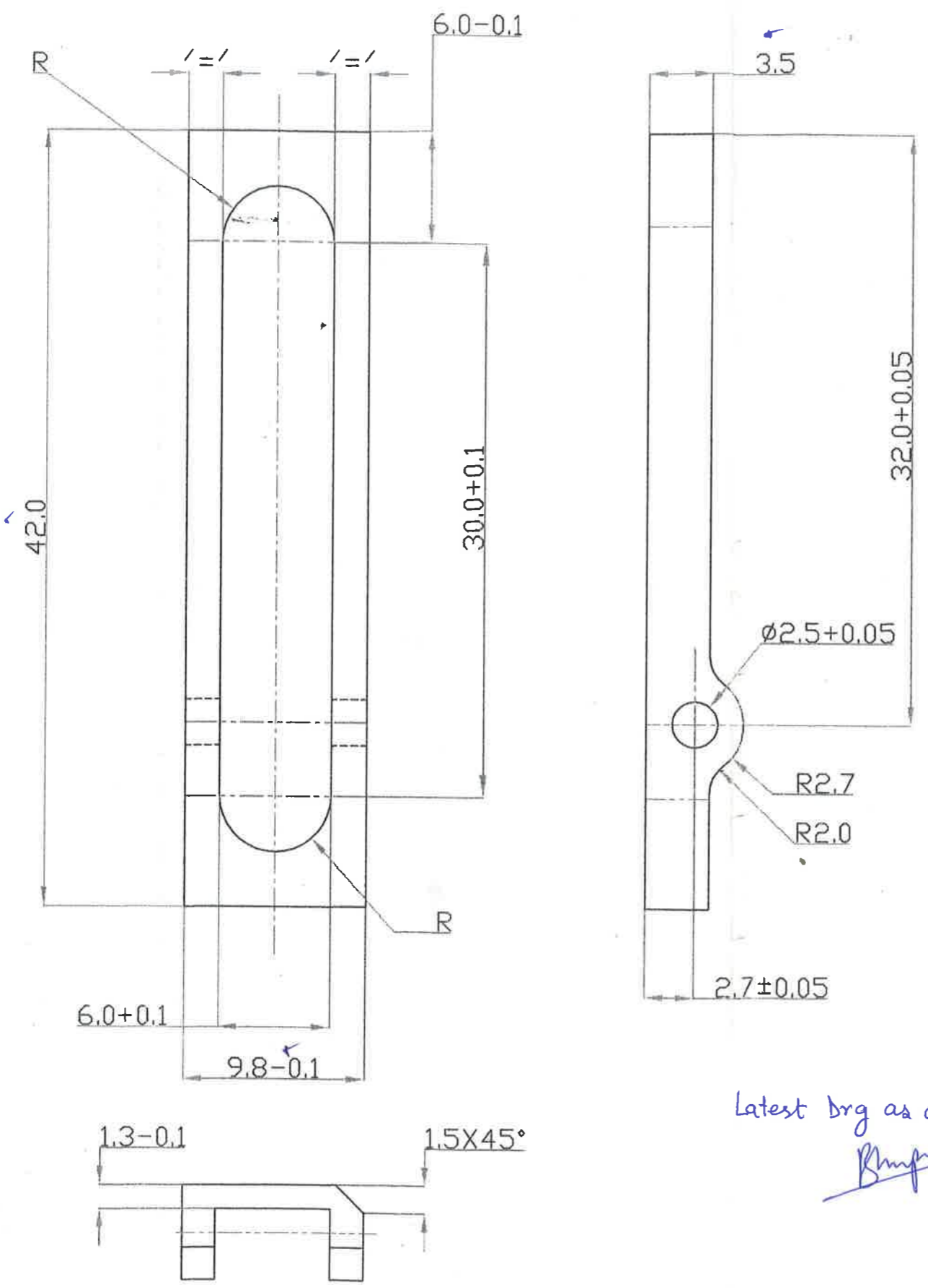


- NOTES: 1) REMOVE ALL SHARP EDGES AND BURRS  
 2) HARDNESS : 250-300 HV  
 3) ALT.MATERIAL :

MIM S7 (AISI EQUIVALENT)  
 (3.0) HARDNESS : 500-600 HV



4	14/7/15	M-27	ALT. MATERIAL ADDED	A-10/11
3	10/4/14	M-22	DRG. REVISED	
2	7/3/14	M-21	DIMN 1.3-0.1 WAS DIMN 1.3 DIMN 32.0±0.1 WAS 32.0±0.05	G-3 C,D-5
1	08/08/2011	M-18	DIMN 32 ADDED DIMN 6.0-0.1 WAS 3.0-0.1 DIMN 44.0 WAS 41.0 DIMN 30.0±0.05 ADDED VIEW AMENDED ACCORDINGLY	B,C-5 C-2 C-3
Sr. No.	DATE	AUTHORITY	BRIEF RECORD	ZONE
DRN. KSD	CHD. KSD			CD SIGN
APPD. DATE 14/7/15			MATERIAL: STEEL TO IS: 5517-1993, Gd-40C8 (En-8)	
SEALED DATE			PROTECTIVE FINISH: PHOSPHATED TO SPECN IS:3618-1966, CLASS 'B'	
SCALE 5:1	EST. MASS		TITLE	
DESIGN AUTHORITY ARDE PUNE 411021			HOUSING LEVER CATCH MAGAZINE	
DRG. No.	IC	SS	S	AA
PART No.		DS CAT. No.		AHSP

*Drg verified on 14/3/16*  
*[Signature]*

*Latest drg as on 10/12/15*  
*[Signature]*