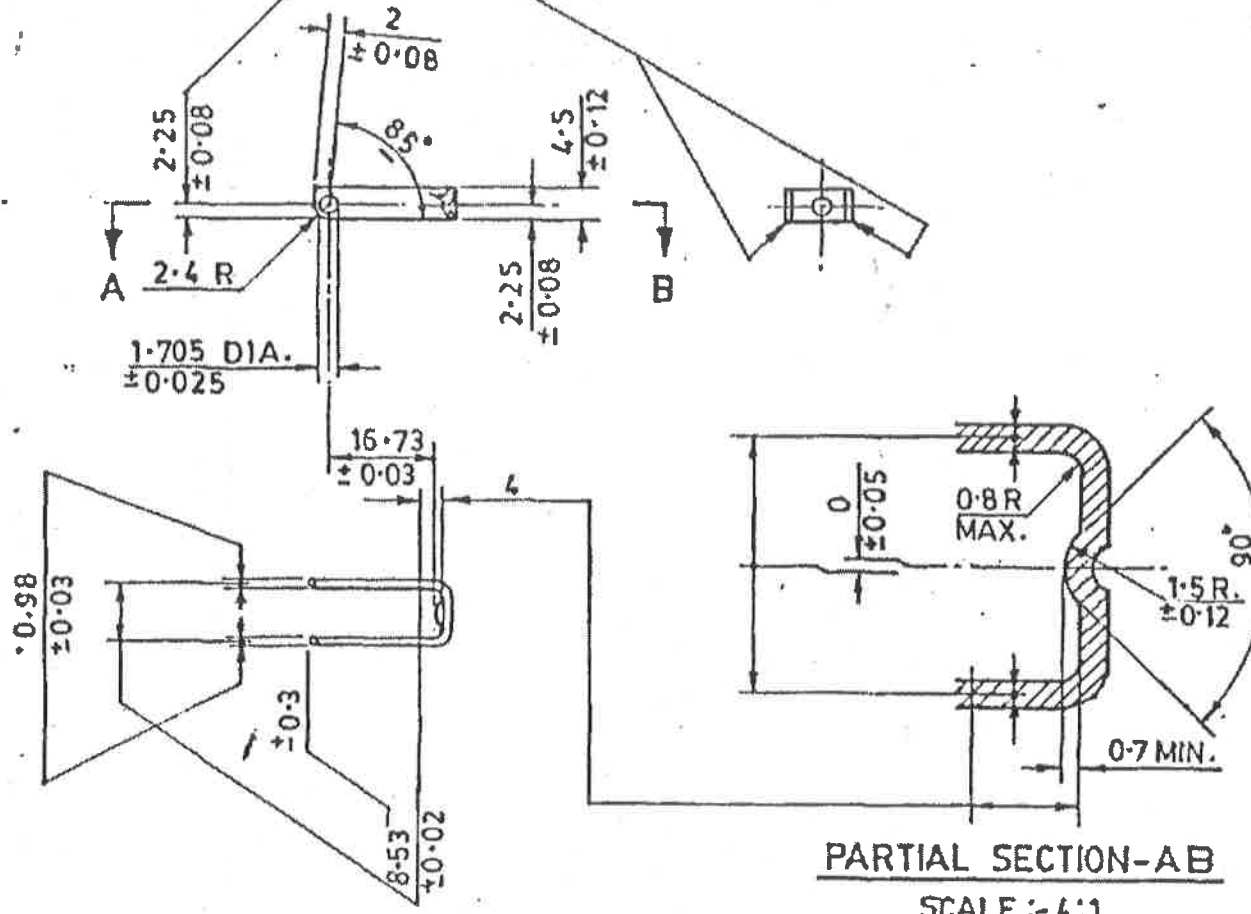


1055-000838 WAS 1005-000423

DIMNS. ARE IN mm.

TO CHECK WHEN THE TWO RIMS  
ARE BROUGHT ON THE SAME PLANE

THE PART HAS TO SLIDE FREELY  
UNDER A HEIGHT GAUGE 4.72 mm.



SURFACE FINISH:-

AS PER IS:3073 EVERY WHERE  
SHOULD BE W.

PARTIAL SECTION-AB

SCALE :- 4:1

20-07-11	26593-SA	ASSY. NO. 1055-000838 WAS 1005-000423		DRN.	CHD.	TRD. shamsda	COMP. Mohanani	AHSP, CQA(SA), ICHAPUR
14-03-2002	25292-SA	RECORD OF RECEIPT CANCELLED AND DRG. SEALED AFRESH.		SCALE :- 1:1 & 4:1		EST. MASS.		ASSY. 1055-000838
08.10.99	24549-SA	PROFORMA CHANGED, SURFACE FINISH AMENDED, NEG. RE-TRACED AND DRG. RE-SEALED AS A RECORD OF RECEIPT.		DT 08-10-94	IC; D.O.	APPROVED. DT.		DGNR'S REF.
		PREVIOUS D. C. NOS. 15405-SA, 16381-SA, 21572-SA, 22027-SA & 22884-SA.				NEG. RE-TRACED		PART NO. 1002 C
DATE AUTHY.		BRIEF RECORD	ZONE I/C, D.O. G.D.			MATERIAL:- BS 1449 Pt.1:1983 Gd. Cs 60 OR Cs 50 OR IS:7226:1974 C-55		DRG. NO. A 1198
SEALED:- D. C. NO. 25292-SA		DT. 14-03-2002.	SIGN			H.T./HARDNESS:- 70-75 HRA. (401-460 BHN)		D.S. CAT. 1005-000424 NO.
NOMENCLATURE :- STIRRUP RETAINING FORESIGHT				PROTECTIVE FINISH:- PHOSPHATE TO SPECN. JSS:0465-01:1988 CLASS II (ACCELERATED), OIL FINISH.				