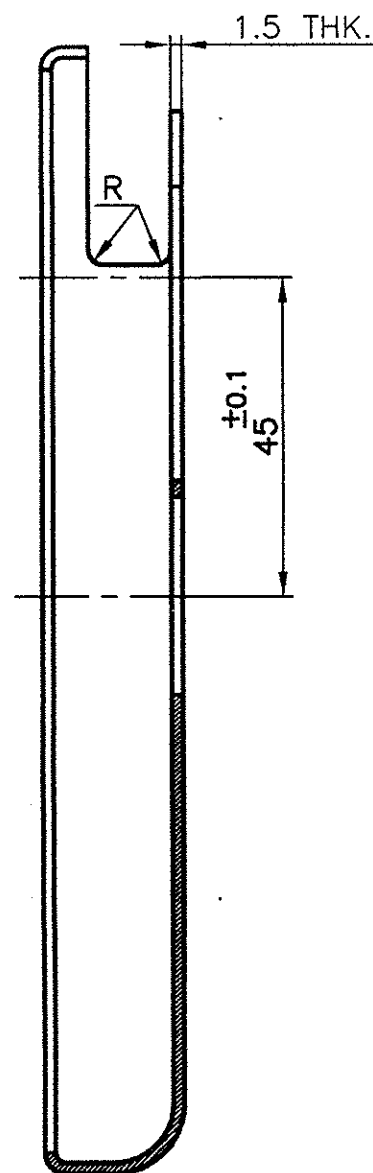
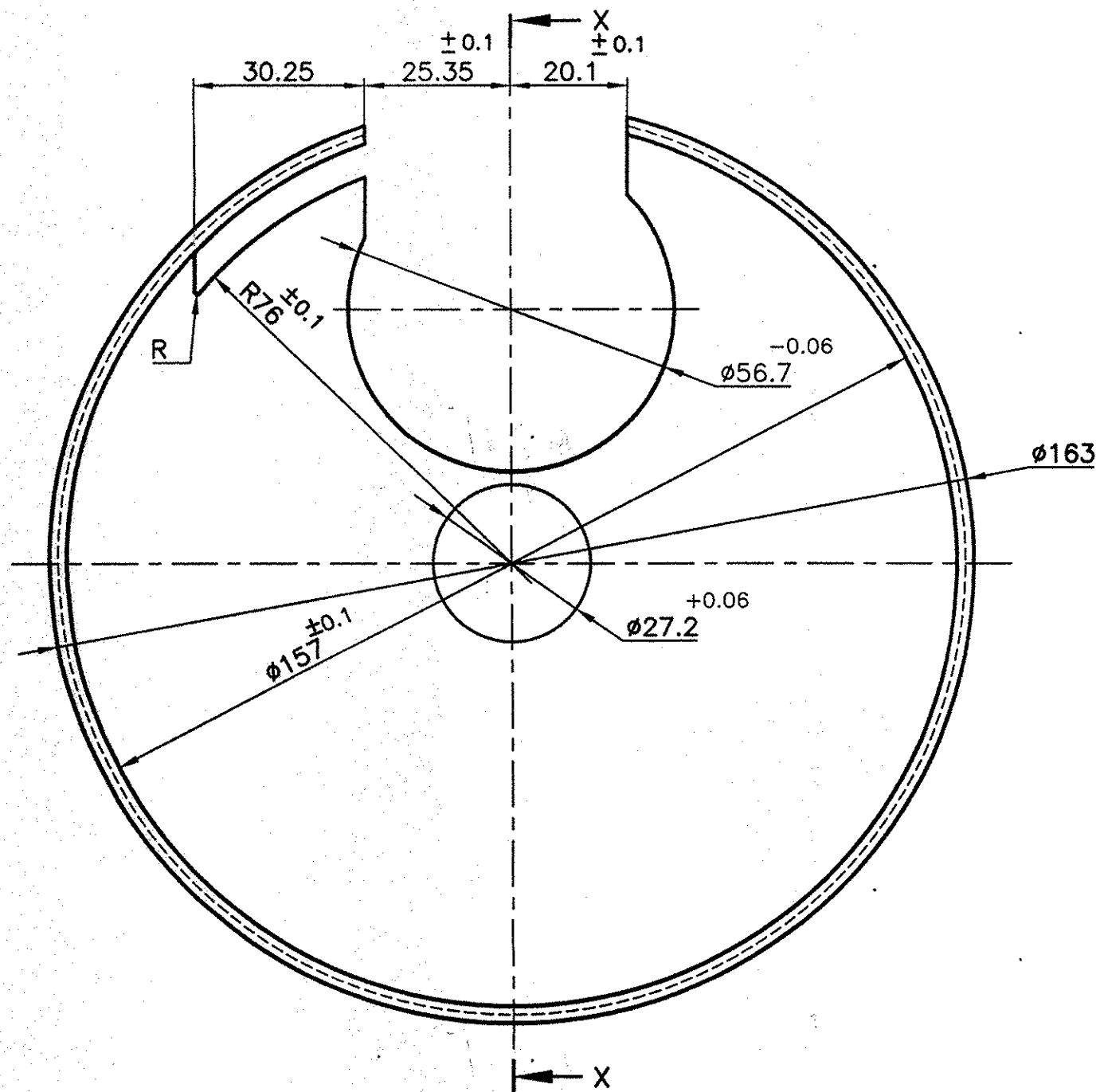


MATERIAL : IS:2507-1975, GRADE-1, DESIGNATION - 45C8.  
 (OR) BS:1449, PART-1, 1983, CS50 (OR) CS55.  
 HARDNESS: 400 - 450 HV.



SECTION AT "XX"

DIMENSIONS ARE IN mm.  
UNTOLERATED DIMNS. AS PER IS : 2102 (MED)  
SHARP CORNERS SHOULD BE BLUNT TO R 0.5  
PROTECTIVE FINISH : PHOSPATED TO SPECIFICATION. JSS : 0465-01-1988  
CLASS-I (ACCELERATED) OIL FINISH ON ASSEMBLY.

|            |             |                             |                                      |               |
|------------|-------------|-----------------------------|--------------------------------------|---------------|
| AMENDMENTS | SIG. & DATE | SIGNATURE & DATE.           | SUB: SHIELD FRONT                    | SCALE 1:1     |
|            |             |                             | FOR: HOUSING LAUNCHER ASSY           | STORE DRG.NO. |
|            |             | TRACED                      | OF: 40mm MGL                         | OPERATION NO. |
|            |             | DRAWN <i>S. Venkatesh</i>   | DES. REF. NO.                        |               |
|            |             | CHECKED                     | DRG. No.: 30P 1102                   | SHEETS: 1     |
|            |             | HOS/D&DO <i>[Signature]</i> | ORDNANCE FACTORY TIRUCHIRAPPALLI-16. | SHEET No.: 1  |
|            |             | MODEL OFFICER/ FOR MGL      |                                      |               |
|            |             | OFFICER/ D&DO               |                                      |               |
|            |             | APPROVED ON. 25/02/2015     |                                      |               |