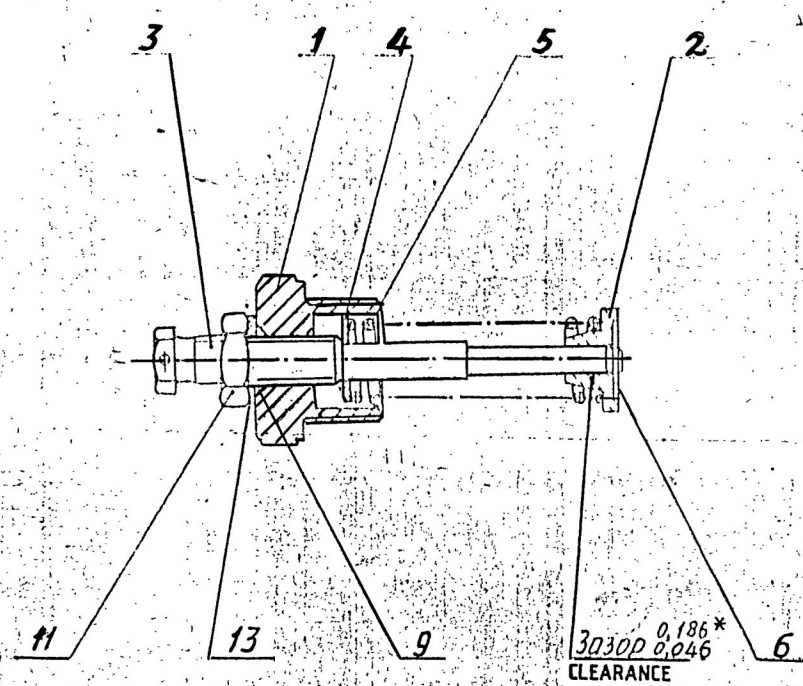


ORG. INDIANISED BASED ON RUSSIAN ORIGINAL ISSUE No: 4 (BK 80-209)

LD 312-03-2CB



1. Детали, имеющие в спецификации данного чертежа в графе „Примечание“ обозначение ТЦ, должны иметь защитное покрытие, предусмотренное чертежами на детали.

2* размер для справок.

TECHNICAL REQUIREMENTS

- COMPONENTS, DESIGNATED BY TЦ IN THE REMARKS COLUMN OF DRAWINGS PART LIST SHOULD BE AS PROTECTIVE COATING, SPECIFIED IN THE DRAWINGS OF COMPONENTS.
- * DIMENSION FOR REFERENCE.

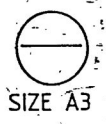
PILOT SAMPLE SHOULD BE APPROVED BY A H S P BEFORE BULK PRODUCTION

EST. WT. 0,1635Kg. TO BE STAMPED OR MARKED WHERE INDICATED THUS # (LETTERS)

ALL SHARP EDGES AND CORNERS TO BE REMOVED UNLESS OTHERWISE STATED. MACHINED CORNERS TO HAVE R OUT SIDE R INSIDE EQUIVALENT CHAMFERS ARE PERMISSIBLE.

DRN:	
CHD:	
TCD:	
APPD:	
DATE:	09 Nov 89
SCALE:	1:1
DIMENSIONS IN mm	
TOLERANCE ON DIMNS	
UNLESS OTHERWISE	
STATED IS:2102-69	
ALL THREADS TO	
CONFORM TO	
ISSUE DATE	
NATURE OF AMENDMENTS	

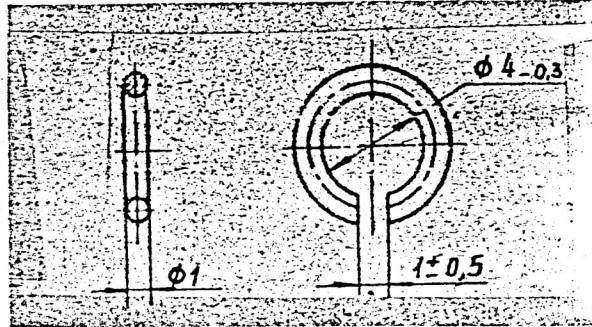
MATERIAL:-	USED ON C8 3312-00-15 C8 20-12-01-13
CONTROLLERATE OF QUALITY ASSURANCE (HEAVY VEHICLES) AVADI	TITLE PRESSURE REDUCING VALVE ASSY
D S CAT NUMBER	DRAWING NUMBER C8 312-03-2CB





KVD.No. 63295

DRAWING NUMBER
312-14



- 1) TOTAL LENGTH IS APPROXIMATELY 15mm.
- 2) COATING : CHEMICALLY OXIDIZED, OILED.
- (A) 3) DEVIATION OF PLANE (SETTING OF LEADS) IS ALLOWED NOT MORE THAN 0.3mm.

EXPLANATORY NOTE :-

Material Quoted: wire II-1 GOST 9389-75
carbon steel cold drawn wire; II = category to either grades KT-2 or SK-7, 1 = 1mm dia.
chemical composition:

Grade of steel	C	Si	Mn.	S	P	Cr	Cu	Ni
				MAXIMUM				
KT-2	0.86 -	0.17 -	0.20 -	0.020	0.020	0.05	0.05	0.10
	0.91	0.37	0.40					
SK-7	0.68	0.17 -	0.50 -	0.030	0.030	0.05	0.05	0.04
	0.76	0.37	0.80					

Mechanical Properties:

Tensile strength $\text{kgf/mm}^2 = 180 - 205.$

(B) EQUIVALENT MATERIAL
Gr. SM/SH IS:4454-2001

PILOT SAMPLE SHOULD BE APPROVED BY A H S P BEFORE BULK PRODUCTION

EST. WT. 100 PIECES FOR 0.01K9 TO BE STAMPED OR MARKED WHERE INDICATED THUS # 1 LETTERS)

ALL SHARP EDGES AND CORNERS TO BE REMOVED UNLESS OTHERWISE STATED MACHINED CORNERS TO HAVE R OUT SIDE INSIDE EQUIVALENT CHAMFERS ARE PERMISSIBLE

DRN	G. Rang.	MATERIAL:- WIRE II-1	USED ON:- 6312-03-5
CHD	W. Rang.	GOST 9389-75	CB-312-03-2
TCD	W. Rang.		
APPD	W. Rang.		
DATE	24-4-89	CONTROLLERATE OF QUALITY ASSURANCE (HEAVY VEHICLES)	
SCALE:-	5:1	AVADI	
DIMENSIONS IN mm		TITLE RETAINING RING	D S CAT NUMBER
TOLERANCE ON DIMNS UNLESS OTHERWISE STATED IS:2102-69			
ALL THREADS TO CONFORM TO:		DRAWING NUMBER 312-14	
ISSUE	DATE	NATURE OF AMENDMENTS	
B	16-8-10	4 th Alt. Comm. Meeting Minutes	
A	17-7-96	Point No.13 Dt:26-10-09	
		AUTHY. NOTN. No. BK00-450.	

(A6/45)
SIZE A3

Cb 20 - 32 - 01 - 13
Cb 3312 - 00 - 15

I/L CREATED BASED ON RUSSIAN ORIGINAL ISSUE No:4 (BK 85-471)

ITEM	DRAWING NUMBER	D S CAT NUM	DESCRIPTION	OFF	REMARKS
	Cb 312 - 03 - 2		REDUCING VALVE ASSY.		
	- & ITEM LIST				
1	312 - 08		REDUCING VALVE BODY	1	
2	312 - 09 - 1		VALVE	1	
3	312 - 10 - 4		ADJUSTING BOLT	1	
4	312 - 11 - 2		SPRING THRUST WASHER	1	
5	312 - 12 - 4		REDUCING VALVE SPRING	1	
6	312 - 14		RETAINING RING	1	
9	301 - 161A		SEALING RING	1	
11	351 - 60		NUT M10 x 1	1	
13	353 - 07 - 1		^{2-115 H7} FINISHED WASHER -10	1	

ISSUE	DATE	NATURE OF AMENDMENTS	ISSUE	DATE	NATURE OF AMENDMENTS
DRN	<i>Boniraj</i>	CONTROLLERATE OF QUALITY ASSURANCE (HEAVY VEHICLES) AVADI.	TITLE		
CHD	<i>Boniraj</i>		REDUCING VALVE ASSEMBLY		
TCD	<i>Boniraj</i>		SHT. No 1 OF 1	D S CAT NUMBER	ITEM LIST FOR
APPD	<i>[Signature]</i>				Cb 312 - 03 - 2
DATE	10.11.89				

