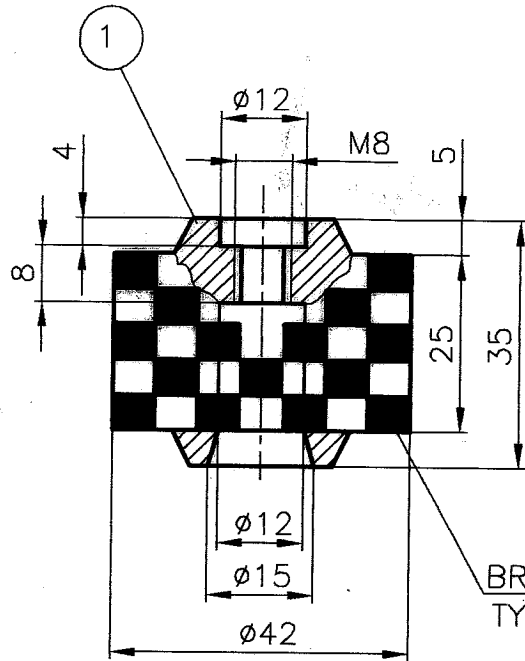


DIMENSIONS ARE IN mm.
 UNTOLERATED DIMNS. AS PER IS : 2102 (MED)
 MARK DRAWING No.



2
 BRISTLE NYLON IS:1843,
 TYPE 2 OR 3 DIA. 0.5

DRG. PROVISIONAL

2	BRISTLE	1	AS ABOVE		
1	MOP	1	NYLON	-	-
PART NO.	DESCRIPTIONS	NO OFF	MATERIAL	TREATMENT	REMARKS

 TRACED DRAWN CHECKED OIC/D&DO OFFICER/PRDN. OFFICER/D&DO APPROVED ON. 12/2007	SIGNATURE & DATE. SUB: <u>MOP CLEANING BARREL</u> FOR: <u>TOOLS & ACCESSORIES</u> OF: <u>40 MM M.G.L</u> DES. REF. NO. DRG. No.: 30 T 1700 019 B4  ORDNANCE FACTORY TIRUCHIRAPPALLI-16.	SCALE NTS
		STORE DRG. NO.
AMENDMENTS SIG. & DATE DANG. 02/17 Dt. 16/1/2017 	OPERATION NO.	SHEETS: 1 SHEET No.: 1