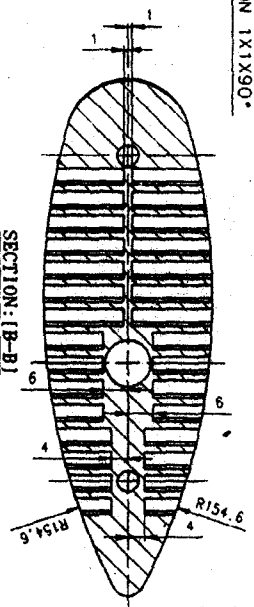
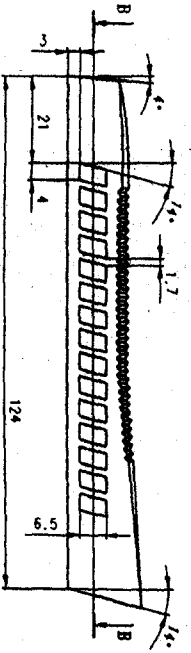


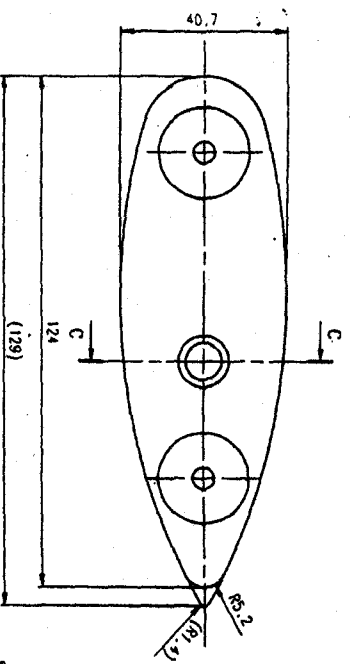
STRAIGHT SERRATION 1X1X90°



SECTION: (B-B)



SECTION: (A-A)



SECTION: (C-C)

NOTE:-- 15 TO 20 NOS. OF SAMPLES ARE TO BE CHECKED  
DIRECTIONALLY/FUNCTIONALLY BEFORE BULK SUPPLY  
WEIGHT:-- 23.5 gm (APPROX)

MATERIAL: DESMOPAN-8651 (POLYURETHANE)  
COLOR : BLACK

ALL DIMENSIONS ARE IN mm

ASSY. DRAWING NO.: TSP-400

GENERAL TOLERANCE IS: 2102 MEDIUM CLASS					
ABOVE	0.5	3	6	30	120
UP TO	3	6	30	120	315
DEVIATION	+0.1	+0.1	+0.2	+0.3	+0.5

DRG. SEALED  
ON:- 22-04-08  
(DEEPA GUPTA)  
Jt. GENERAL MANAGER  
FOR GENERAL MANAGER

THIS IS A COPY OF  
THE ORIGINAL OF THE  
DRAWING AS PER SCHEDULE  
M & S, LDD  
RIFLE FACTORY ISHAPORE

DC EST. NO.	DATE	DRAWING DIMS. VIEWS & DESIGN. REV. SED.	AUTHORITY	SIGN.
080/030/08	22.04.08		Jt. GM, ASSY.	

INDIAN ORDNANCE FACTORIES RIFLE FACTORY ISHAPORE		
30-06 SPORTING RIFLE PLATE BUTT		
SCALE	1:1	
DRAWN	DESIGNED	DATE
22/04/08	22/04/08	22/04/08
CHECKED	APPROVED	DRAWING NUMBER
		TSP-408
SHEET NO.:	NO. OF:	