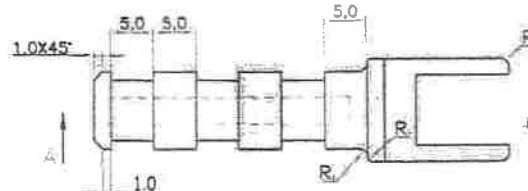
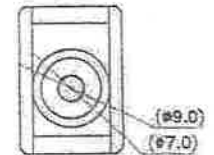
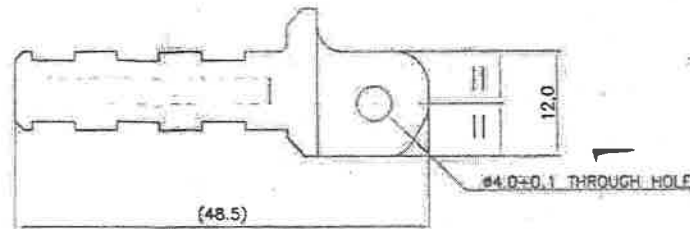
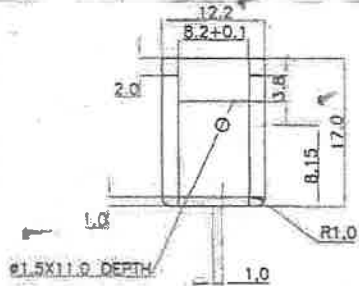


0 2 0 4 0 3 0 3 0 1 1 4 0 0 1 0 0 D C

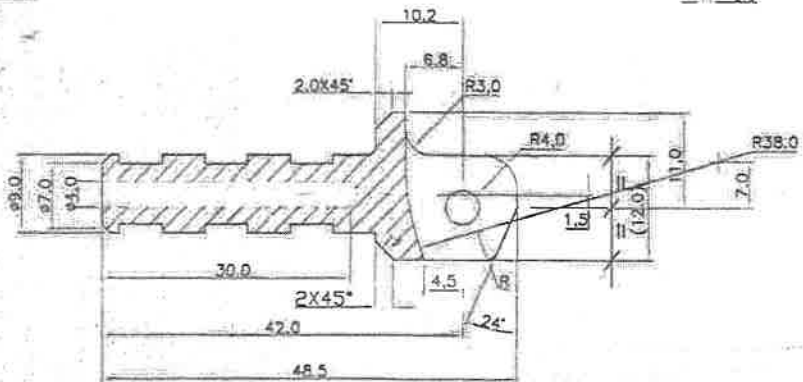
GENL. TOL. FINE/MEDIUM/COARSE  
CLASS TO IS: 2102

CONVERSIONS CONFORM TO INDIA S.P.  
DIN IS 15000: 1998, DEPARTMENT OF STATE

- NOTES:-
- 1) REMOVE ALL SHARP EDGES AND BURRS
  - 2) HARDNESS: 250-300 HV



REFERENCE COPY



SECTION A-A

*Pranav*  
*2/16/18*

1	09-05-16	N/20	DRN 830 WAS 8158	
2	07-02-16	N/21	DRN 813 WAS 5125	
			DRN 2545 WAS 5125	
			DRN 815 AND R-DELETE	
			DRN 645 WAS DRN 30	
			DRN 818 REMOVED	
			Ø20.0 HOLE ON BOTH SIDE, ANGEL 30° REMOVE	

DATE APPROVED: \_\_\_\_\_ SHIP RECORD: \_\_\_\_\_

DRN: PRANAV DATE: 09/05/2016

MATERIAL: STEEL TO IS: 5517-1993, Gd-40C8 (En-8)

PROTECTIVE FINISH: PHOSPHATED TO SPECN.  
IS: 3618-1966, CLASS 'B'

SCALE: 2:1

INSERT COCKING HANDLE

0 2 0 4 0 3 0 3 0 1 1 4 0 0 1 0 0 D C