

DRG. No. GCF/50/39951A

DRAWING CONVENTIONS CONFORM TO SP. 46-1988.
DIMMS. ARE IN mm. UNLESS OTHERWISE STATED.

NOTE (b2) **26**

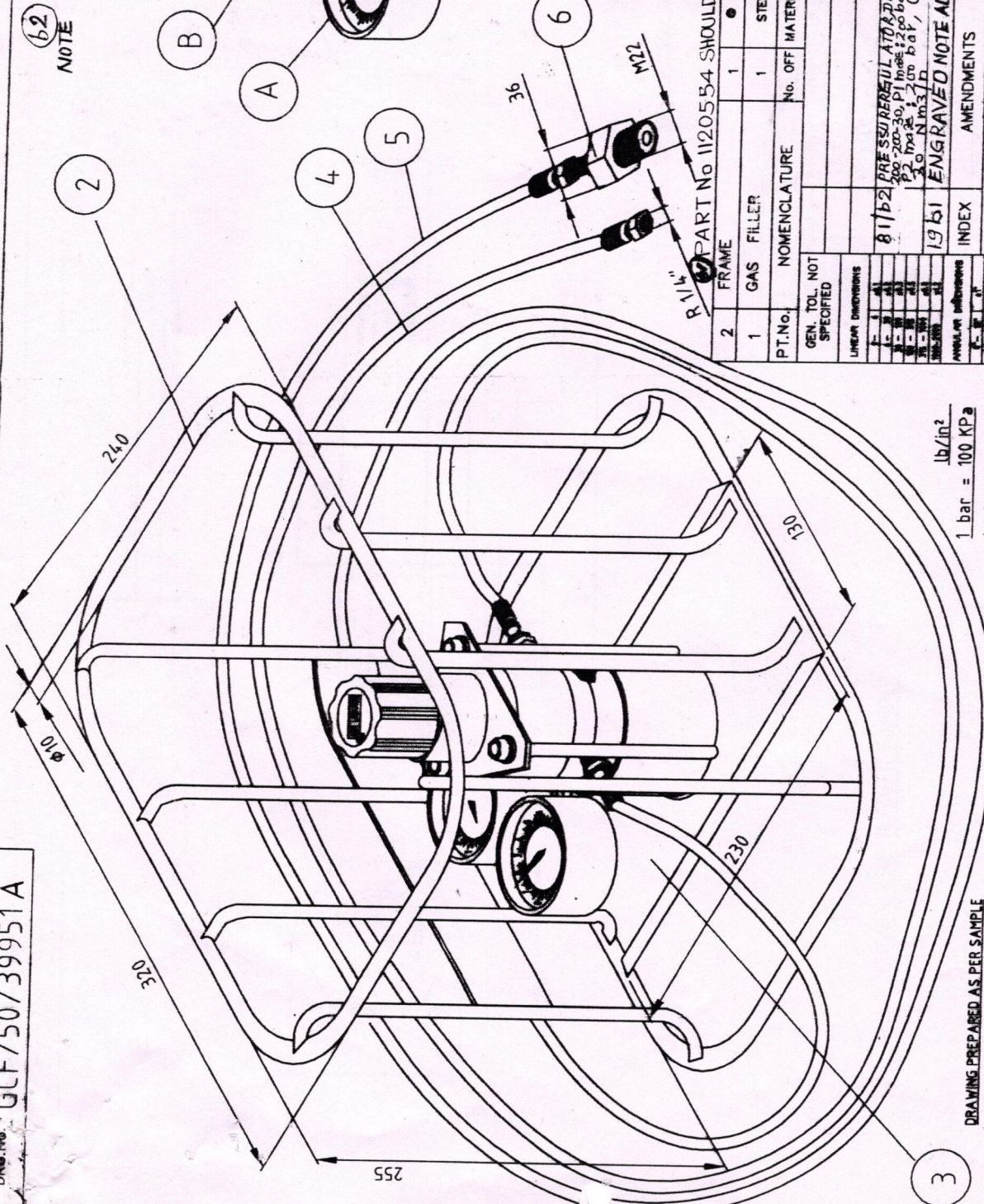
PRESSURE REGULATOR

DHP 200-200-30

P1 max: 200 bar

P2 max: 200 bar

Q: 30 N m³/h



MAIL:-
S. DET. EN 853 ISM - SAE 100RIAT 1/A-
WP 22.5 MPa
Q DET. 2 IS: 2002-2011. 04 F250C
S DET. 3 IS: 513-2008. 02 SIG. CRB. DD.

PART No 1120554 SHOULD BE ENGRAVED FONT SIZE 6 mm

PT. No.	NOMENCLATURE	No. OFF	MATERIAL	HARDNESS	STANDARD	SIZE	REMARKS
2	FRAME	1	STEEL			320X255X240	
1	GAS FILLER	1	STEEL			AS SHOWN	

GEN. TOL. NOT SPECIFIED	LINEAR DIMENSIONS	ANGULAR DIMENSIONS
F 1	± 0.1	± 1
F 2	± 0.05	± 0.5
F 3	± 0.02	± 0.2
F 4	± 0.01	± 0.1
F 5	± 0.005	± 0.05
F 6	± 0.002	± 0.02
F 7	± 0.001	± 0.01
F 8	± 0.0005	± 0.005
F 9	± 0.0002	± 0.002
F 10	± 0.0001	± 0.001

INDEX	AMENDMENTS	SIGN	DATE
1951	ENGRAVED NOTE ADDED 25.7.17		

FOR Sr. GM G.C.F.Y.	2015	'NAME	DATE	APPROVED
	DRN.	JKOSTA	29.04.15	
	CKD.	Afob		
	MIR/DOC			
	SEC.			
	SCALE	1:1		
	REF. DEM.			
	REF. DRG. No.	1120554		

UNMACHINED	ROUGH	SMOOTH	FINISH
~	∇	∇∇	∇∇∇

AS SHOWN	SEE SHT. 2
13"-4" APPROX.	
8"-6" APPROX	
AS SHOWN	

ADAPTOR	HOSE CONNECTION	HOSE CONNECTION	PLATE
1	1	1	1

DRAWING PREPARED AS PER SAMPLE

NOTE:--HOSES TO BE PROVIDED WITH END. FITTINGS AS SHOWN

GAS FILLER UNIT
1120554
(155 mm DHANUSH)

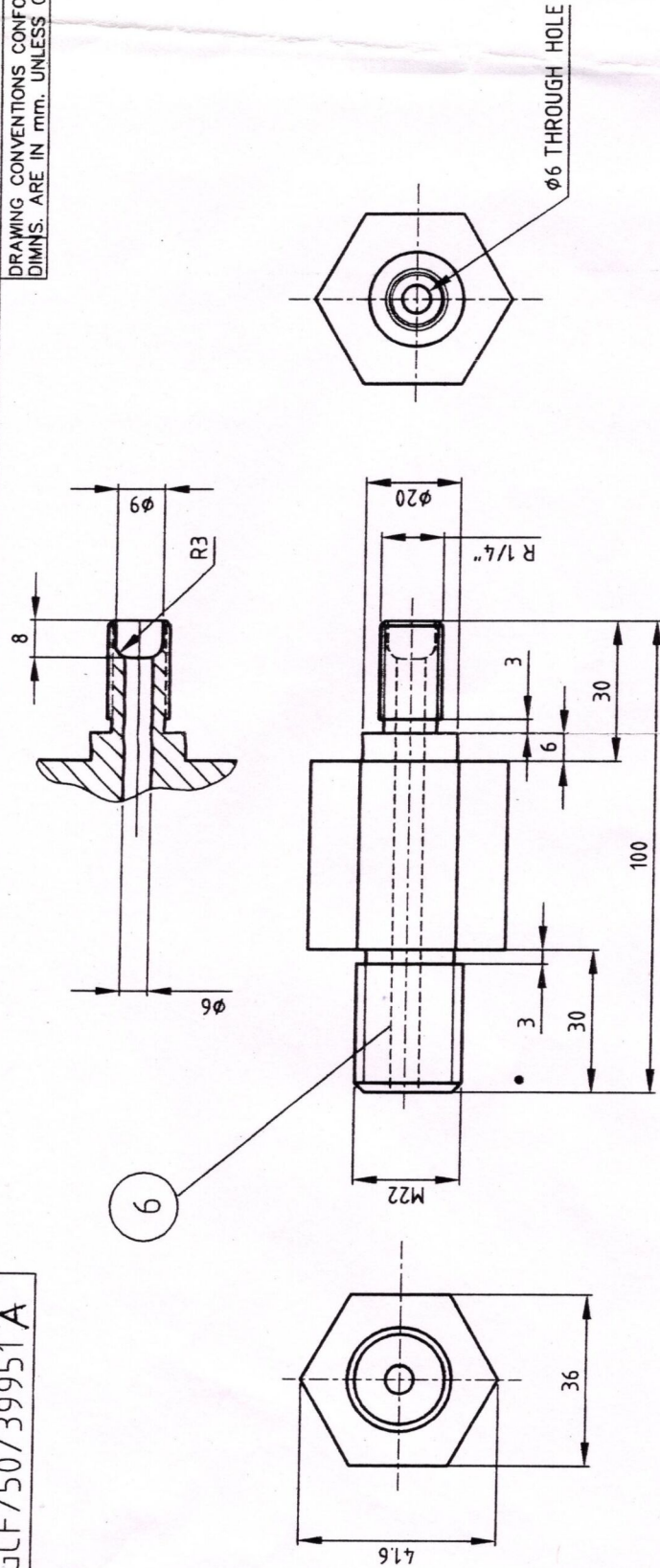
GUN CARRIAGE FACTORY, JABALPUR

DRG. No. GCF/50/39951A
SHEET NO. 1 OF 2 SHEETS

25

DRG. No. - GCF/50/39951 A

DRAWING CONVENTIONS CONFORM TO SP: 46-1988. DIMNS. ARE IN mm. UNLESS OTHERWISE STATED.



MATL. BS: 2874 - 1986. Gd. CZ116

DROWN AS PER GIVEN SAMPLE

6	ADAPTOR	1	#	HARDNESS	STANDARD	AS SHOWN	REMARKS
PT.No.	NOMENCLATURE	No. OFF	MATERIAL			SIZE	
GEN. TOL. NOT SPECIFIED							
LINEAR DIMENSIONS							FOR 8F. GM G.C.F.Y.
1 - 1.51							2015 NAME DATE APPROVED
1.51 - 3.02							DRN. JKOSTA 29.04.15
3.02 - 4.53							CKD. Alok
4.53 - 6.04							HSS/DOC
6.04 - 7.55							SEC. M/C
7.55 - 9.06							JMM/Shop
9.06 - 10.57							JMM/TR
10.57 - 12.08							VERGAL INSTRUCTION DR. DDC
12.08 - 13.59							SCALE 1:1
13.59 - 15.10							REF.DRG.No1120554
15.10 - 16.61							DRG.No. GCF/50/39951A
16.61 - 18.12							SHEET NO.2 OF 2 SHEETS
AMENDMENTS	INDEX	AMENDMENTS	SIGN	DATE			
GAS FILLER UNIT							
1120554							
(155 mm DHANUSH)							
GUN CARRIAGE FACTORY, JABALPUR							