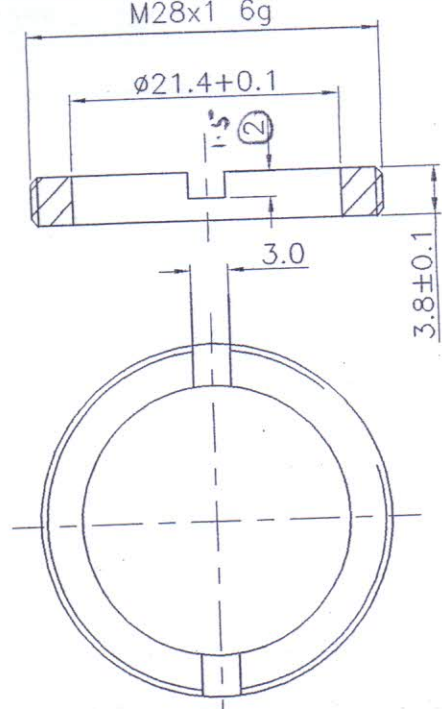


1 2 3 4

DRG.No. 91102 IC 010 SS 010 S 010 AA 010 A 003 C 010 T B SST

A GEN TOL FINE/MEDIUM/COARSE CLASS TO IS:2102 DRG CONVENTIONS CONFIRM TO INDIAN STD DIMN IN mm UNLESS OTHERWISE STATED



SLOT DEPTH 1.5 mm

NOTE:- ALL BURRS TO BE REMOVED AFTER MACHINING  
 COMPONENT TO BE SEALED WITH RUST PREVENTIVE OIL AFTER PHOSPHATING  
 SURFACE FINISH:- 3.2/ ALL OVER

S No	DATE	AUTHORITY	BRIEF RECORD	ZONE	CD	GO
DRN SNK		CHD	MATERIAL		SIGN	
APPD DATE		<i>Adelware</i> For Director	STEEL TO SPEC.IS:1570 Pt.II-1979 TO DESIGNATION 15 C 4.			
SEALED DATE			PROTECTIVE FINISH			
SCALE	1:2	EST MASS 5.8g	PHOSPHATING TO IS:SPEC. 3618 CLASS 'B'			
DESIGN AUTHORITY	ARDE		TITLE	RETAINER		
	PUNE 411021					

F DRG.No. 91102 IC 010 SS 010 S 010 AA 010 A 003 C 010 T B SST

PART No DS CAT No AHSP



**FAX MESSAGE**  
**ARMAMENT RESEARCH & DEVELOPMENT ESTABLISHMENT**  
**PASHAN, ARMAMENT POST, PUNE - 411 021, INDIA.**

Fax:	(91) - 020 - 25893102	No. of Pages:	01
Telex:	(935) 0145 7264	(Including this Page)	
Telegram:	ARMAMENTS, PUNE 411 021		
E - Mail	tircarde@vsnl.com		
Originator's Phone:	(91) - 020 - 25887934	Page No.:	01
In case of interrupted / illegible transmission, please ring immediately Originator's Phone No.: (91) - 020 - 25884451			
From	The Director A.R.D.E., Pashan Pune-411021	To	The General Manager, O.F.Chanda, Chandrapur - 442 501 ( Fax No: 07175 - 254043/254276) ( Kind Attn. H.H GHATE, JWM)
SUBJECT: : 30 MM HE GRENADE ( RUDRA ) FOR AGS-17			
REF.	OF.CHANDA FAX NO. 8961/R&D/OFCH DT. 25/03/09		

ARDE/12/1/90-TECH-DT. 30<sup>TH</sup> MARCH' 2009 (.) FOLLOWING AMENDMENT MAY PLEASE BE INCORPORATED IN THE RETAINER DRAWING NO. 9102 00 01 00 01 003 00TB

<u>FOR</u>	<u>READ</u>
DEPTH OF SLOT 2.00 MM	DEPTH OF SLOT 1.5 MM

NO SUCH SLOT IS PROVIDED IN IMPORTED RETAINER (.) KIND REGARDS.(.)

DATE: 30.03.09
FAX NO. 37/GNS
30/3
PP
JOM/DC/1
SECTION

*Sri Rastha*  
*30/3/09*

*(A N BHATE)*  
 TOC  
 FOR DIRECTOR ARDE

*Pls see Dtg*

*du/ RD*