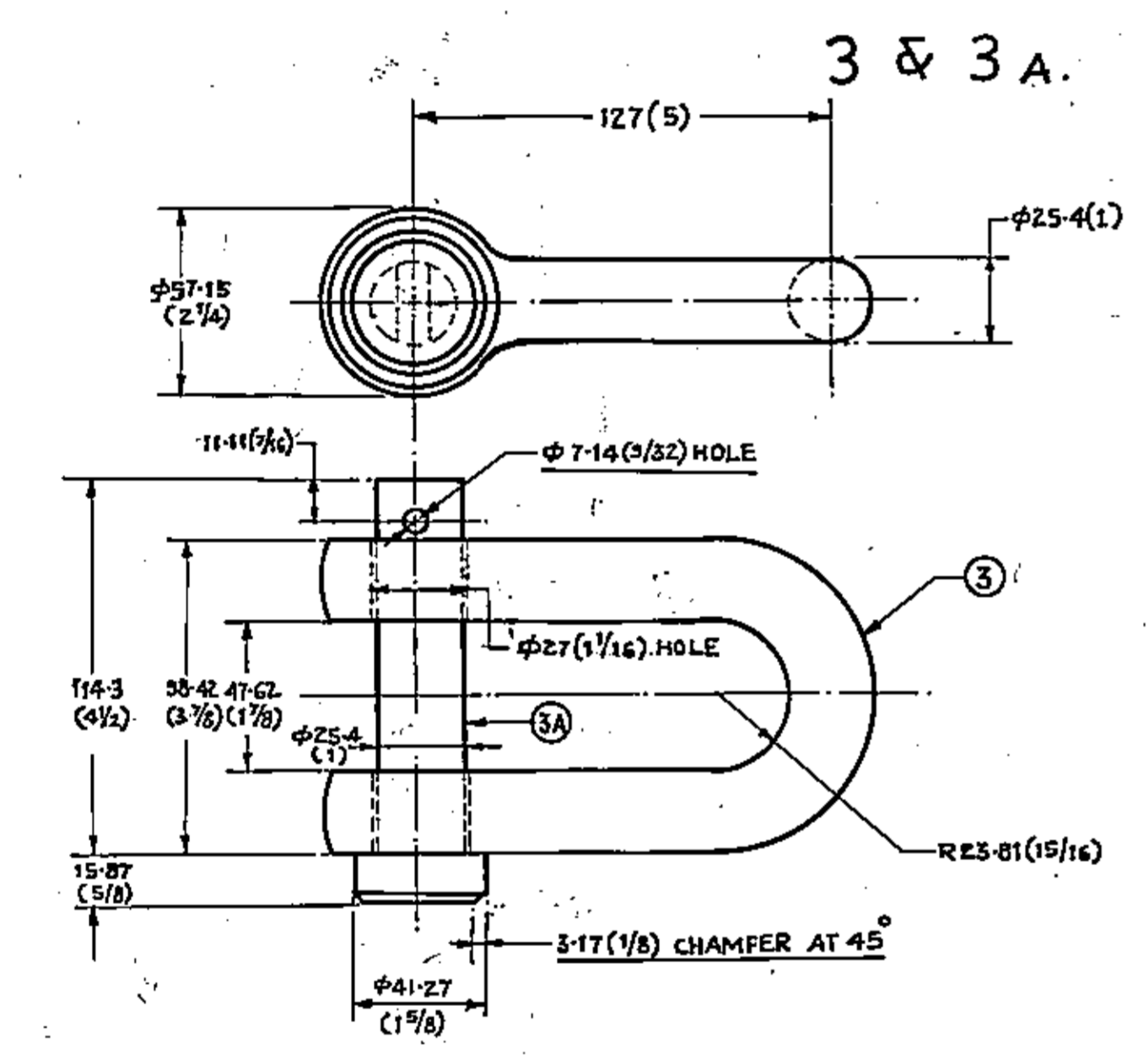


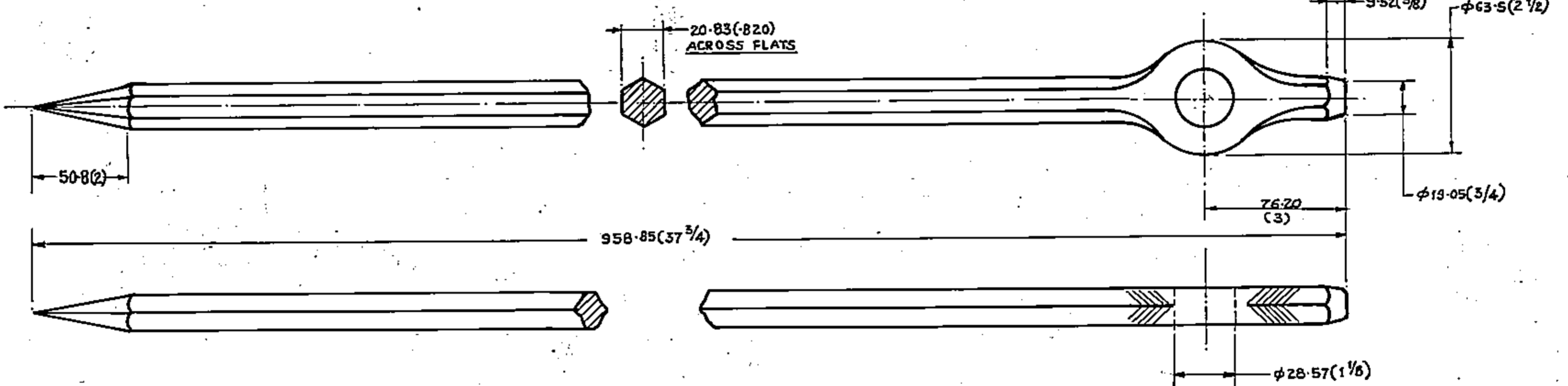
STEEL B.S.S. 5005/201.
PART No. LV6/MT-1/30166/1.

SEALED 15-2-37 M 637	
AMENDMENTS	
DATE & INITIALS	NATURE
02-09-03	DRG RETRACED WITH ALL AMENDMENTS UP TO/B
	DACQA (DRG)



③ SHACKLE
③A PIN
WITH PIN KEEP SPLIT. 6.35 X 57.15(1/4) X 2.14 LONG
STEEL EN 8-V4A.
2 TO A SET

PART No. LV6/MT-1/30166/3.



SPIKE
TOUGH ROCK DRILL STEEL, OR STEEL TOOL, CARBON, N° 3 TEMPER.
8 TO A SET

PAINTING-- TO BE PAINTED WITH ONE COAT OF PAINT PRIMER TO SPECN IND/SL/3142, AND TWO COATS OF PAINT FINISHING (OLIVE GREEN SCAMIC 314) TO SPECN. IND/SL/3119 (LATEST)

PART No. LV6/MT-1/30166/2.

DRAWING NOT TO BE SCALED.
SCALE=1/2

ANCHOR, EARTH, HOLDFAST, N° 1, MARK II/L/
COMPRISING BAR, 8 SPIKES, AND 2 SHACKLES EACH WITH PIN WITH KEEP PIN

C.I.A.(B)
185/1-3/

TRACED -- sd/-xx
CHECKED -- sd/-xx
APPROVED -- sd/-xx
DATE -- 22-5-42
sd/-xx
MAJOR
A.I.M.S.

PART No. LV6/MT-1/30166

ALL PARTS TO BE STAMPED WHERE PRACTICABLE WITH DRG. & PART No. WHEN ORDERED SEPARATELY THEY MUST ALSO BE STAMPED WITH CONTRACTOR'S INITIALS & YEAR OF SUPPLY.
ALL SHARP EDGES & CORNERS TO BE REMOVED.
ALL HOLES TO BE DRILLED.
PARTS MARKED THUS XXX TO BE ROUGH MACHINED.
ALL DIMENSIONS ARE IN mm, INCH EQUIVALENT SHOWN IN BRACKET.