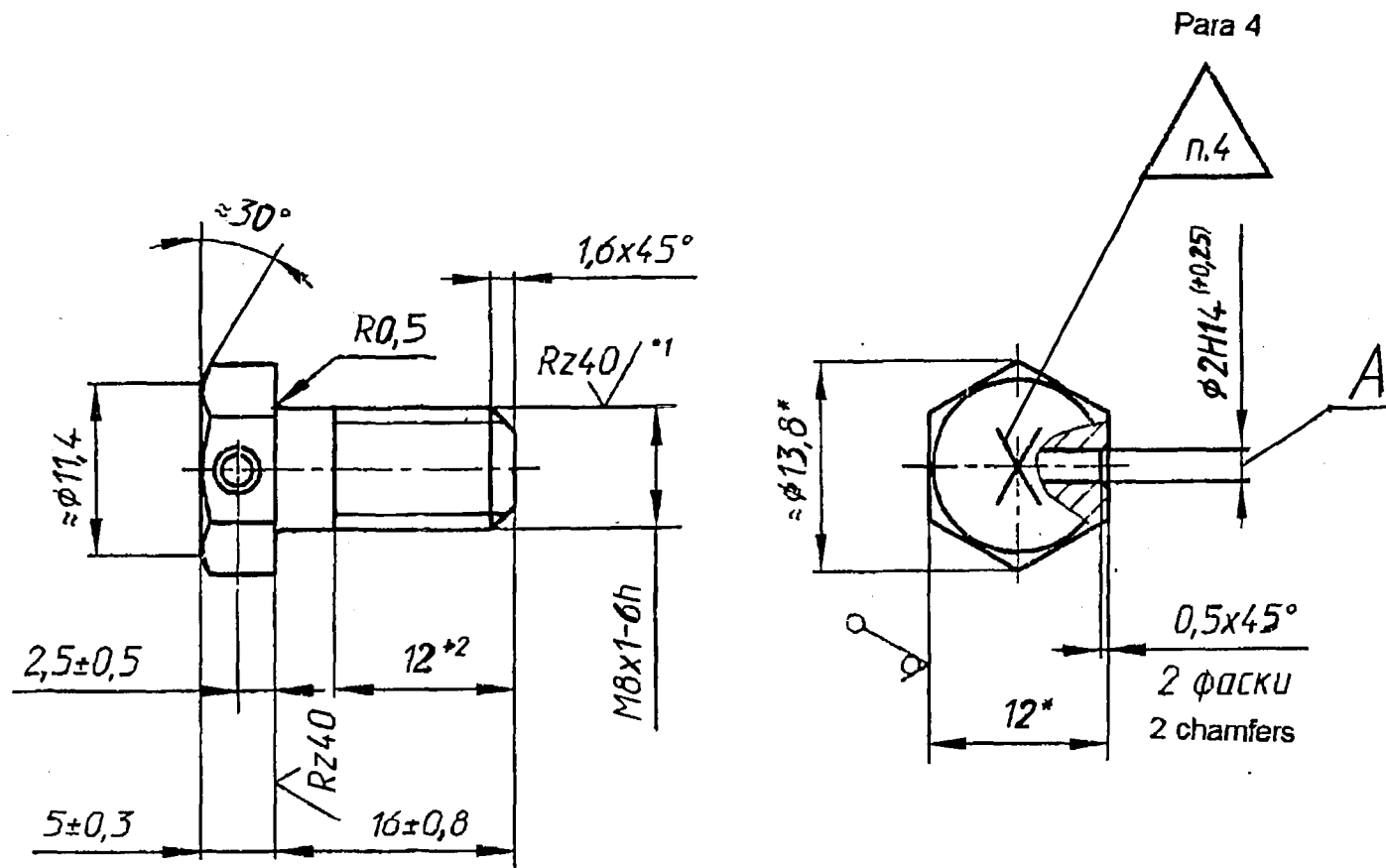


DRAWING NUMBER
172.47.051-1

SHEET No. 1 OF 1

Rz80/ (✓)



- 1) BHN 255—302 may be checked in the blank
- 2) Symmetry tolerance for hexahedron T/2 0.5mm
- 3) Symmetry tolerance of hole A relative to the hexahedron axis T/2 1mm
- 4) To be stamp marked . Type П0-3 GOST 2930-62
- 5) Instead of stamp marking 'X', Two distinctive marks may be made at least on two ribs of hexahedron in any place with 0.5^{+0.5} mm depth
- 6) Coating Zn6 , chromating
- 7) Remaining requirements are as per GOST 1759.0-87 and 520.TY 1
- 8) *Dimensions are for reference
- 9) *1 Surface finish should be ensured with tool.

DRG. INDIANISED BASED ON RUSSIAN ORIGINAL ISSUE -B
COMMON TO T-72 & BLT

356
SUPPLY CODE
U-01-1-1
D90014
F-14
25
SIZE A3

PILOT SAMPLE SHOULD BE APPROVED BY A H S P BEFORE BULK PRODUCTION.

EST. WT. (Kg) 0.009 TO BE STAMPED OR MARKED WHERE INDICATED THUS # (LETTERS)

ALL SHARP EDGES AND CORNERS TO BE REMOVED UNLESS OTHERWISE STATED MACHINED CORNERS TO HAVE R OUT-SIDE R INSIDE EQUIVALENT CHAMFERS ARE PERMISSIBLE.

			DRN	V. S.	MATERIAL :- HEXAHEDRON	USED ON :- 172.45Cb-8Cb
			CHD	V. S.	12-h11 GOST 8560-78	172-40-050CDBCb
			APPD	Chanchel	38XC-E-M-TOGOST4543-71	PV572.0711.0094 (8A)
			DATE	17-03-04	CONTROLLERATE OF QUALITY ASSURANCE (HEAVY VEHICLES)	
				SCALE:- 2 : 1	AVADI	
				DIMENSIONS IN mm	TITLE :-	
				TOLERANCE ON DIMNS UNLESS OTHERWISE STATED IS : 2102 - 69	BOLT	
				ALL THREADS TO CONFORM TO	D S CAT NUMBER	DRAWING NUMBER
8A	06.05.12	55150/CQA(HV)/DB/BLT T-72 Dt.19.07.11				172.47.051-1
8	7	6	ISSUE	DATE	NATURE OF AMENDMENTS	