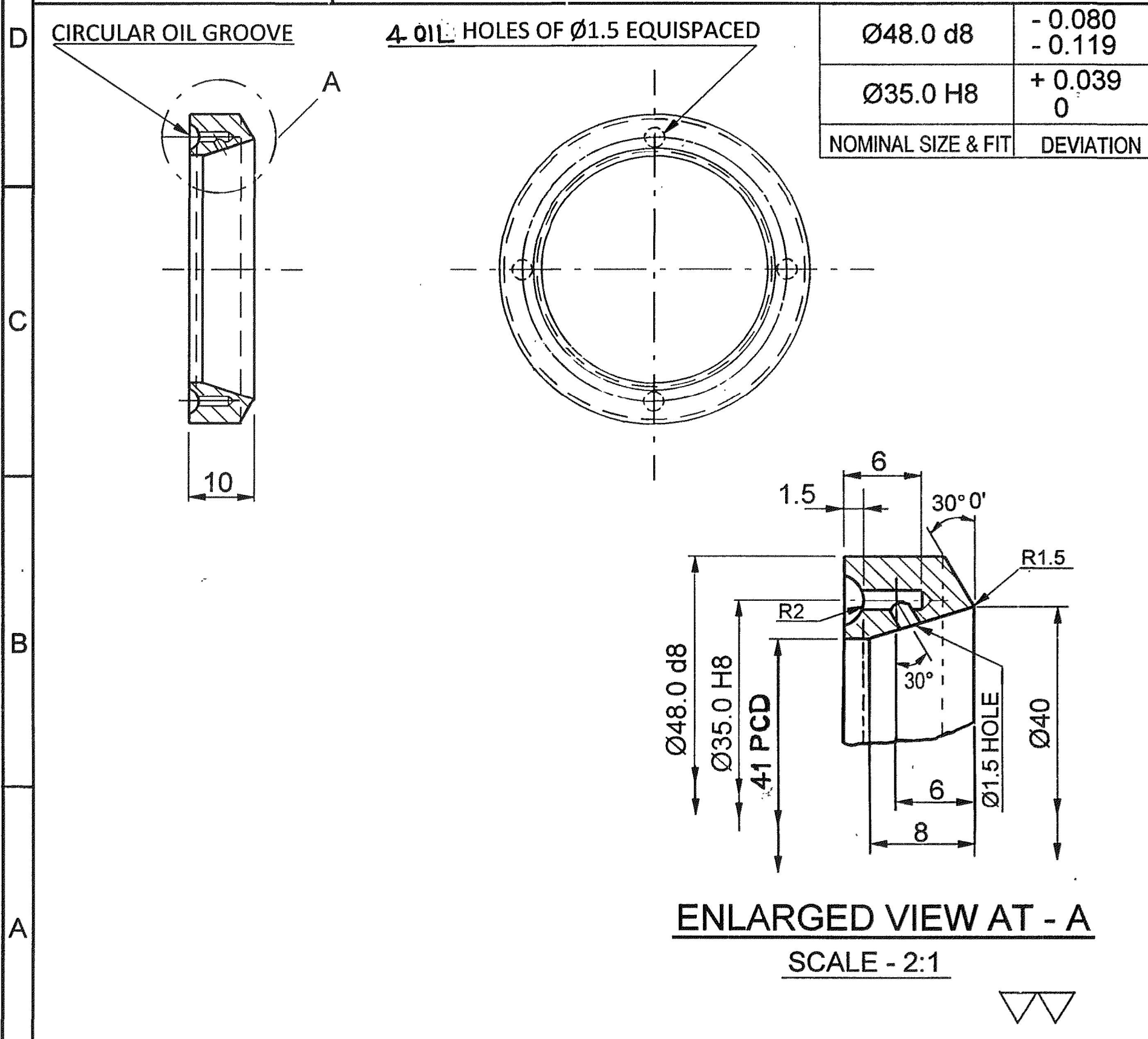


4	3	2	1
DS CAT No. 3040-003628		FOR EXPLANATION OF DIMENSIONING ETC., SEE ARDE NOTE SHT No. 1 DIMENSIONS ARE IN mm. UNLESS OTHERWISE STATED	



					CQA(W), JABALPUR	
			SCANNED & PRINTED WITHOUT CHANGE			
20-2-15					DRN	CHD
DATE	AUTH	ZONE	AMENDMENTS	SIG AHSP	SIG DO	CHD:- P.R. Yagh
PREV DC Nos:- 15961-W, 16095-W, 18819-W & 18897-W DATED 22-02-05					AHSP	
DRG SEALED:- 16095-W DATED 23-12-83					FOR CQAW	
SCALE:- 1:1 & 2:1					ASSY DRG	
ESTD mass:					1015-000566	
DATE:-						
MATERIAL:- BS:2874 PB 102 OR BS: 1400 PB 1 CONTINUOUS CAST					DESIGN No	
PROT FINISH:-					D6P-230403	
COLLAR SHAFT कालर शाफ्ट					PART No	
					IFL-7387	
					DS CAT No	
					3040-003628	