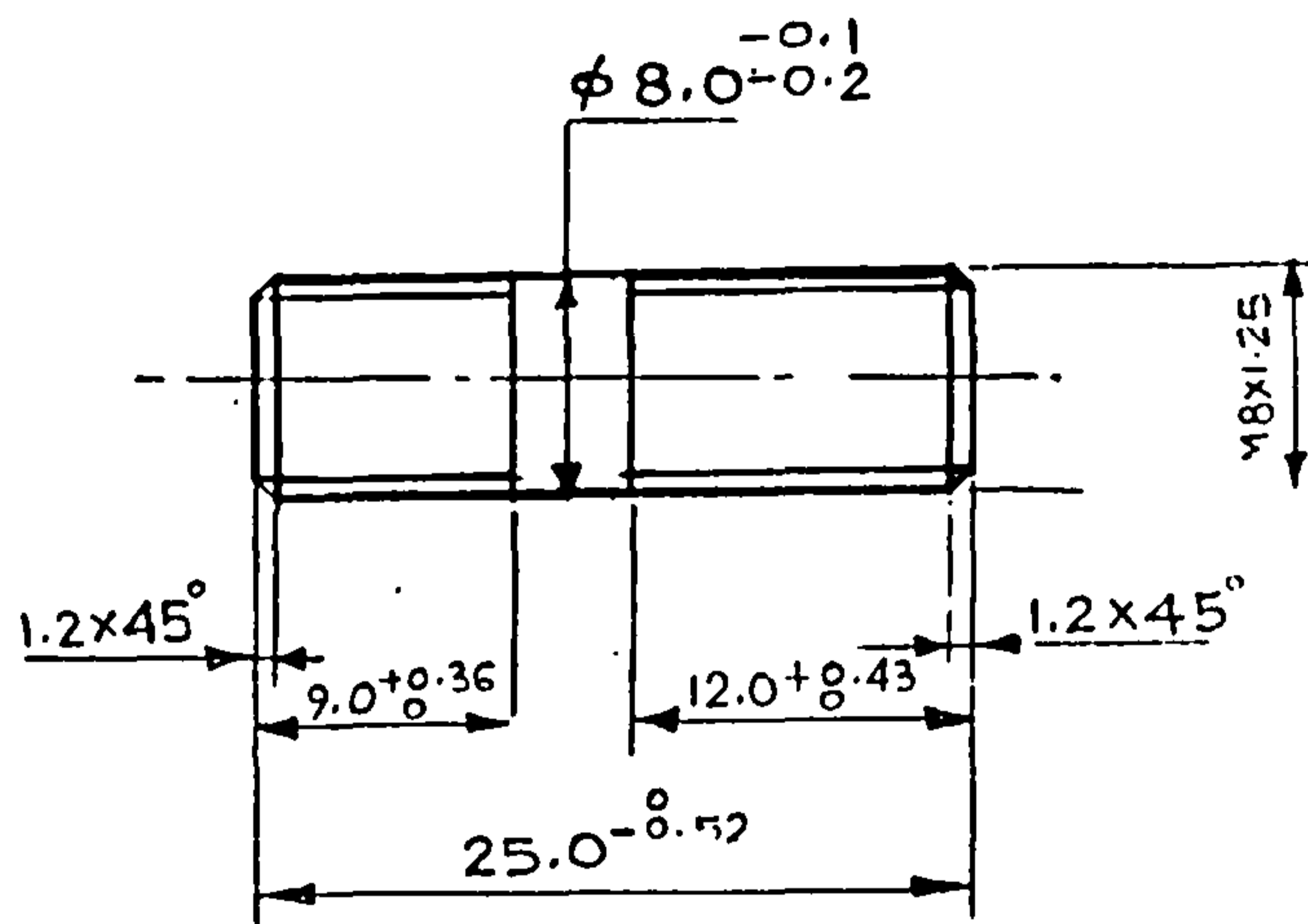


FOR EXPLANATION OF DIMENSIONING ETC, SEE CII TECH. INSTRUCTIONS No.01



D.C.(I):-1426-I(P),1887-I(P),1919-I(P).

DC:-1919-I(P):- POLYESTER NEGATIVE PREPARED & NEW COPY SEALED IN SUPERSESSION OF EXISTING ONE. <i>JS</i>		24.9.95
(a) DC:-1887-I(P):- MATL. AMENDED. <i>JS</i>		26.8.94
D.C.(I):-1426-I(P). DRG. PROV. SEALED. <i>JS</i>		17.4.90
AMENDMENTS		SIG DATE
MATL:- STEEL BS:970 PT.1 1983 GDE (a) 080 M30 OR STEEL C25 OF IS: 7283		DRN <i>JS</i> C.I.D. <i>JS</i> APPLD. for CONTROLLER CQA(I) DATE <i>16/11/90</i>
FINISH:- PHOSPHATED		DIMENSIONS ARE IN mm
TITLE:- STUD		DRG. No. CQA(I) 46/2
BASED ON:-		SCALE:- 2:1 SH OF