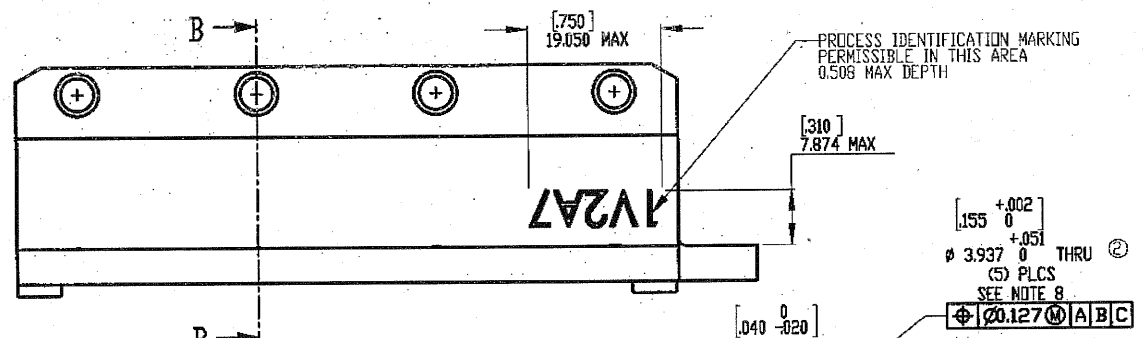
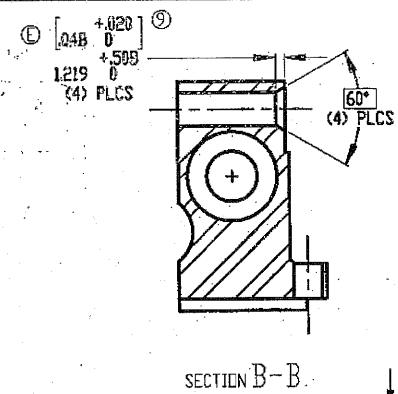
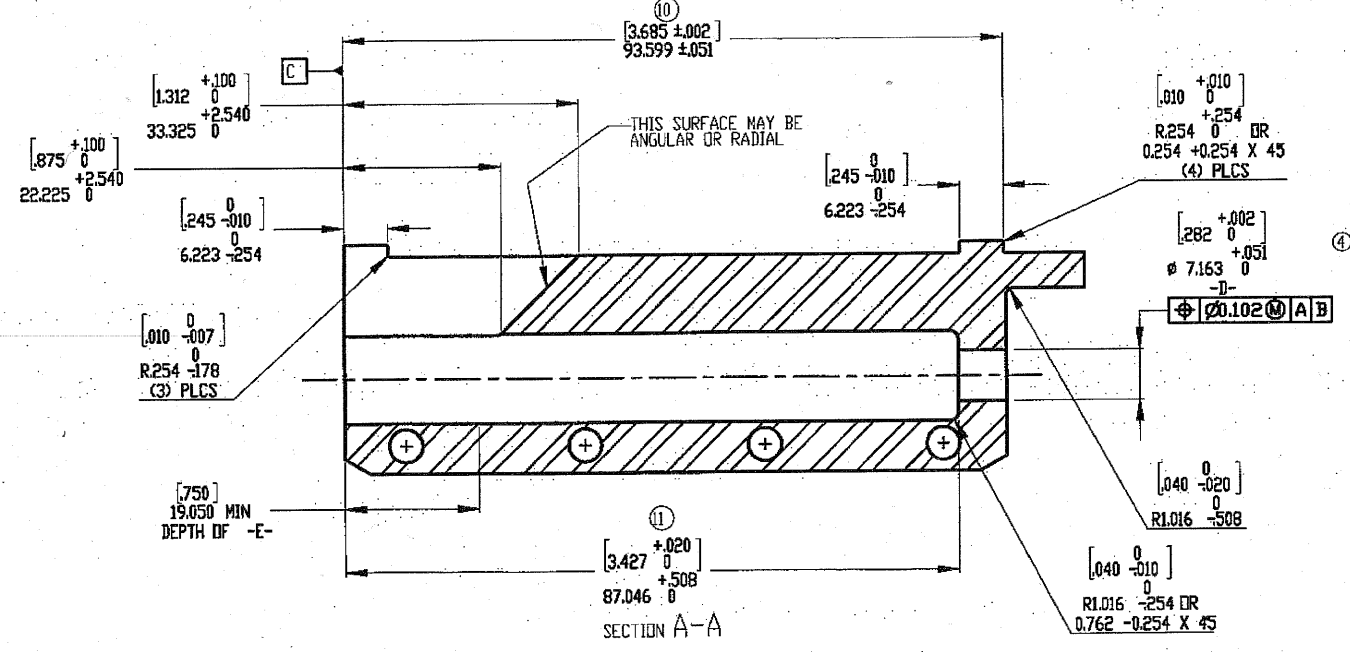
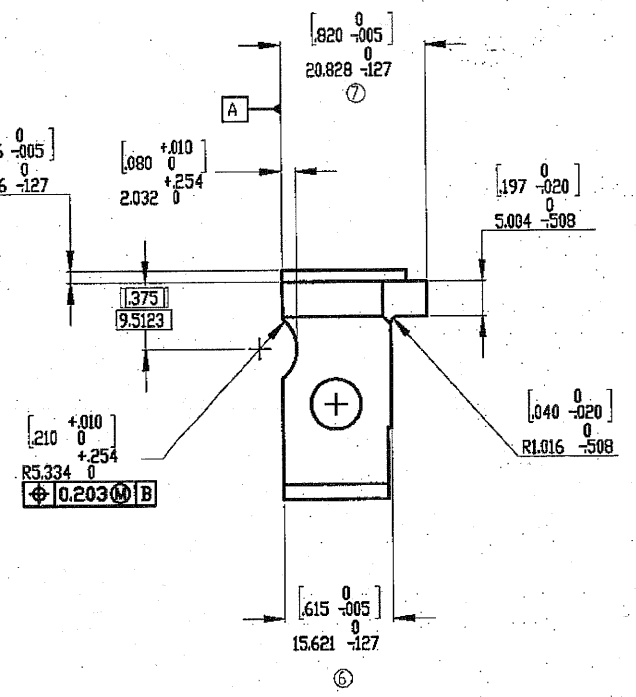
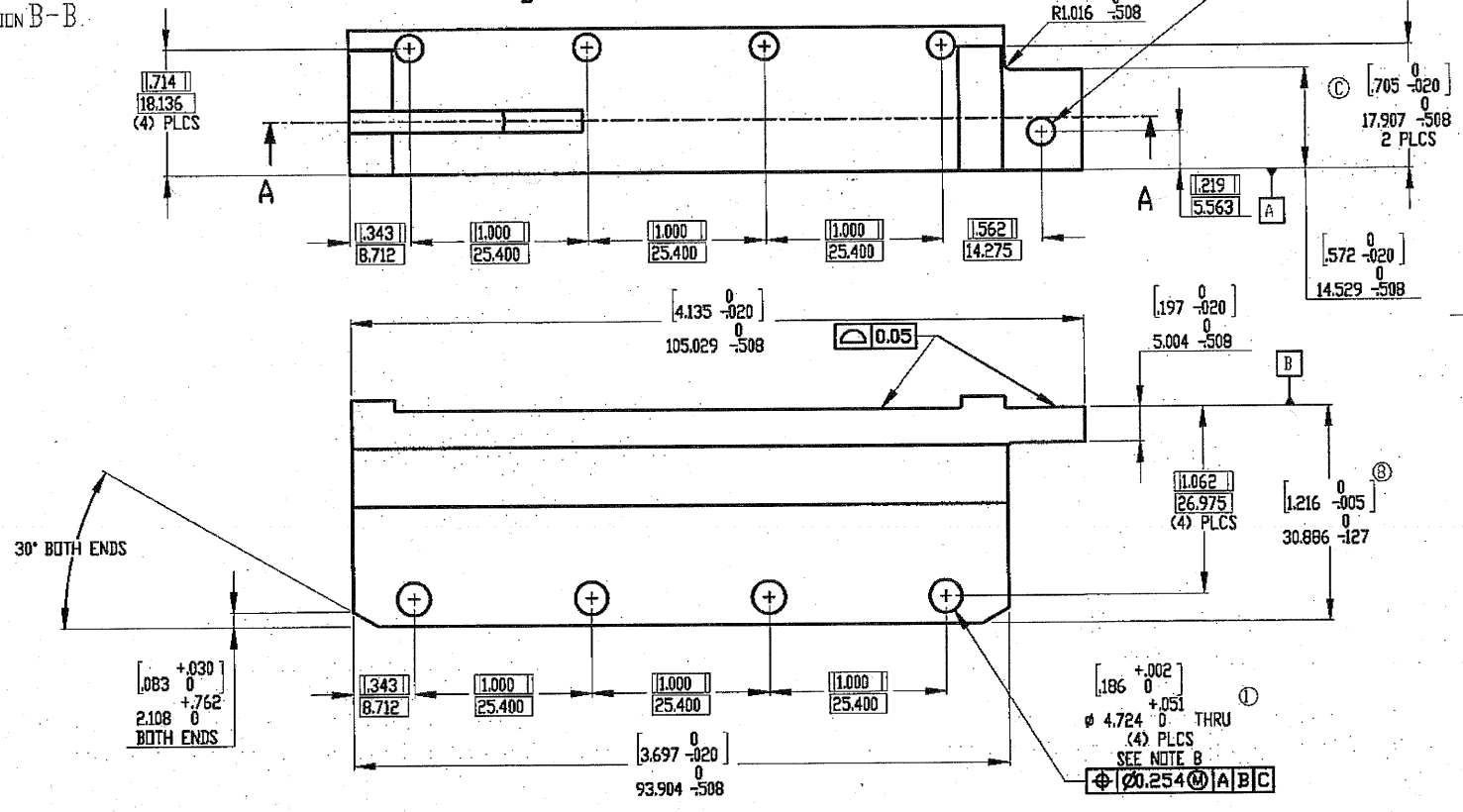
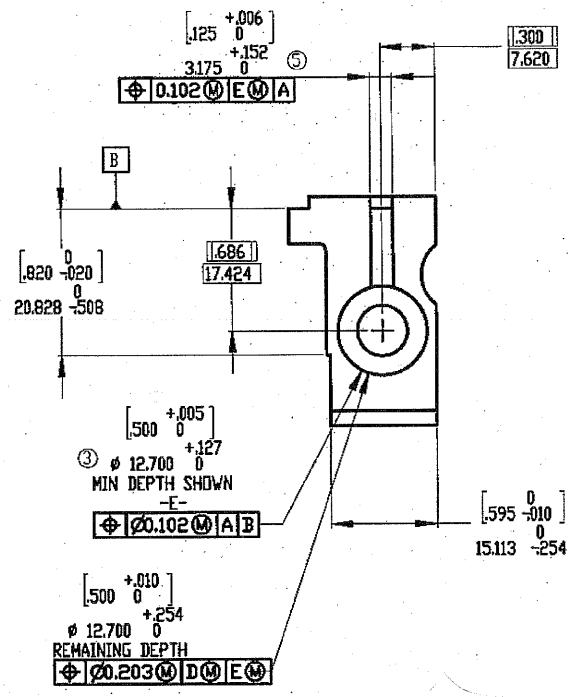


- NOTES:
1. APPLICABLE SPECS/STANDARDS:  
A. ASME Y14.5M-1994
  2. MATERIAL: STEEL, ASTM A322 DR A108, 4140.
  3. HEAT TREATMENT: AUSTENITIZE, QUENCH AND TEMPER IAW AMS 2759, TEMPER TO ROCKWELL HARDNESS C45-51.
  4. FINAL PROTECTIVE FINISH APPLIED AFTER ASSEMBLY.
  5. FINISH  $\sqrt{32}$  ALL OVER.
  6. BREAK EDGES 0.076 + 0.305 UNLESS OTHERWISE SPECIFIED.



| REVISIONS |      |  |           |                |
|-----------|------|--|-----------|----------------|
| ZONE      | REV. | DESCRIPTION  | DATE      | APPROVED       |
|           | D    | REMOVED HARDNESS REQUIREMENT AFTER ASSEMBLY NOTE 3, REMOVED NOTES 7 & 8 THEY DO NOT APPLY. | 3/28/2017 | G. HERSHBERGER |
| E3        | C    | CORRECTED CLERICAL ERROR, REMOVED DUPLICATE DIMENSION.                                     | 4/20/2017 | G. HERSHBERGER |
| F6, F7    | D    | CHANGED DEPTH OF CHAMFER, SEE DCR 803  | 7/26/2017 | G. HERSHBERGER |
|           | E    | CHANGED DEPTH OF CHAMFER TO ORIGINAL SPECIFICATIONS, SEE DCR 1123                          | 2/25/2019 | G. HERSHBERGER |



UN CONTROLLED COPY  
CERTIFIED CORRECT COPY OF APPROVED DRAWINGS AT THIS DATE 20-09-2021

DESIGN & DRAWING OFFICE,  
ORDNANCE FACTORY, TIRUCHIRAPPALI - 620 016.

APPROVED

4 AUG 2021

FORWARDED (AP)

| UNLESS OTHERWISE SPECIFIED |    | DATE | DATE | DATE |
|----------------------------|----|------|------|------|
| DESCRIPTION                | BY | DATE | DATE | DATE |
| DESIGNED                   |    |      |      |      |
| CHECKED                    |    |      |      |      |
| ENGINEER                   |    |      |      |      |
| DRW. APPR.                 |    |      |      |      |
| MANUFACTURING              |    |      |      |      |
| QA                         |    |      |      |      |
| CONTRACT                   |    |      |      |      |

OHIO ORDNANCE WORKS, INC.

BRACKET, BOLT LATCH, 00W50BMG

SIZE D 5504061 REV E

SCALE: 2x WEIGHT: SHEET 1 OF 1

D 5504061