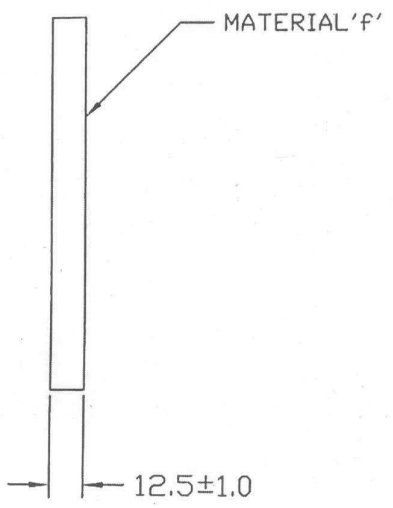
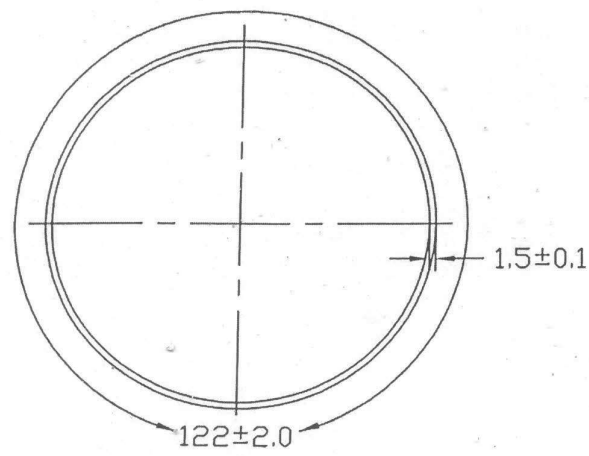


Shuboj  
 AT scan  
 file 15/5

SHEET 1 OF 1



6-0FF

ESSENTIAL PARTICULARS:-  
 BREAKING LOAD-35kgf min.  
 %ELONGATION-500min  
 MATERIAL-NATURAL/LATEX

CERTIFIED CORRECT  
*[Signature]*  
 For RD KCMA (Kanpur)

(a)	05.06.20	-----	ADRDE/QMS/PG/ABS/636	CHANGE SHEET NO. 76							
Rev No.	DATE	ZONE	AUTHORITY	BRIEF RECORD		<input type="checkbox"/> I/C HEAD CAD GROUP					
SCALE:- N.T.S			ADRDE AGRA	DRN.	SATTAR C.P.PAL	<i>[Signature]</i> PROJ.OFFR./GROUP OFFR.					
DIMENSIONS IN mm			GROUP :- ABS	CHD.	NIROTI LAL						
TOL:- ANSI/AIAA/S-017A-2000			RUBBER BAND PACK COVER BRAKE PARACHUTE FOR HAWK (AJT) A/C			APPROVED					
MATERIAL:- AS GIVEN						<i>[Signature]</i> PROJ.DIR./GROUP DIR.					
FINISH:- ----									DRG. No.		
HEAT TREATMENT:- _____									1.3.03-03-01(a)		