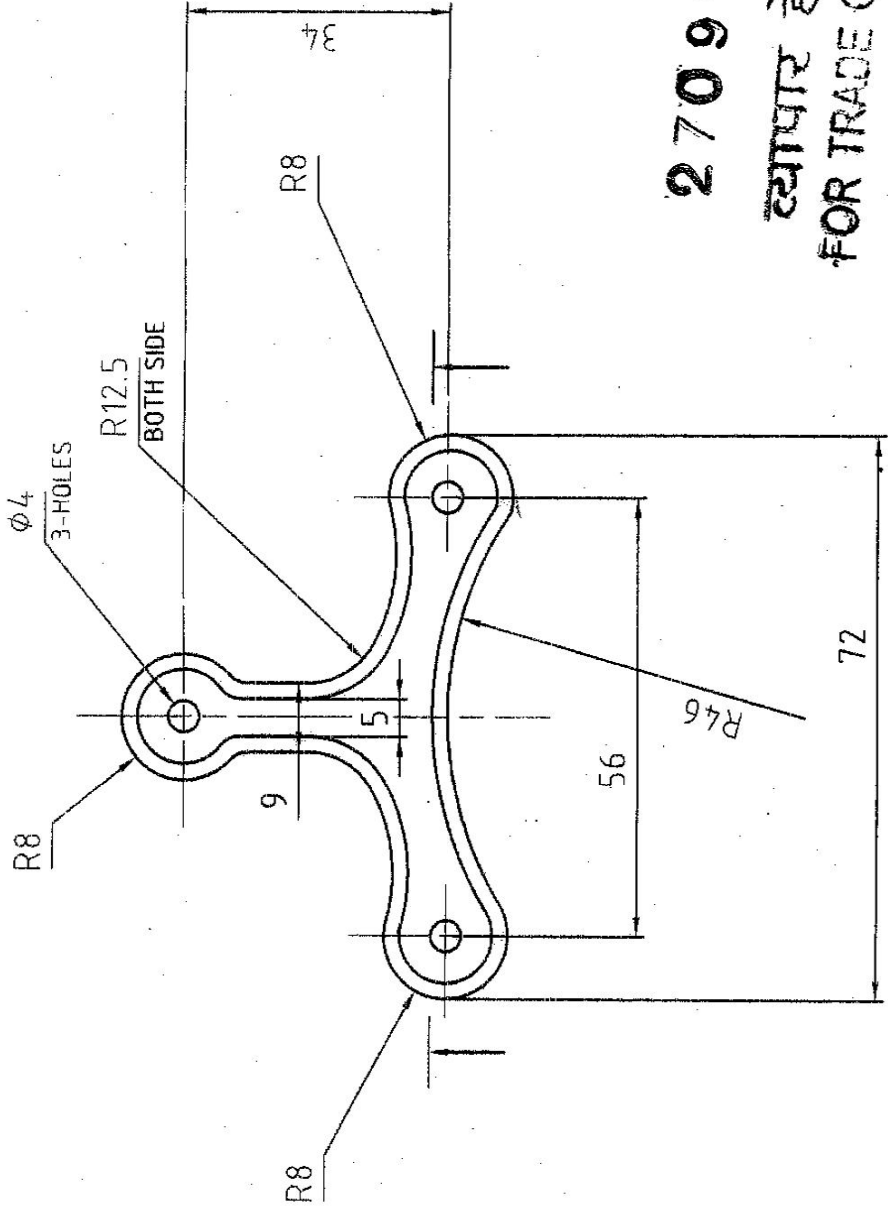


MATERIAL: SYNTHETIC RUBBER NITRILE BLACK
 BA-3 RHD 51-60 TO BS: 2751-56

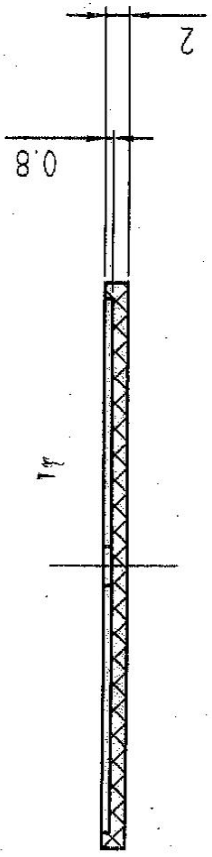
TREATMENT -

SURFACE FINISH: ▽▽

PROTECTIVE FINISH -



270918
 270918
 FOR TRADE ONLY



QTY-1

ITEM	DESCRIPTION	No. OFF	MATERIAL	REMARKS
LIST OF PARTS				
COMPT. No.	ASSY. DRG.	TITLE		
	RED DOT SIGHT	OPTO ELECTRONICS FACTORY DEHRADUN		
2007	GEN. TOL. IS 2102-m (PF.-1)	CONNECTOR		
DRAWN	AK	16/4	REF. M	
CHECKED	GD.SW	16.4.	DRG.No. OLF/R&D/RDS/001.04.04	
HDS	GD.SW	16.4.	SCALE: 1:1	
	NAME	DATE	SHTS: 08 SHT. NO. 03	
		M/Yr.	APPROVED	
AWM/R&D	AK	4/07	AMENDMENTS	
DT./SIGN	DESCRIPTION			

MATERIAL: TREATMENT: HARDNESS: PROTECTIVE FINISH:

SURFACE FINISH:

270.918
 बायुटार हेतु
 FOR TRADE ONLY

ITEM	DESCRIPTION	No. OFF	MATERIAL	REMARKS
10.	RIVET	02	ST. STEEL IS:6603	-
9.	PIN Ø5X50 (FOR HINGE)	02	ST. STEEL IS:6603	-
8.	PIN Ø3X25 (FOR LOCK)	02	ST. STEEL IS:6603	-
7.	GASKET Ø5X750 mm	01	SYNTHETIC RUBBER	-
6.	TOP FOAM	01	FOAM D=023kg/m3	STEEL GRAY COLOUR
5.	BOTTOM FOAM	01	FOAM D=023kg/m3	STEEL GRAY COLOUR
4.	PLASTIC LOCK	02	POLY PROPYLENE OILIVE	GREEN COLOUR
3.	NYLON STRAP (HANDLE)	01	NYLON STRAP	BLACK COLOUR
2.	PLASTIC BASE	01	POLY PROPYLENE OILIVE	GREEN COLOUR
1.	PLASTIC COVER	01	POLY PROPYLENE OILIVE	GREEN COLOUR

LIST OF PARTS

COMPT. No.	ASSY. DRG.	<p style="text-align: center;">OPTO ELECTRONICS FACTORY DEHRADUN</p>	
2012	R.D.S	TITLE	CASE CARRYING FOR RED DOT SIGHT (Z7 /OLF/R&D/RDS/001.07)
DRAWN JWM	GEN. TOL IS 2102 (PT-1) 1993-m	REF. LETTER NO.	178298/40MM MG/LM 1
CHECKED JWM	20.11.12	REF. OFF/INF	CH. 3 Oct. 2012
JWM/HOS	NAME	DATE	DRG.No. OLF/R&D/RDS/001.07

D.A.No.	DATE/SIGN	DESCRIPTION	SCALE: 1:1
		AMENDMENTS	SHTS.02
			SHT.No.01

MATERIAL: TREATMENT: HARDNESS: PROTECTIVE FINISH:

SURFACE FINISH:

270.918
 बायुटार हेतु
 FOR TRADE ONLY

ITEM	DESCRIPTION	No. OFF	MATERIAL	REMARKS
10.	RIVET	02	ST. STEEL IS:6603	-
9.	PIN Ø5X50 (FOR HINGE)	02	ST. STEEL IS:6603	-
8.	PIN Ø3X25 (FOR LOCK)	02	ST. STEEL IS:6603	-
7.	GASKET Ø5X750 mm	01	SYNTHETIC RUBBER	-
6.	TOP FOAM	01	FOAM D=023kg/m ³	STEEL GRAY COLOUR
5.	BOTTOM FOAM	01	FOAM D=023kg/m ³	STEEL GRAY COLOUR
4.	PLASTIC LOCK	02	POLY PROPYLENE OLIVE	GREEN COLOUR
3.	NYLON STRAP (HANDLE)	01	NYLON STRAP	BLACK COLOUR
2.	PLASTIC BASE	01	POLY PROPYLENE OLIVE	GREEN COLOUR
1.	PLASTIC COVER	01	POLY PROPYLENE OLIVE	GREEN COLOUR

LIST OF PARTS

COMPT. No.	ASSY. DRG.	OPTO ELECTRONICS FACTORY DEHRADUN	
2012	R.D.S	TITLE	CASE CARRYING
DRAWN JWM	GEN. TOL IS 2102 (PT-1) 1993-m		FOR RED DOT SIGHT
CHECKED JWM	20.11.12		(Z7 /OLF/R&D/RDS/001.07)
JWM/HOS	NAME		REF. COAJ LETTER NO. 178298/40MM MGL/M 1
	DATE		REF. OPT/INF CH. 3 Oct. 2012
DGM/TS	M/YR.	DRG.No.	OLF/R&D/RDS/001.07

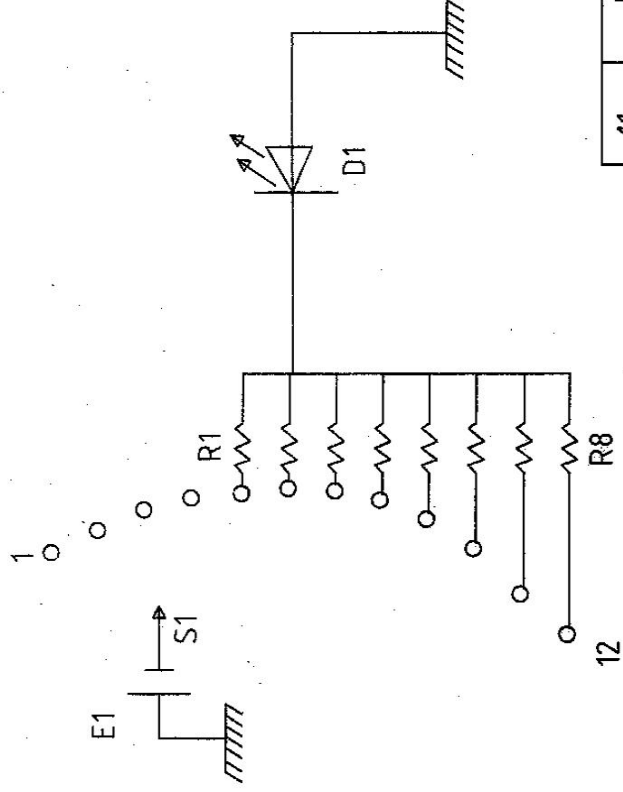
D.A.No.	DATE/SIGN	DESCRIPTION	SCALE: 1:1	SHTS.02	SHT.No.01
		AMENDMENTS			

TREATMENT
HARDNESS:

PROTECTIVE FINISH:

MATERIAL:

SURFACE FINISH:



270918
ऑप्टिक हेतु
FOR TRADE ONLY

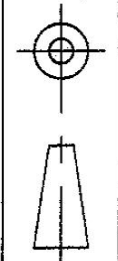
CIRCUIT DIAGRAM

Sl.No.	CODE No.	ITEMS	QTY.
11	D1	LED	01
10	E1	3V BATTERY CR1/3N	01
9	S1	ROTARY SWITCH	01
8	R8	SMD RESISTANCE 470E	01
7	R7	SMD RESISTANCE 1K	01
6	R6	SMD RESISTANCE 1K8	01
5	R5	SMD RESISTANCE 3K9	01
4	R4	SMD RESISTANCE 8K2	01
3	R3	SMD RESISTANCE 15K	01
2	R2	SMD RESISTANCE 33K	01
1	R1	SMD RESISTANCE 68K	01

ITEM	DESCRIPTION	No. OFF	MATERIAL	REMARKS
LIST OF PARTS				
COMPT. No.		ASSY. DRG.		
2013		RDS		
DRAWN		GEN. TOL IS 2102-m (PART 1) : 1993		
CHECKED		<i>[Signature]</i>		
HOS/DO		<i>[Signature]</i>		
NAME		DATE		
A.M.M./Q.C.		M/YC.		
APPROVED		REF. M		
D.A.No.		DRG.No. OLF/R&D/RDS/001.05-S		
DT./SIGN		SCALE: 1:1		
DESCRIPTION		SHTS. 12		
AMENDMENTS		SHT. No. 02		

OPTO ELECTRONICS FACTORY
DEHRADUN

TITLE
CIRCUIT DIAGRAM OF RDS



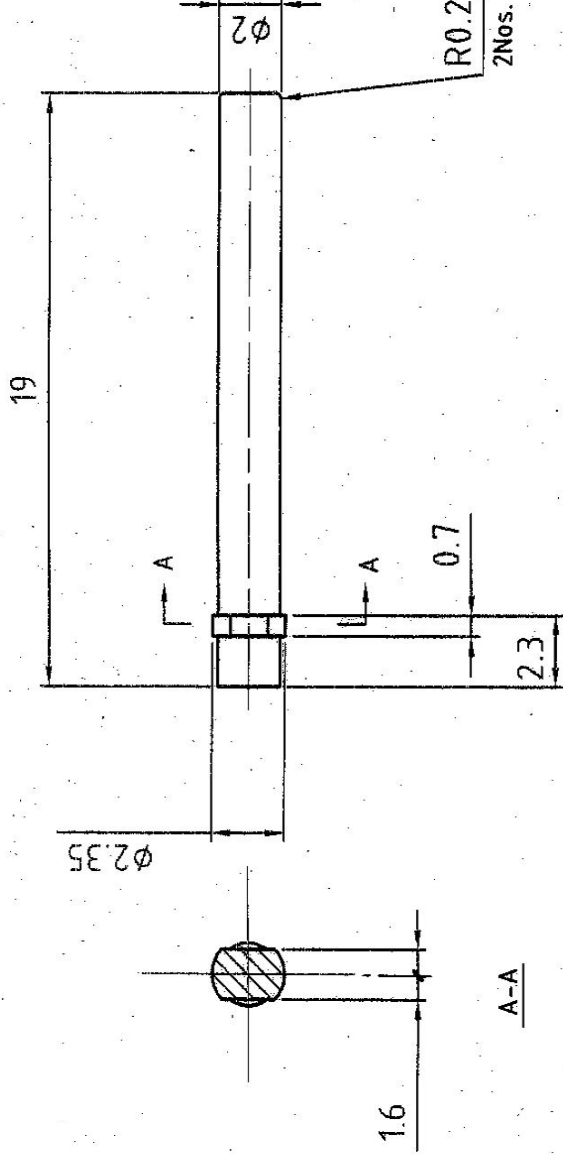
MATERIAL: ST. STEEL IS 6603 : 2001

Gr X 20 Ct 13

TREATMENT -

SURFACE FINISH: ▽

PROTECTIVE FINISH -



270918

ऑप्टिकल हेतु
FOR TRADE ONLY

QTY-2

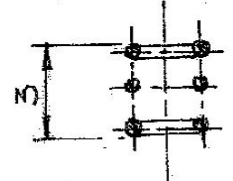
OLD NO.033003

ITEM	DESCRIPTION	No. OFF	MATERIAL	REMARKS
LIST OF PARTS				
COMPT. No.	ASSY. DRG.	TITLE		
2007	RED DOT SIGHT	OPTO ELECTRONICS FACTORY DEHRADUN		
DRAWN	GEN. TOL. IS 2102-m (Pt.-1)	REF.		
CHECKED	16-4	M		
HDS	16.4.	DRG.No. OLF/R&D/RDS/001.02.03		
AWM/R&D	16.4.	SCALE: 4:1		
	DATE	SHTS. 06		
	M/Yr.	SHT. No. 05		
	4/07			
APPROVED				
AMENDMENTS				
D.A.No.	DT./SIGN	DESCRIPTION		

MATERIAL: X07 CP 18 Ni9
S: 4454 (Pt-I) : 2001

TREATMENT: _____

SURFACE FINISH: PROTECTIVE FINISH: _____



SPRING DATA

WIRE DIA - 0.3
 MEAN DIA - 1.5
 No. OF COILS (ACTIVE) - 3
 FREE LENGTH - 3

270918

ENDS SHOULD BE GROUND & SQUARED
 HARD & TEMPERED

ऑप्टिक इलेक्ट्रॉनिक्स
FOR TRADE ONLY

(U) ALTT. MATERIAL :- STEEL SPRING WIRE $\phi 0.3$ mm. IS: 4454 (Pt-I)
 (U) COATING :- CHEMICAL OXIDATION BLACK

No. OFF - 02

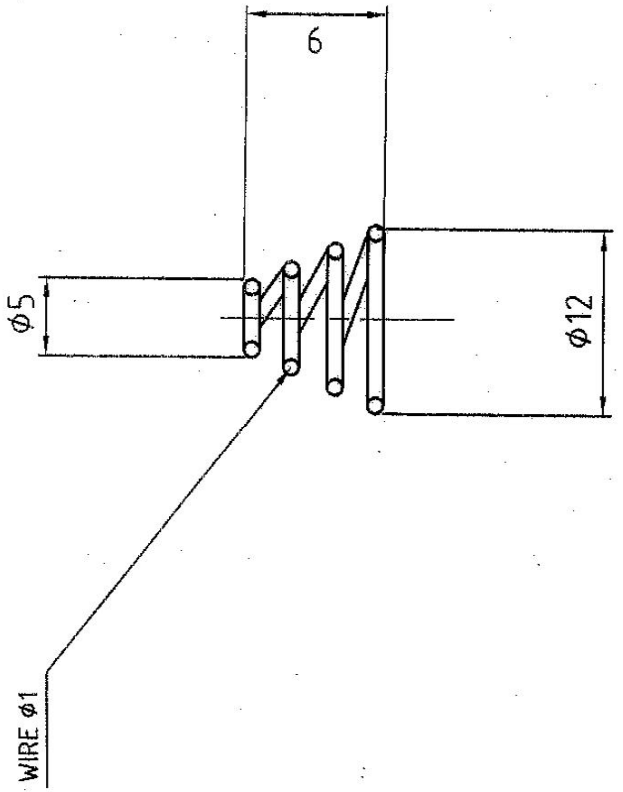
OLD NO. 036006

ITEM	DESCRIPTION	No. OFF	MATERIAL	REMARKS
LIST OF PARTS				
COMPT. No.	ASSY. DRG.	OPTO ELECTRONICS FACTORY		
	RED DOT SIGHT	DEHRADUN		
2007	GEN. TOL. IS 2102-m (Pt.-1)	TITLE		
DRAWN	Rg- 16/4	COMP. SPRING		
CHECKED	Q/dl vvv 16.4.	REF. M+2		
HDS	Q/dl vvv	DRG. No. OLF/R&D/RDS/001.04.02.04		
	NAME	DATE		
AWM/R&D	M-2	M/YC. 4/07		
APPROVED		SCALE: -		
AMENDMENTS		SHTS. 07 SHT. No. 06		

D.O/B.A/94/15
 J.K.G.M/OC
 24/7/2015
 ALTT. MATERIAL & COATING ADDED

(U)2

MATERIAL: X-07 Cr 18 Ni 9 (G.V.M.) -- IS 4454 (Pt-4) :2001	TREATMENT: --
SURFACE FINISH:	PROTECTIVE FINISH: --



270918
 270918
 FOR TRADE ONLY

NO. OF COIL : 4
 SPRING'S END : SQUARED

- (i) ALTERNATE MATERIAL: SPRING STEEL WIRE Gx.S.M.T.S:4454 (Pt-I) 2001.
- (ii) COATING :- ZINC PLATING.

QTY-1

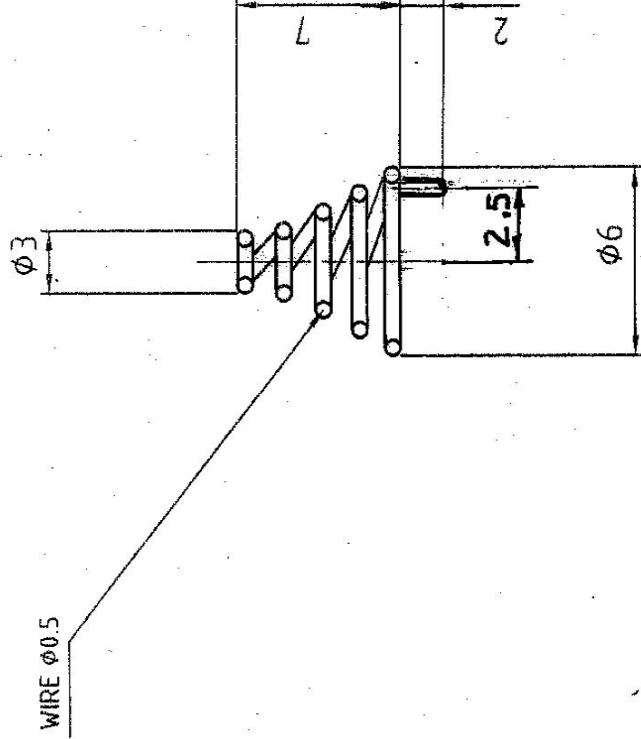
ITEM	DESCRIPTION	No. OFF	MATERIAL	REMARKS
LIST OF PARTS				
COMPT. No.	ASSY. DRG.	OPTO ELECTRONICS FACTORY		
	RED DOT SIGHT	DEHRADUN		
2007	GEN. TOL. IS 2102-r (Pt.-1)	TITLE		
DRAWN	A.S.	COMPRESSION		
CHECKED	G.P.S. G.M.	SPRING (CONED END)		
HOS	G.P.S. G.M.	REF. M 1		
	NAME	DRG.No. OLF/R&D/RDS/001.01.04		
AWM/ R&D	M/Yr.	SCALE: 5:1		
	4/07	SHTS. 16 SHT. No. 06		
APPROVED				
AMENDMENTS				
D.A.No.	DT./SIGN	DESCRIPTION		
200/DA/94/15	21/7/2015	JE G.M./DC ALTT. MATERIAL & COATING ADDED		

MATERIAL: X 07 Cr 18 Ni 9 (9%1)
 IS 4454 (PT-4) :2001

TREATMENT: —

SURFACE FINISH: —

PROTECTIVE FINISH: —



270918

ऑप्टि इलेक्ट्रॉनिक्स
 FOR TRADE ONLY

NO.OF COIL : 4

SPRING END : SQUARED

(i) ALTERNATE MATERIAL:- SPRING STEEL WIRE Gx.S.M, IS:4454(PT) 2001

(ii) COATING:- TIN BISMUTH COATING

QTY-1

OLD NO.037005

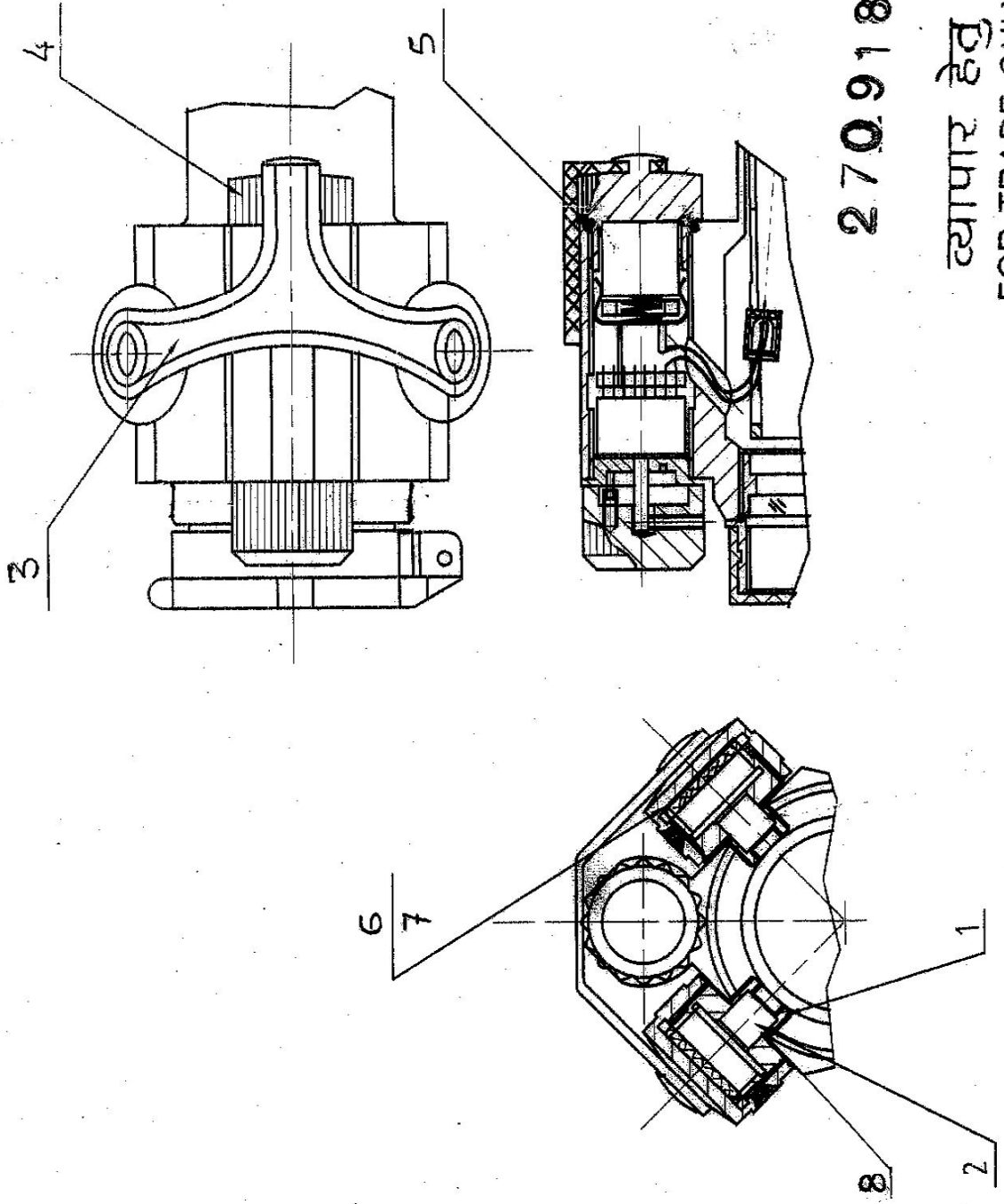
ITEM	DESCRIPTION	No. OFF	MATERIAL	REMARKS
LIST OF PARTS				
COMPT. No.	ASSY. DRG.	OPTO ELECTRONICS FACTORY		
2007	RED DOT SIGHT	DEHRADUN		
DRAWN	GEN. TOL. IS 2102-m (PT-1)	TITLE		
CHECKED	16.4	COMPRESSION SPRING		
HOS	16.4	(CONED END)		
AWM/R&D	16.4	REF.		
APPROVED		M 1 2		
AMENDMENTS		SCALE: 5:1		
D.O/D.A. 19/1/15 21.7.2015		DRG.No. OLF/R&D/RDS/001.05.08		
DT./SIGN		SHTS. 18 SHT. No. 11		
DESCRIPTION		SHTS. 5:1		
ALTR. MATERIAL & COATING ADDED		SHTS. 18 SHT. No. 11		

ITEM NO.	NOMENCLATURE	DRG.NO.	QTY.	MATERIAL	SHEET SIZE
	CONNECTOR ASSY	OLF/R&D/RDS/001-04			A4
	SUB ASSEMBLY				
1	ADAPTOR ASSY	OLF/R&D/RDS/001.04.01	02		A4
2	SCREW ASSY	OLF/R&D/RDS/001.04.02	02		A4
	COMPONENTS				
3	CONNECTOR (RUBBER)	OLF/R&D/RDS/001.04.04	1	SYNTHETIC RUBBER NITRILE BLACK BA-3 RHD 51-60 TO BS: 2751-56	A4
4	CAP	OLF/R&D/RDS/001.04.05	1	AL ALLOY IS 733-83, GR.24345 (WP)	A4
5	'O' RING (RUBBER)	OLF/R&D/RDS/001.04.06	1	SYNTHETIC RUBBER NITRILE BLACK BA-3 RHD 51-60 TO BS: 2751-56	A4
6	CAP	OLF/R&D/RDS/001.04.07	02	AL ALLOY IS 733-83, GR.24345 (WP)	A4
7	DISC (RUBBER)	OLF/R&D/RDS/001.04.08	02	RUBBER COMPOUND VUL CANIZED 1 BUTADIENE GR 30R2 IS 2751-82	A4
8	RING	OLF/R&D/RDS/001.04.09	02	N. RUBBER COMPOUND IS: S192 Pt I 1994Gr-2-50	A4

270918
सुप्रसन्न हेतु
FOR TRADE ONLY

COMPT. No.		ASSY. DRG.		OPTO ELECTRONICS FACTORY DEHRADUN	
2007		RED DOT SIGHT		TITLE	
DRAWN		GEN. TOL. IS 2102-m (Pt.-1)		CONNECTOR ASSY.	
CHECKED		16-4		REF.	
HOS		16-4		M1	
AWM/ R&D		DATE		DRG.No.OLF/R&D/RDS/001.04	
NAME		M/Yr.		SCALE: —	
APPROVED		4/10		SHTS. 08 SHT. No. 01	
AMENDMENTS					

MATERIAL: _____ TREATMENT: _____
 SURFACE FINISH: _____ PROTECTIVE FINISH: _____



270918

ऑप्टिक हेतु
 FOR TRADE ONLY

ITEM	DESCRIPTION	No. OFF	MATERIAL	REMARKS
LIST OF PARTS				
COMPT. No.	ASSY. DRG.	OPTO ELECTRONICS FACTORY DEHRADUN		
2007	RED DOT SIGHT	TITLE		
DRAWN	GEN. TOL. IS 2102-m (Pt.-1)	CONNECTOR ASSY.		
CHECKED	16/4	REF. M		
HOS	16.4.	DRG.No. OLF/R&D/RDS/001.04		
AWM/R&D	NAME	DATE		
	APPROVED	M/Y.		
		4/07		
D.A.No.		DT./SIGN		DESCRIPTION
AMENDMENTS				
		SCALE: 1:1		SHT. No. 02
		SHTS. 08		