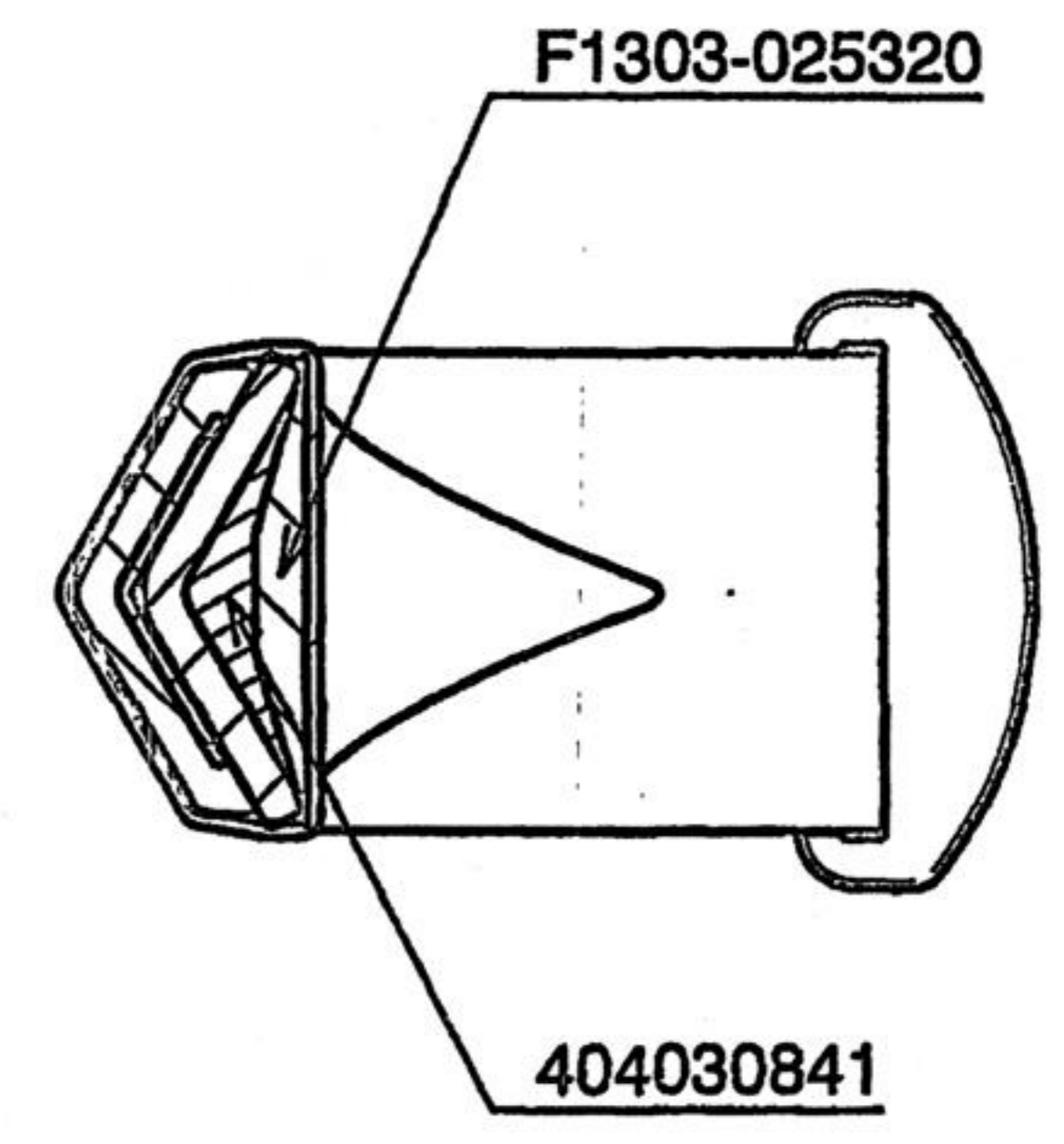
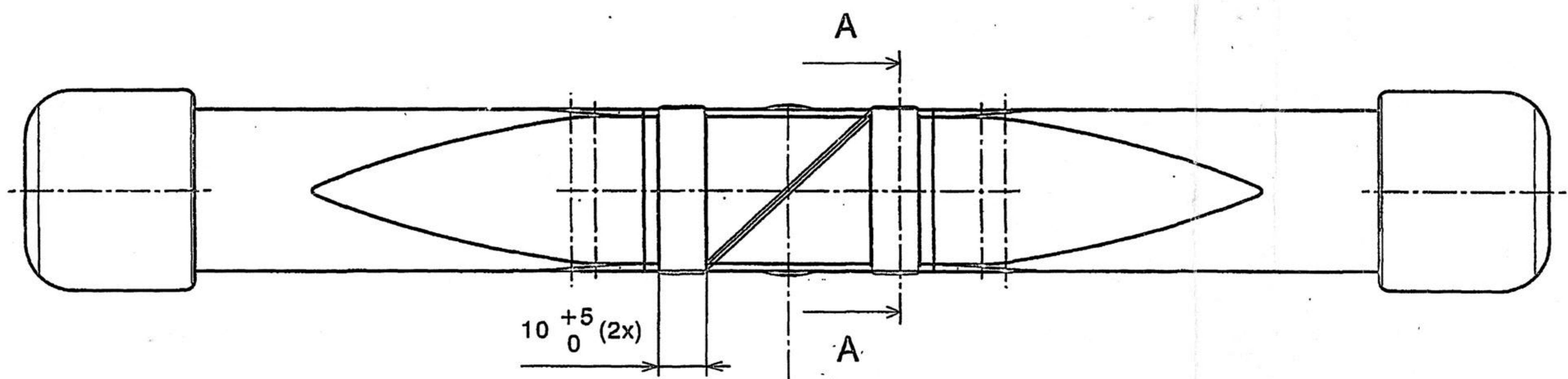


Property of FFV Ordnance AB and must not be used, disclosed or altered without FFV Ordnance AB prior written consent.
2005 FFV Ordnance AB

ORIGINAL SIZE A2

This document and the information contained herein is the property of FFV Ordnance AB and must not be used, disclosed or altered without FFV Ordnance AB prior written consent.
2005 FFV Ordnance AB



F1303-028720 limmad till F1303-028710 med 404030841
F1303-028720 glued to F1303-028710 with 404030841

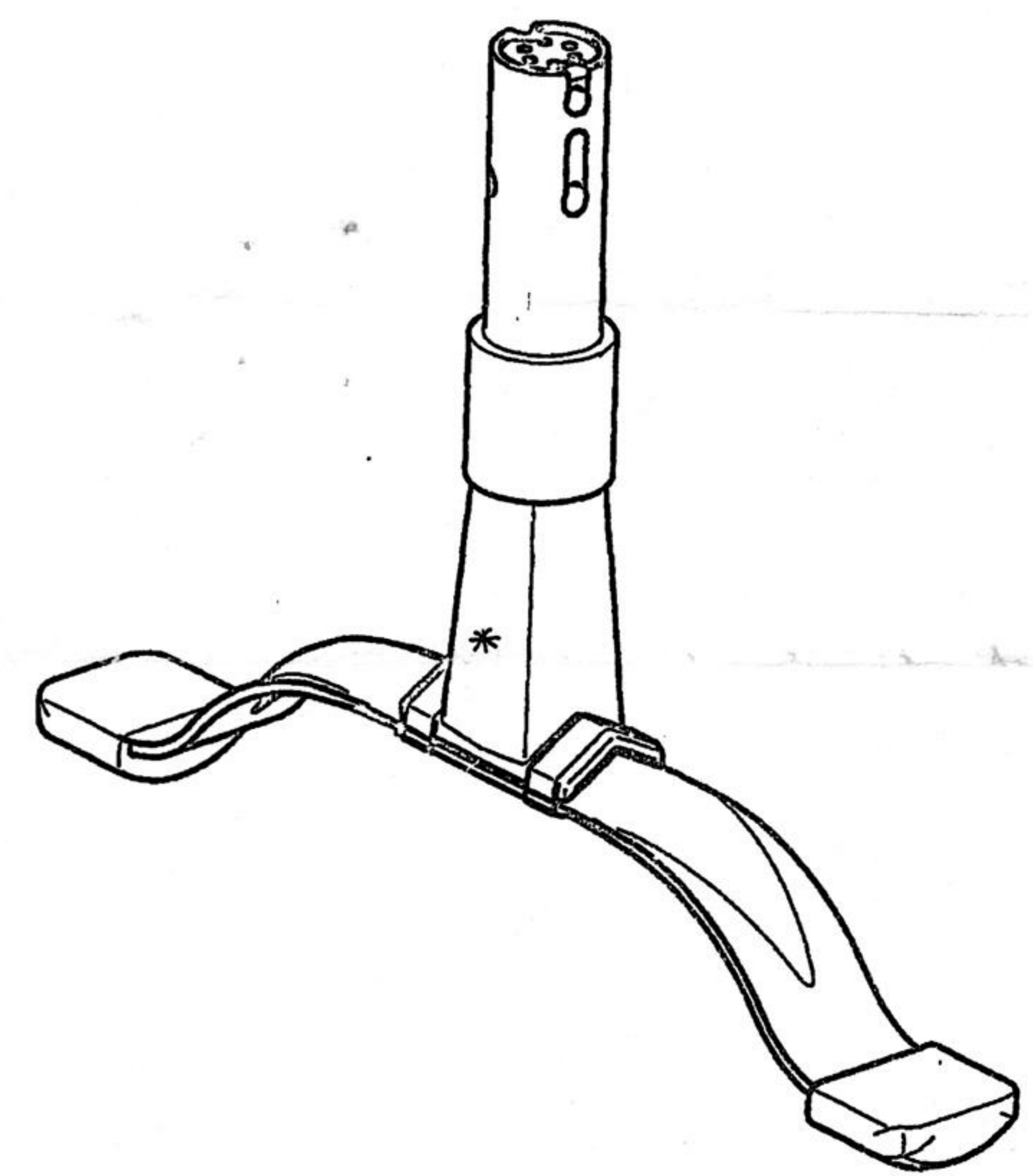
Hylsans hål fri från lim
No adhesive permissible in sleeve holes

Grundmålad med 0224973-001 och MGF1542
Täckmålad med 6121091-009 och MGF1542
Painted (Primer) with 0224973-001 and MGF1542
Painted (Top Coat) with 6121091-009 and MGF1542

----- Maskerad vid lackering
Masked when lacquering

F1303-028710 limmad till F1303-024430 med 404030841
F1303-028710 glued to F1303-024430 with 404030841

Lindad (efter limning 404030841) med kevlar 49 typ 968 (eller likvärdig) och 450001071
Wound (after glueing 404030841) with kevlar 49 type 968 (or equal) and 450001071



Isometric view
Scale: 1:2

NOTE: - MARKING TO BE STAMPED 3mm TO 5mm LETTER SIZE
* MANUFACTURE INITIAL
LOT No.
YEAR OF MANUFACTURE

28-04-15	19401-W	DRG SEALED		
02-03-15		SCANNED & PRINTED WITHOUT CHANGE		
DATE	AUTHORITY	AMENDMENTS	SIG AHSP	SIG DO
PREV DC :-				
DRG SEALED :- 19401-W DT 28-4-15		SCANNED :- mk	CHECKED :- GSN	
C Q A (W), JABALPUR				

F1303-024470 glued to
F1303-024430 with 404030841

30-01-17 19568-W CD/B & E/7-9/04 MARK* & NOTE ADDED

Material		Artikelnr Part number	
Ytbehandling Surface treated		F1303-028700	
Generell ytförhållande General surface roughness	Skala Scale	---	
Skarpa kanter brutna Sharp edges broken	1:1		
Form- och lägefel ori Form & pos tol acc to	Höjd Felot	Generell tolerans General tolerance	Generell radie General radius
Uttärad av Issued by	Datum Date yyyy-mm-dd	Dokumentstatus Document status	Laddningsordernummer Charge order number
Anita Möllberg	2011-04-21	AUTHORIZED	601006014
Godkänd av Approved by	Datum Date yyyy-mm-dd	Informationsklass Classification	
Anders Nyman	2011-11-04	COMPANY RESTRICTED	
Dokumenttitel Document title		Dokumentnummer Document number	
Gun Mount		304059968	
FFV Ordnance AB		Utgåva Issue	4:Sidor Sheet
		1	1/1