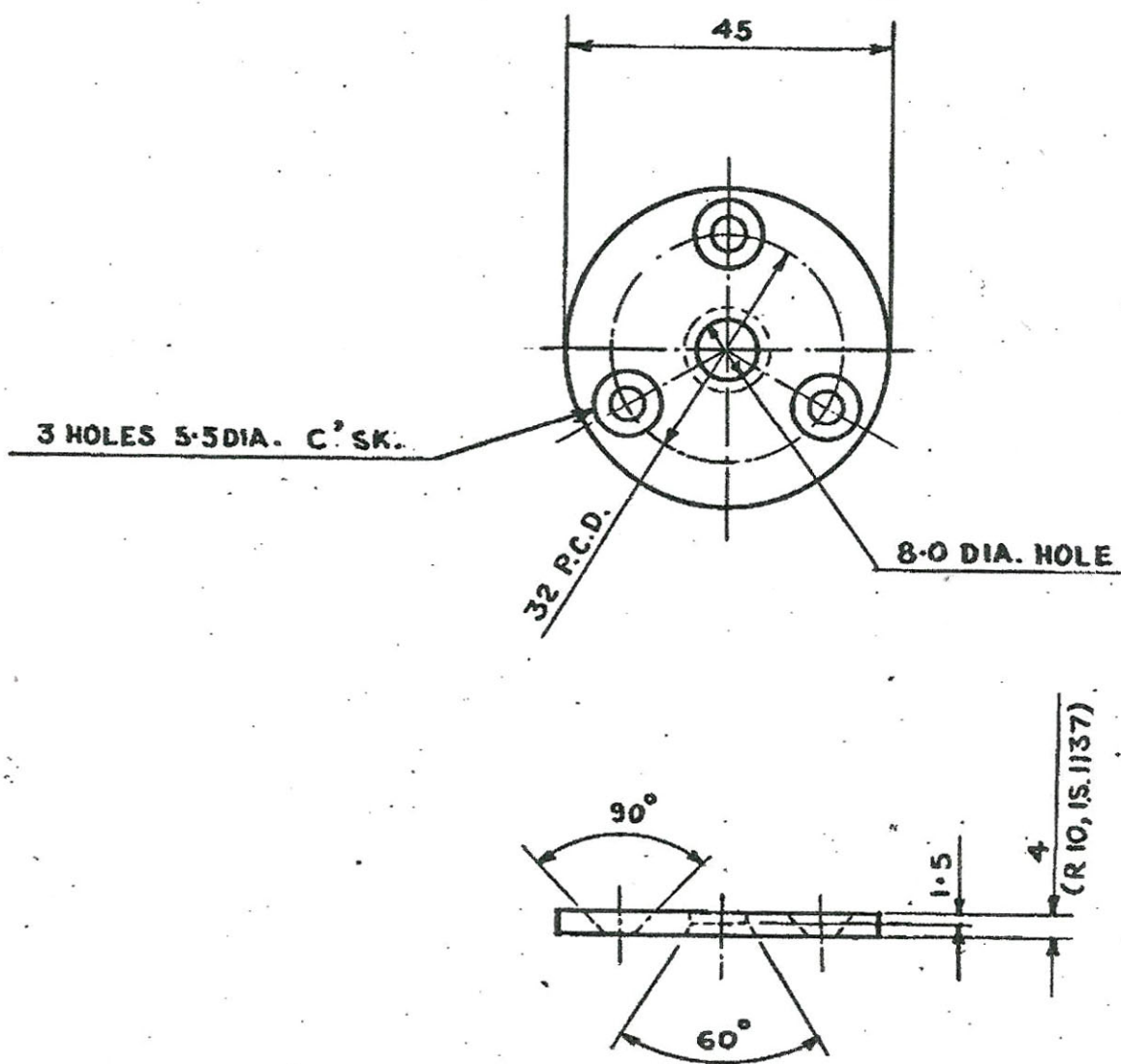


PART No.

FOR EXPLANATION OF DIMENSIONING ETC., SEE ARDE NOTE SHEET No 1
THIRD ANGLE PROJECTION. DIMENSIONS ARE IN MILLIMETRES.



CERTIFIED COPY OF THE
STORE DRG/GAUGE DRG/Sch/
SPECN/NOTE SHT.
DATE: 21/2/08 ^{SH} for CD

31.8.78	15733-SA	D. S. CAT. NO. ADDED	
203.68	9890-SA	DRG. SEALED	
5-2-65		TRACED WITHOUT CHANGE	
DATE	AUTHORITY	ZONE	NATURE
AMENDMENTS.			
SEALED :-			
MATERIAL - STEEL BS. 1449/En. 2			
PROTECTIVE FINISH :-			
ESTIMATED WEIGHT :-			
SCALE - 1:1			
PLATE			

ASSY. DRG. 1005-006477 SHT. 1.			
INSP. INSTRS.			
DRAWN	CHECKED	TRACED	TRN. CRD.
P. R. N.	C. PHILIPS.	S. M. B.	<i>MM</i>
CHIEF D'N		GROUP OFFICER	
<i>(Signature)</i>		Sd/- B. C. CHAKRAVARTY	
APPROVED.			
DATE - 31.12.64.			
ARDE 1155 (5 SHEETS)			
DETAIL No. 3		SHT. 2	
D. S. CAT. NO.			
1005-006477			
5 SHTS.		SHT. 2	
A. R. D. E. KIRKEE.			