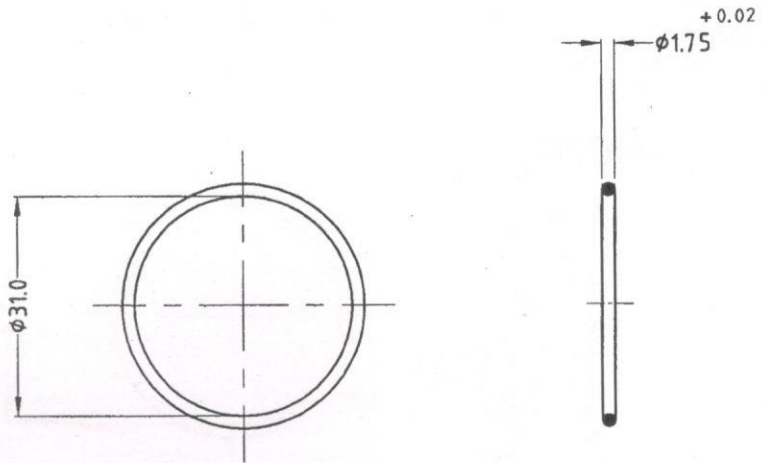


P. N. V. MONOCULAR

'O' RING, ADAPTOR-1

(1) FOR EXPLANATION OF DIMENSIONS ETC., SEE CQA(I) GUIDE NO.- 001-2016
 (3) THIRD ANGLE PROJECTION

(2) ALL DIMENSIONS ARE IN MILIMETERS.



ORDNANCE FACTORY, DEHRADUN.

MATERIAL :- NBR, BS 2751-2001, GRADE- BA50

FOR TRADE USE
 Date of Issue: 08/08/18

		DT. 22-08-18	SCALE:- 1/1
	DR.- P.C.SINGH	MATL.	FINISH
	TR.-	AS ABOVE	AS ABOVE
	CH.	SHEETS-1	SHTS.-1
	APPROVED.	DRAWING NO- CWC-252/18	
AMENDMENTS.			
OFD/DO/002	(Kuldeep Saini) JWM/D.O.		
			(S.Bhaskar) AWM/EO