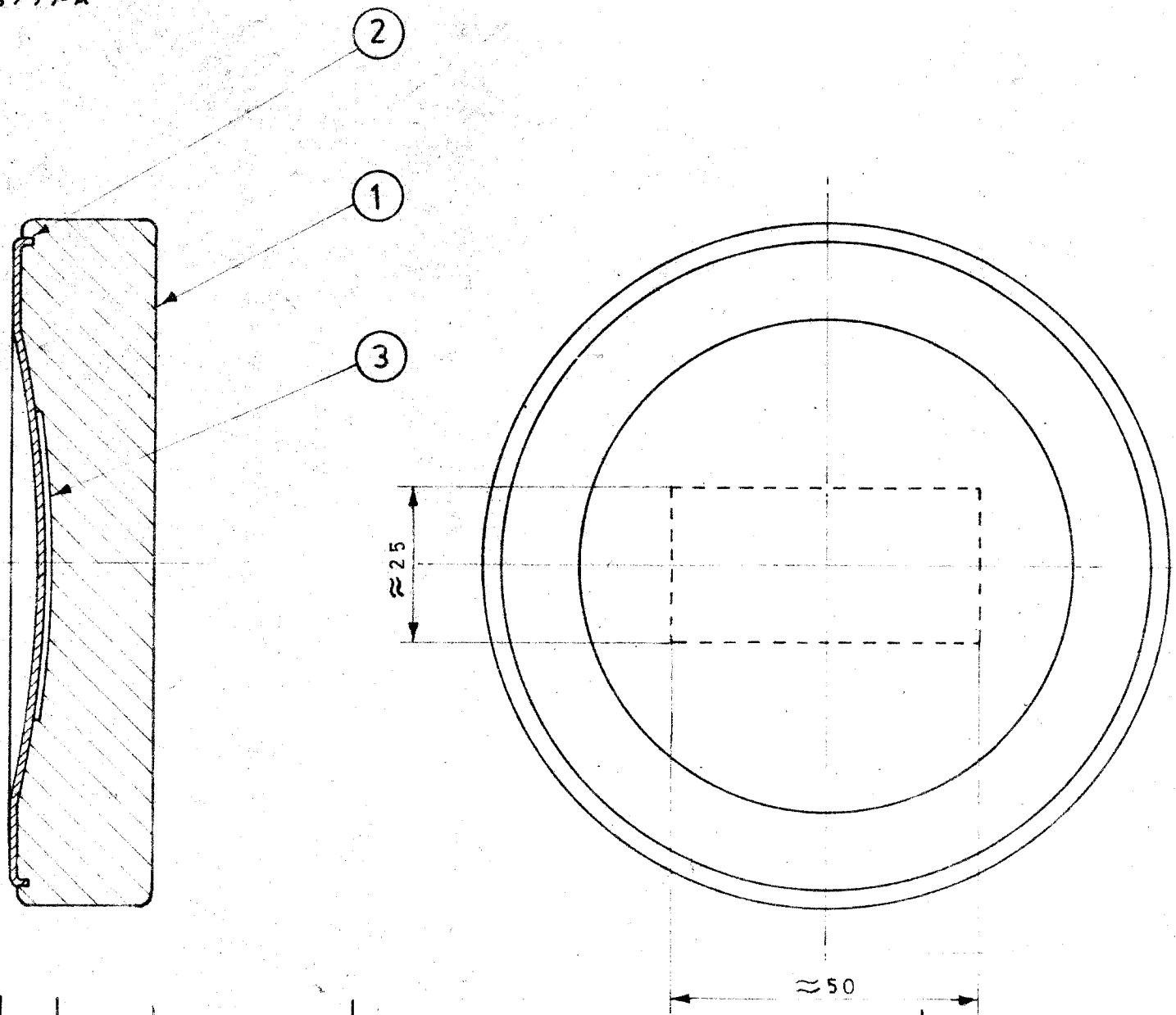


ISV 146 SA
PART No.

DRG. CONVENTIONS CONFORM TO IS SPECS.
DIMS. ARE IN mm

UNLESS OTHERWISE STATED:- TOLERANCE AS PER
RADIUS
CHAMFER

D.C.I. 32718-A
D.C.I. 33777-A



LIST OF COMPONENTS				
ITEM No	DESCRIPTION	PART No	DESIGNER'S REF	No PER SET
1	SHOCK ABSORBER BODY 'C'	ISV 1578	CIA/AMN/2010 DET 4/1	1
2	DISC	ISV 1579	CIA/AMN/2010 DET 4/2	1
3	ADHESIVE TAPE TWO SIDE COMMERCIAL QUALITY	NOT APPLICABLE	NOT APPLICABLE	1

TECHNICAL REQUIREMENT -
AS PER SPEC. CQA(A) 2804 (K)

23-11-94	DC.35855-A	SPEC. UP-DATED			
22-1-94	DC.35657-A	DRG. FORMAT BOX ENTRIES ADDED. IS SPECS. WASTS: 696 TECHNICAL REQUIREMENT NOTE ADD'D. UNDER LIST OF COMPONENTS AGAINST ITEM N°3 NOT APPLICABLE ADDED IN PART N° AND DESIGNER'S REF. COLUMN.			
9-7-85	D.C.I.33777-A	DRG. SEALED.			
		TRACE & WITHOUT			
		PREVIOUS No 32718-A			
		33036-A 33777-A & 33778-A			
DATE	AUTHORITY	REVISION	ZONE	AHSP	DO.
DRG. SEALED	9-7-85 (PROV)	9-7-85			

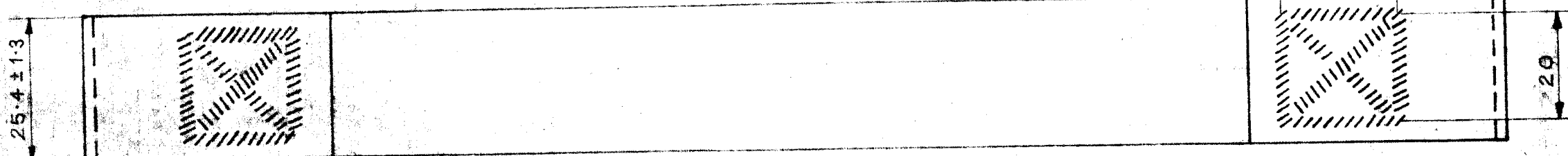
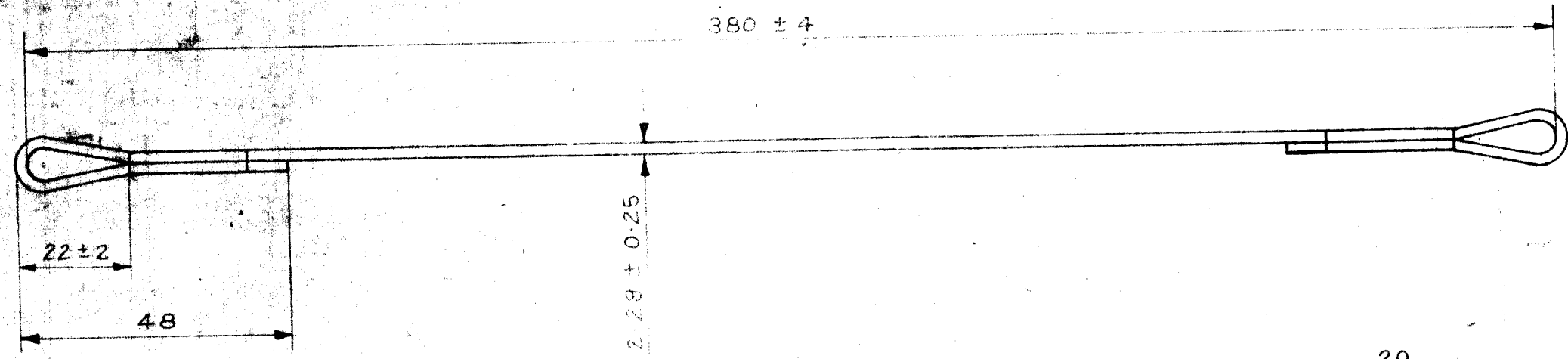
DRN: BBJ	VRS	ATT	ASSY: ISV 470 A
SD/	75.5g		
APPD.	FOR CQA(A)	5-78	
MATL: NOT APPLICABLE			
PROTECTIVE FINISH: NOT APPLICABLE			
			CIA/AMN/2010 DET. 4
			PART No. ISV 146 SA
			NOT APPLICABLE
			AHSP: CQA(A) KIRKEE

SHOCK ABSORBER ASSEMBLY 'A'

ISV 176 SA
PART NO

DRG CONVENTIONS CONFORM TO IS SPECIFICATIONS
DIMENSIONS ARE IN mm

D.C. 33298-A
D.C. 33777-A



NOTES :-

1. STITCHING LINE SHOWING THIS
2. ALL SEWING TO BE WITH THREE COTTON SEWING 16 TEX #600 DYE O.G AND PROOFED TO SPEC JSS 8310-02-1374 (DISCONTINUED) OR SEWING COTTON 16 TEX #600 GREEN PROOFED TO SPEC IS 0200 (REAFFIRMED IN 1991) VARIETY

MATERIAL :-

WEBBING COTTON PROOFED O.G TO SPEC JSS 1-68-07(A)

TECHNICAL REQUIREMENT

AS PER SPEC

R.No	DATE	AUTHORITY	REVISION	ZONE	AHSP	D.O.
	23-11-94	DC.35855-A	SPEC. UP-DATED			Julia
	15/11/94	DC.35848-A	RETRACED WITHOUT CHANGE & NEW COPY REPLACED IN SUPERSESSION OF EXISTING DILAPIDATED COPY.			Julia
PREV D.C Nos :- 33298-A, 33777-A, 35439-A & 35657-A.						
DRG SEALED :- 9-7-85						

DRN :- R.M.S.	CHD :- V.R.S.	TRD :- R.G.K.	COMP :-
SDI- C.D MAN	SDI- O I/C D.O.	SCALE :- 1:1	EST. MASS :- 27.5 g
APPD.	SDI- FOR C.Q.A (A)	GAUGE SCHD :- NOT APPLICABLE	DATE :- 22-8-80
MATL :- AS ABOVE			
PROTECTIVE FINISH :- NOT APPLICABLE			

ASSY DRG	ISV 470
	ISV 458
DESIGNER'S SIGNATURE	CIA/...
PART NO	ISV 176 SA
D.C.	
AHSP	

HANDLE CARRYING

AS 147 SA
ON 1474
PART NO.

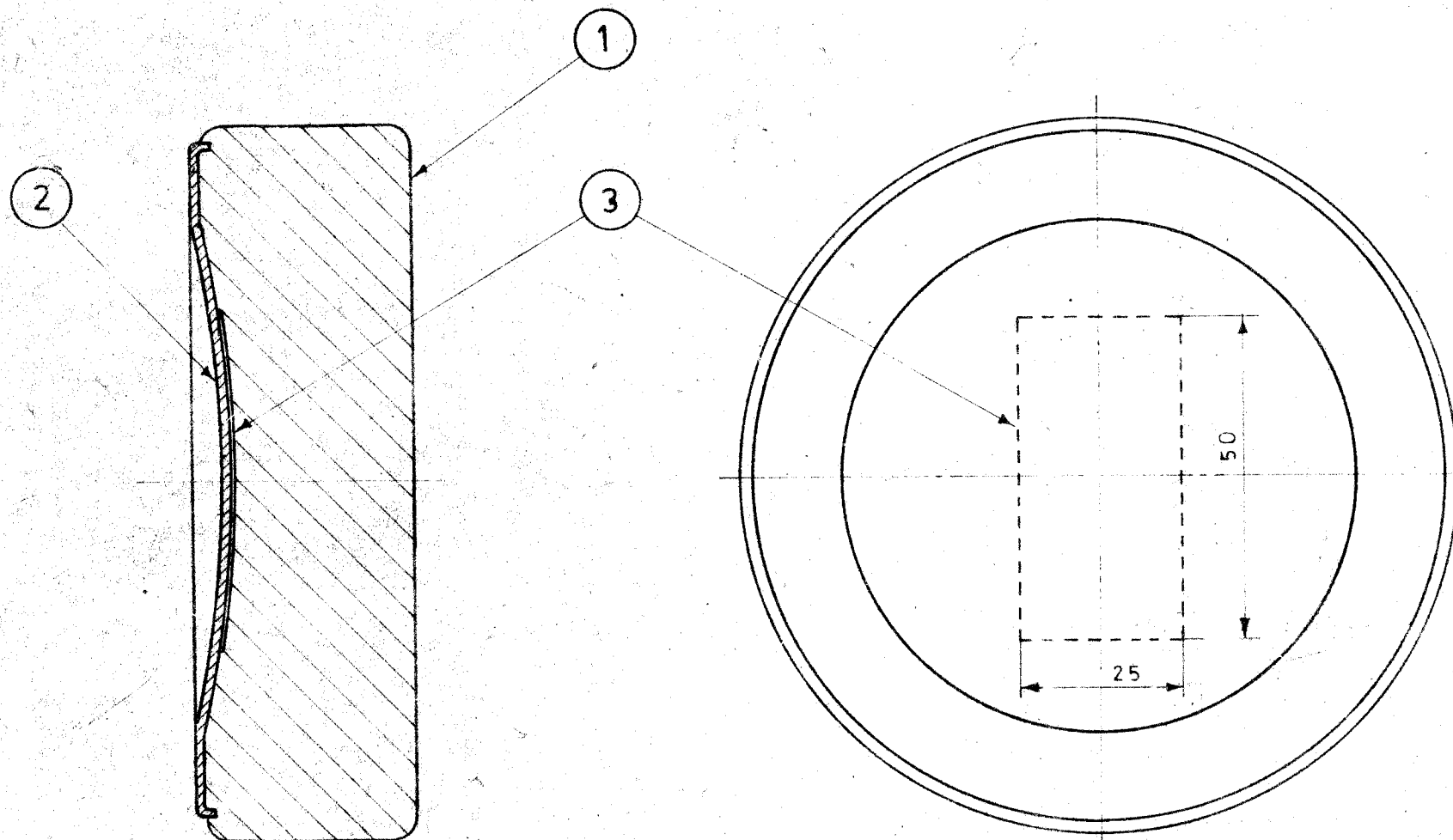
DRG. CONVENTIONS CONFORM TO IS. SPECS.
DIMS. ARE IN mm

UNLESS OTHERWISE STATED:- TOLERANCE AS PER
RADIUS
CHAMFER

DCI 32718-A
D.C.I. 33777-A

LIST OF COMPONENTS

ITEM No	DESCRIPTION	PART No	DESIGNER'S REF	No PER SET
1	SHOCK ABSORBER BODY 'D'	ISV 1582	CIA/AMN/2010 DET 7/1	1
2	DISC	ISV 1579	CIA/AMN/2010 DET 4/2	1
3	ADHESIVE TAPE TWO SIDE COMMERCIAL QUALITY	NOT APPLICABLE	NOT APPLICABLE	1



DATE	DCI	REVISION	DESCRIPTION	BY	SIG
23-11-84	DC.35855-A		SPEC. UP-DATED.		
22-1-84	DC.35657-A		DRG. FORMAT BOX ENTRIES ADDED. IS. SPECS WAS IS:696.TECHNICAL REQUIREMENT NOTE ADDED. UNDER LIST OF COMPONENTS AGAINST ITEM NO 3 NOT APPLICABLE ADDED IN PART NO AND DESIGNER'S REF. COLUMN		
9-7-85	DC.I.33777-A		DRG. SEALED.		
21-12-83			TRACED WITHOUT CHANGE		
			PREVIOUS DCs(I) Nos:- 32718-A, 33036-A, 33110-A & 33298-A		

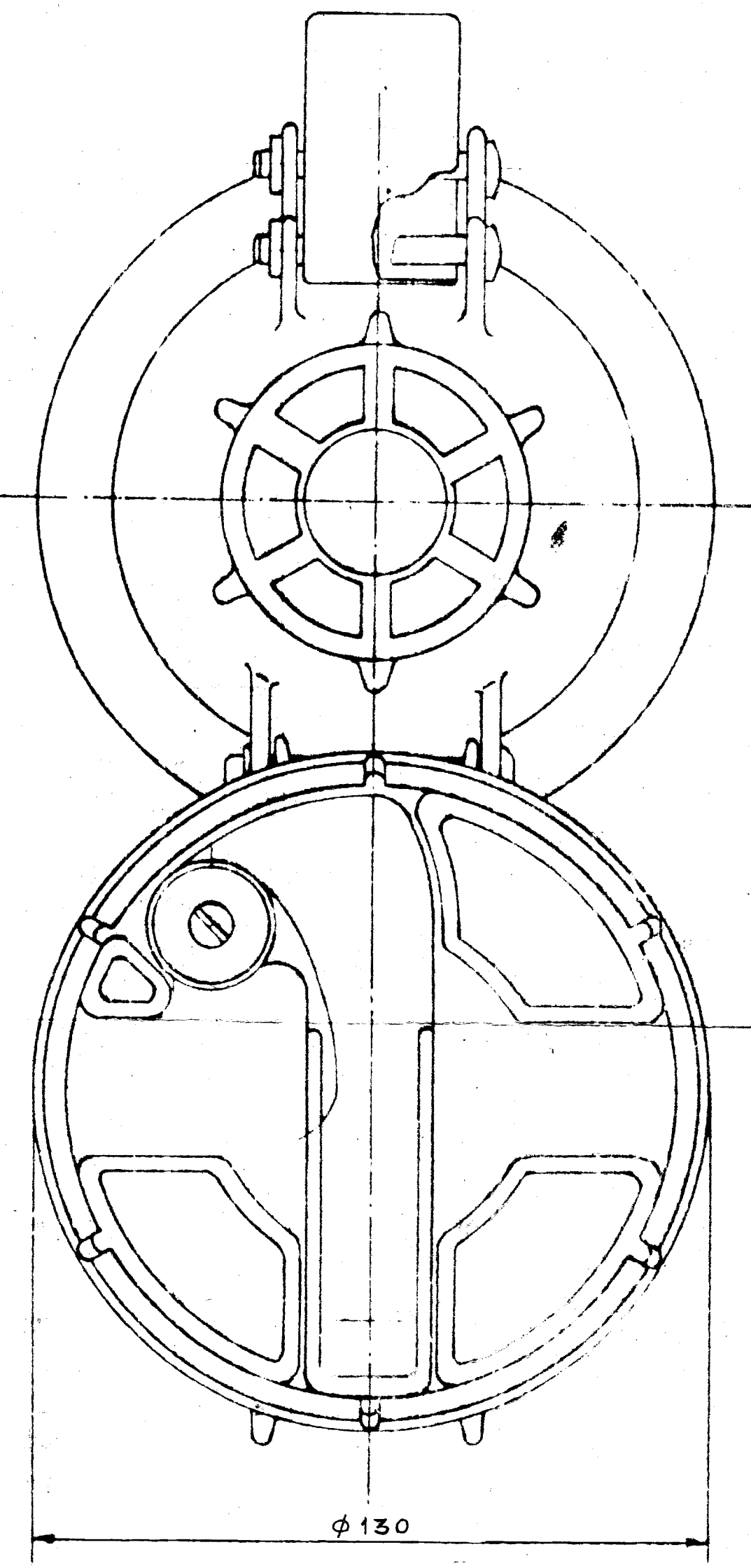
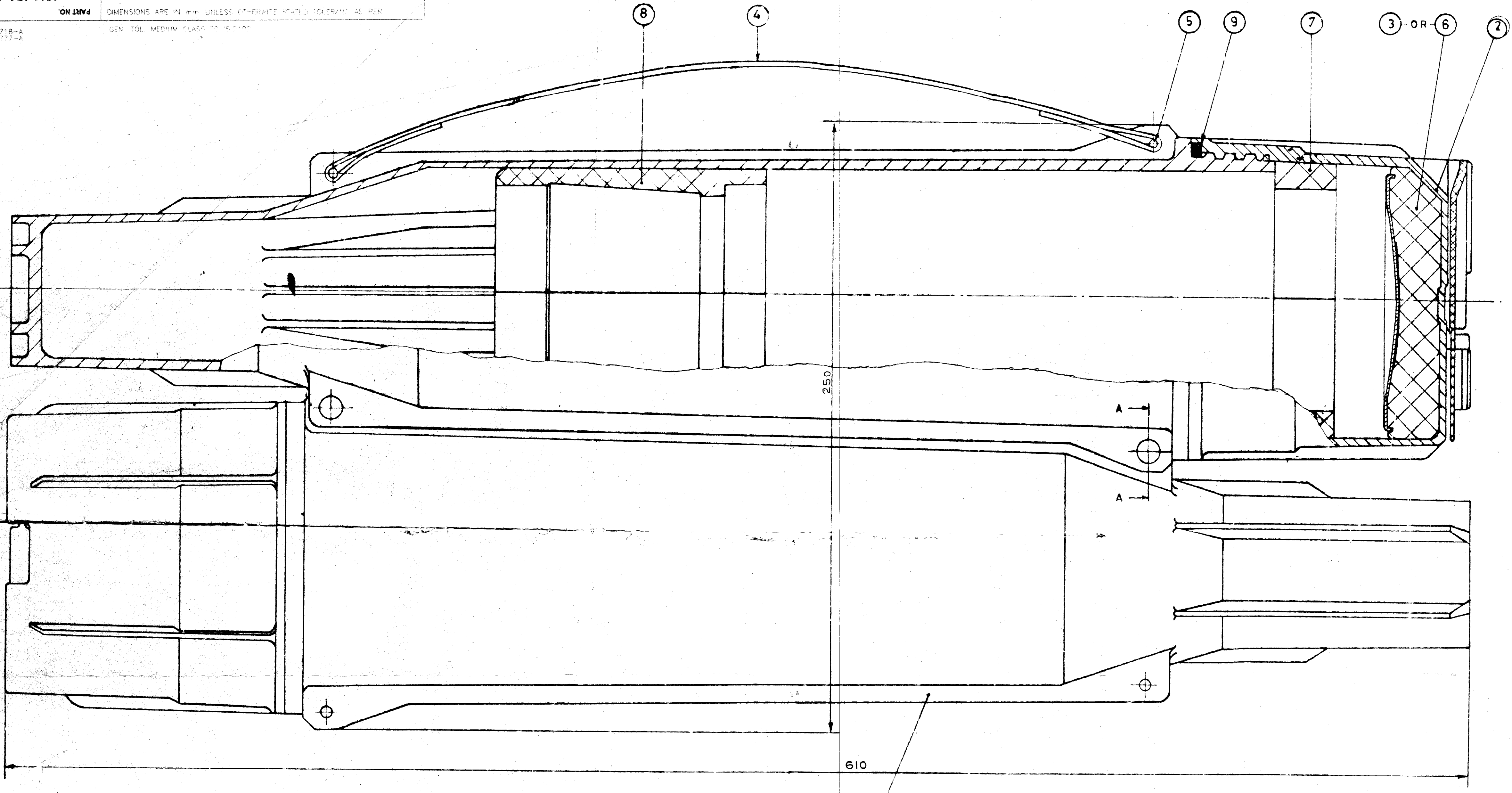
TECHNICAL REQUIREMENT:-
AS PER SPEC. CQA(A) 2804(K)

DRW - RMS	CND - VRS	TRD - ATT	MP - 10	ASSY DRG
SD/-	DC/AMN	DATE	SCALE - 1:1	ISV 470 A
APPD.	FOR C.Q.A(A)	DATE - 5	EST. MASS - 77.5 g	
MATL - NOT APPLICABLE	PROTECTIVE FINISH - NOT APPLICABLE		GAUGE SCH - NOT APPLICABLE	
			DESIGNER'S REF	CIA/AMN/2010 DET 7
			PART NO.	ISV 147 SA
			D.S. CAT. No.	NOT APPLICABLE
			AHSP	C.Q.A(A) KIRKEE

SHOCK ABSORBER ASSEMBLY 'B'

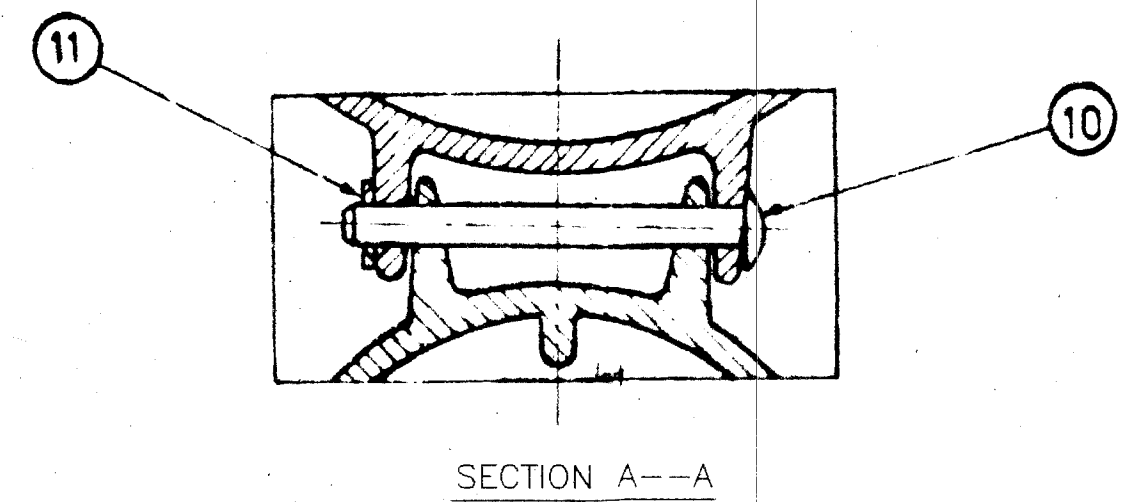
ISV 470 A

DRG. CONVENTIONS CONFORM TO IS SPECIFICATIONS
 DIMENSIONS ARE IN mm UNLESS OTHERWISE STATED TOLERANCE AS PER
 GEN. TOL. MEDIUM CLASS TO IS 2804



LIST OF COMPONENTS

S.No.	DESCRIPTION	DESIGNER'S REF.	PART No	QTY.
1.	BODY	CQA(A)/AMN./2010 DET. 1	ISV 144 SA	2
2.	LID ASSY.	CQA(A)/AMN./2010 DET. 2	ISV 145 SA	2
3.	SHOCK ABSORBER ASSY. "B" (FOR PACKING TPT ROUND)	CQA(A)/AMN./2010 DET. 7	ISV 147 SA	2
4.	HANDLE CARRYING	CQA(A)/AMN./2162	ISV 176 SA	1
5.	STEEL RIVET 4 X 42 TO SPEC. IS:2998 GALVANISED 12 μm & CHROMATED GREEN	NOT APPLICABLE	NOT APPLICABLE	2
6.	SHOCK ABSORBER ASSY. "A" (FOR PACKING HEAT ROUND)	CQA(A)/AMN./2010 DET. 4	ISV 146 SA	2
7.	REAR SUPPORT	CQA(A)/AMN./2010 DET. 5	ISV 1580	4
8.	FRONT SUPPORT	CQA(A)/AMN./2010 DET. 6	ISV 1581	4
9.	O RING	CQA(A)/AMN./2257	ISV 1664	2
10.	STEEL RIVET 4 X 50 TO SPEC. IS:2998 GALVANISED 12 μm & CHROMATED GREEN	NOT APPLICABLE	NOT APPLICABLE	2
11.	CIRCLIP C 4 X 0.7 STEEL IS : 3075 GALVANISED 12 μm & CHROMATED GREEN	NOT APPLICABLE	NOT APPLICABLE	4



SECTION A--A

NOTE :-
 FOR ITEM No. 5, 10 & 11.
 ALTERNATIVELY FOR ITEM No 10 MUSHROOM HEAD BOLT M 4 x 45 LONG AND
 FOR ITEM No 10 M 4 x 55 LONG EACH HAVING THREADED LENGTH OF
 15 mm APPROX. AND FOR ITEM No 11 APPROPRIATE QTY. TWO NUTS
 (ONE CHECK NUT) DULY TIGHTENED WITH TWO SUITABLE SPANNERS
 CAN BE USED. BOLTS AND NUTS TO BE OF COMMERCIAL QUALITY AND RUST PROTECTED.

"STICKER LABEL SIZE 10 X 50 CONTAINING TYPE AND LOT No.
 TO BE AFFIXED ON BODY."

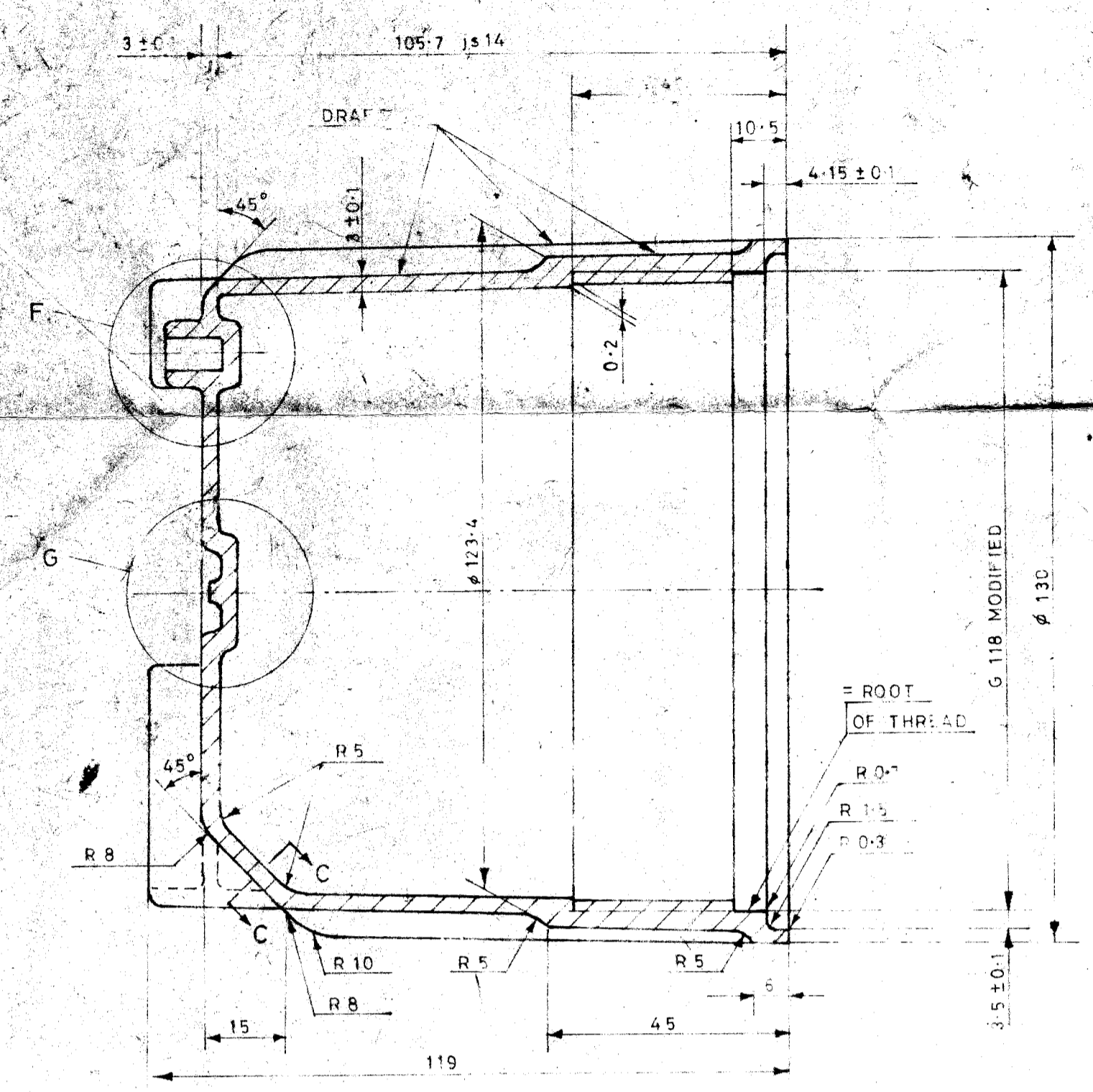
TECHNICAL REQUIREMENT:- AS PER SPEC. CQA(A) 2804(k)

2-1-05	DC 36999-A	REPAWN WITHOUT CHANGE & NEW MASTER COPY REPLACED BY SUPERSESSION OF 11-5-10 PLANNED COPY OF SAME ON	DRN: AMN	CHD:	TRD:	COMP:	ASSY DRG: ISV 389 GA ISV 404 GA
R. NO.	DATE	AUTHORITY	REVISION	ZONE	AMSP SIG	MATL: NOT APPLICABLE	DESIGNER'S REF. CIA/AMN/2010
DRG SEALED: 9-7-85							PROTECTIVE FINISH: NOT APPLICABLE

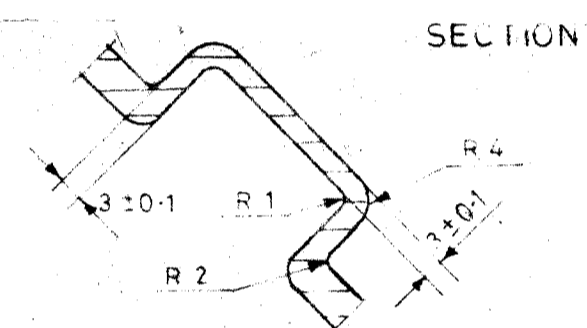
CARRIER, AMMUNITION, 12 A
 PLASTIC, FOR AMMUNITION CONTAINER ASSEMBLY, 123 A & 129 A

PART NO.	ISV 470 A
D.S. CAT NO.	NOT APPLICABLE
AHSP:	C Q A (A) KIRKEE

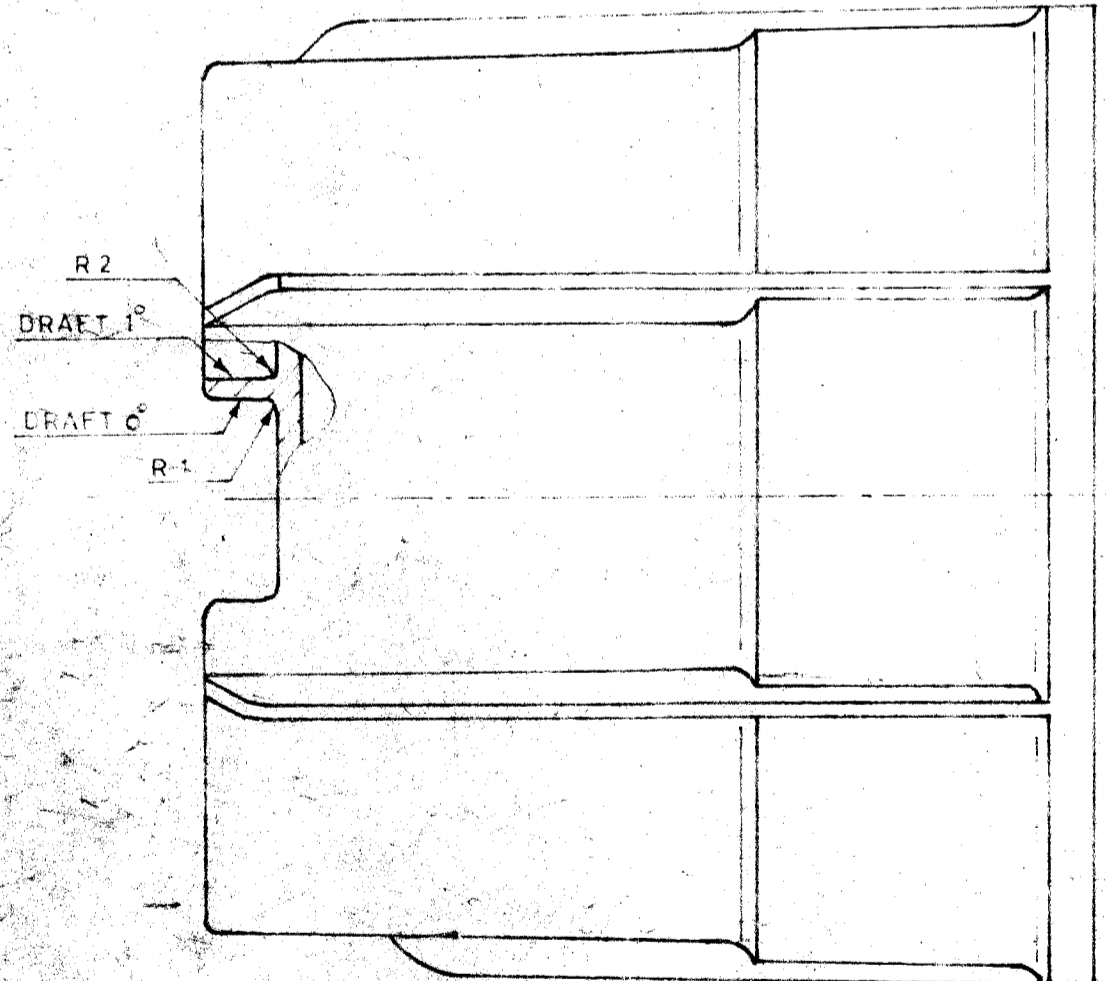
D.C.I. 32718-A
REV. 33777-A



SECTION B-B



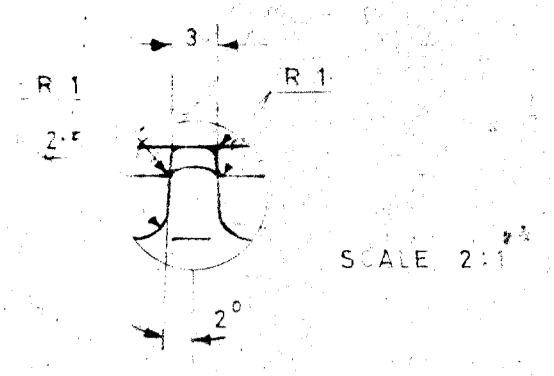
SECTION C-C



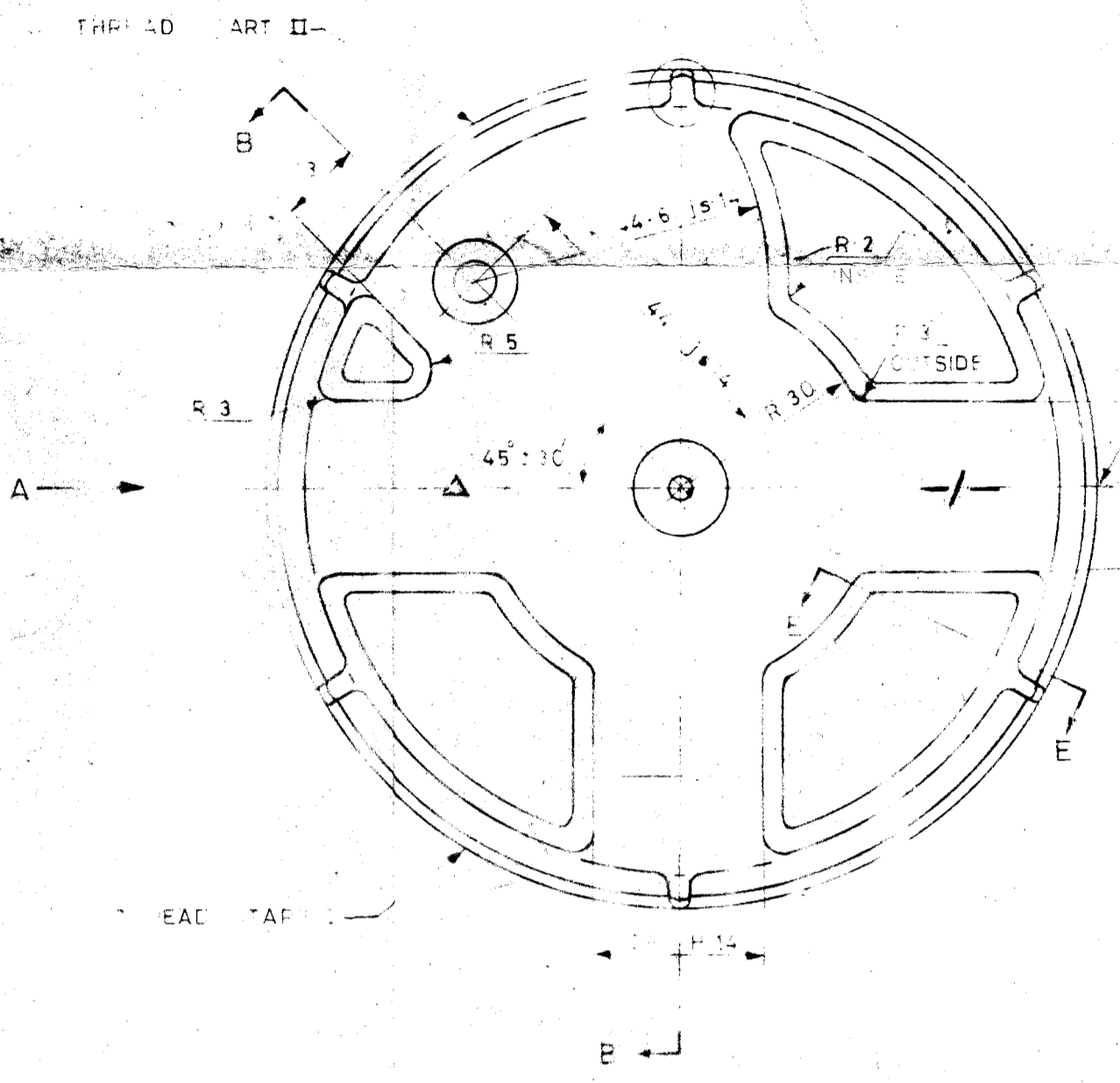
VIEW D

MARKINGS:-
TO BE MARKED IN 4mm LETTERING RAISED TO THE HEIGHT OF 0.5mm.

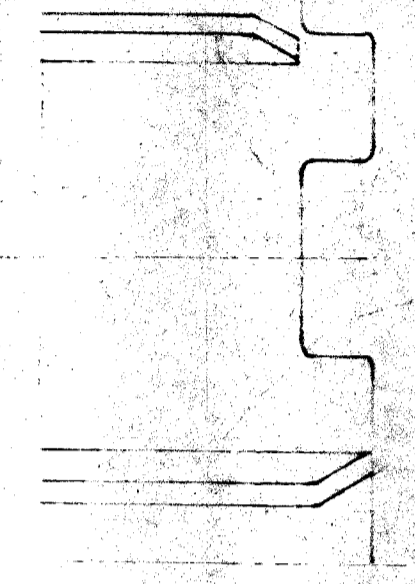
▲ CARRIER 12A
- 8140-000751



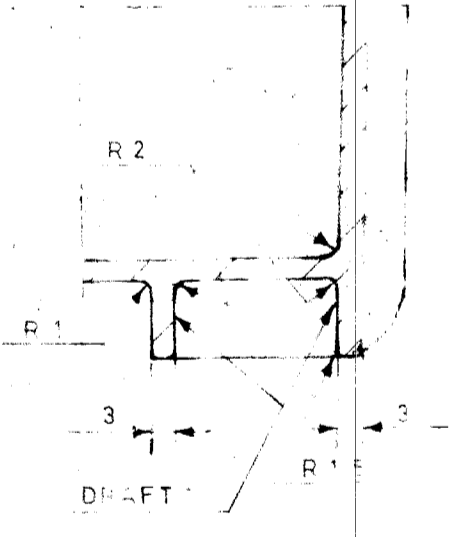
SCALE 2:1



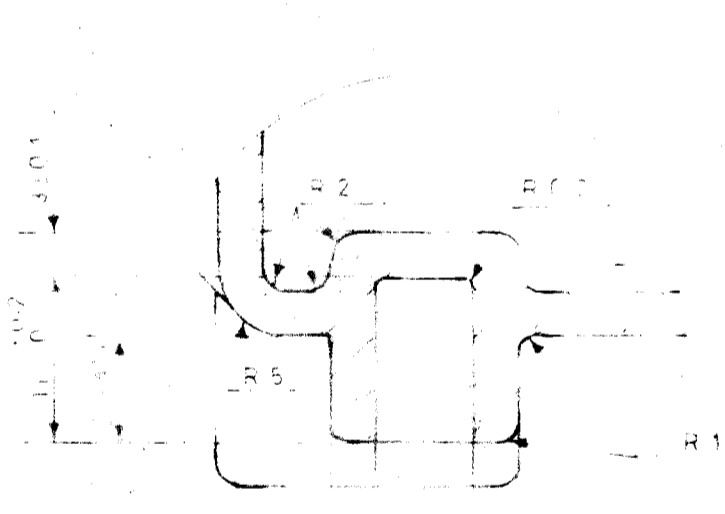
TOP VIEW



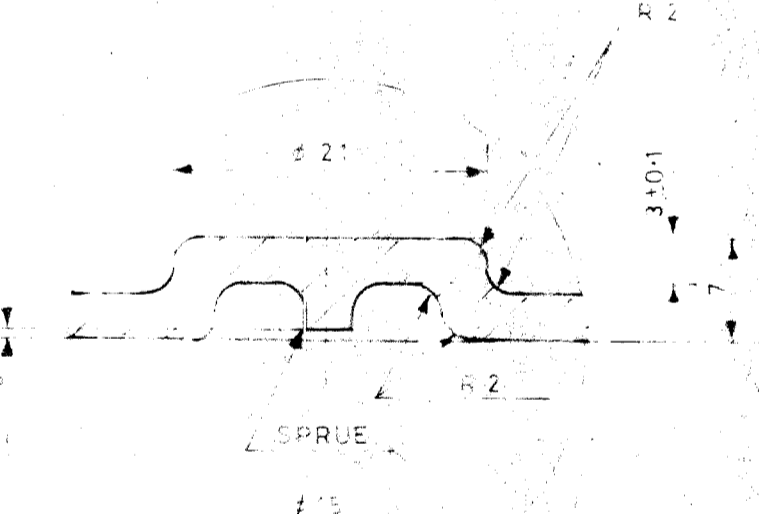
VIEW A



SECTION E-E



SCALE 2:1



SCALE 2:1

MATERIAL:-
HDPE, TYPE 2, TO SPEC ISS 2330-03-1995 REVISION NR.1. 2.703% CARBON. BLACK TO SPEC. IND/ME/944 (PROV) IS TO BE ADDED, TO THE BASIC MATERIAL, TO ACHIEVE BLACK COLOUR.

TECHNICAL REQUIREMENT:- AS PER SPEC CQA(A)2604(K)

28-9-80	DC 36117-A	NOTE RE. MATERIAL AMENDED.			
23-11-84	DC 35855-A	SPEC. UP DATED.			
22-1-84	D.C. 34657-A	DRG IMPROVED IN TYPE & TAIN REQUIREMENTS			
14-10-82	D.C. 33440-A	MATERIAL NOTE A REPEATED			
11-4-81	DC 35298-A	MATERIAL NOTE AMENDED.			
10-6-80	D.C. 34186-A	MATERIAL NOTE AMENDED.			
5-7-85	D.C.I. 33777-A	NOTE RE. MATERIAL AMENDED. AMENDED TO AS PER IS: 15: 15 RADIUS CHAMFER.			
1-12-85		TRAILED IN THROU CHANGE PREVIOUS D.C.I. 32718-A, 32800-A & 33221-A			
REV	DATE	AUTHORITY	REVISION	ZONE	APP'D
					SG

DRG SEALED: 19-7-85

LID

8791 ASI
PART No.

DRG. CONVENTIONS CONFORM TO IS : SPECS
DIMS. ARE IN mm

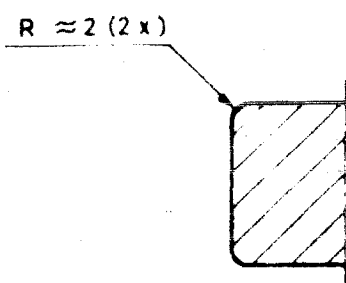
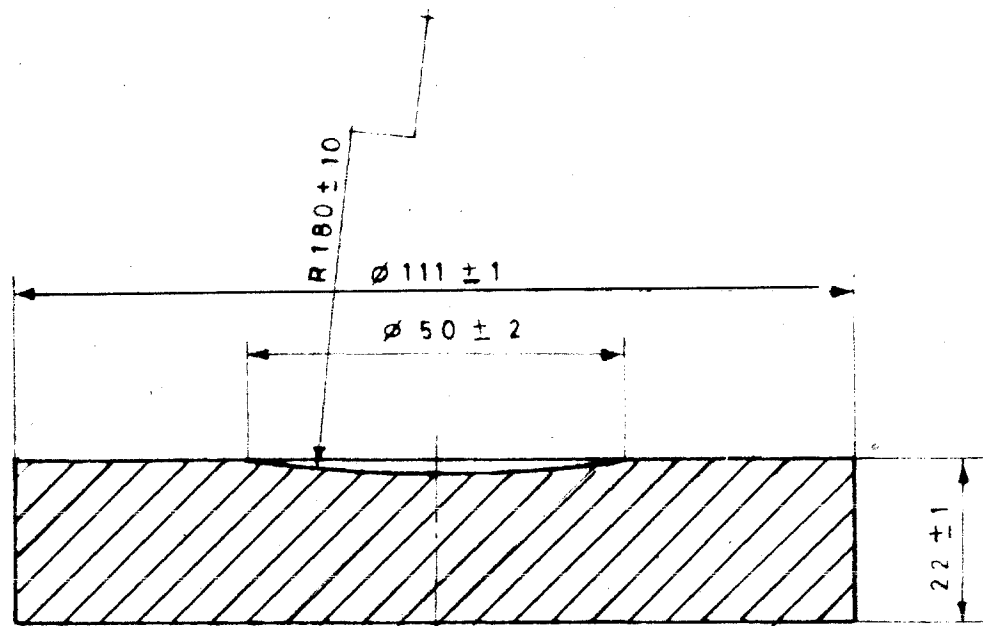
UNLESS OTHER WISE STATED:- TOLERANCE AS PER
RADIUS
CHAMFER

AT COMPRESSION :-

MAX LOAD CAPACITY FOR 10 % = 12 N/cm² (1.2 kp/cm²)
MAX LOAD CAPACITY FOR 30% = 11 N/cm² (1.1 kp/cm²)
MAX PERMISSIBLE PERMANENT DEFORMATION AFTER
10 % COMPRESSION AND RELEASE FOR 1 MINUTE = 5%
COMPRESSION AND RELEASE SPEED = 10 mm /MIN.

MATERIAL:-

EXPANDED POLYSTYRENE DENSITY 15- 18 kg /m³
TO SPEC. IS : 4671 : 1984 (REAFFIRMED IN 1990)
TECHNICAL REQUIREMENT :- AS PER SPEC CQA(A) 2804 (k)



ALTERNATIVE DESIGN

						DRN:- B B J	CHD:- V R S	TRD:- A T T	COMP:-	ASSY. DRG.
						SD/- C.D'MAN				ISV 146 SA
						APPD.		SCALE:- 1:1		
						FDR CQA(A)		EST. MASS :- 5.5 g		
								Gauge SCD: NOT APPLICABLE		
								DATE :- 5-5-78		
								DESIGNER'S REF.		
								CIA / AMN / 2010		
								DET. 4/1		
								PART No.		
								ISV 1578		
								D.S. CAT. No		
								NOT APPLICABLE		
								ANSP : C.Q.A (A.) KIRKEE		

2-2-05 DC 36999-A
DRG. SEALED :- 9-7-85

REDRAWN WITHOUT CHANGE & NEW MASTER COPY REPLACED
IN SUPER SESSION OF EXISTING DILAPIDATED COPY
OF SAME No.
PREVIOUS DCs Nos. 32718-A, 32800-A, 33298-A, 33777-A
35857-A & 35855-A.

SHOCK ABSORBER BODY 'C'

3/P

08SI ASI

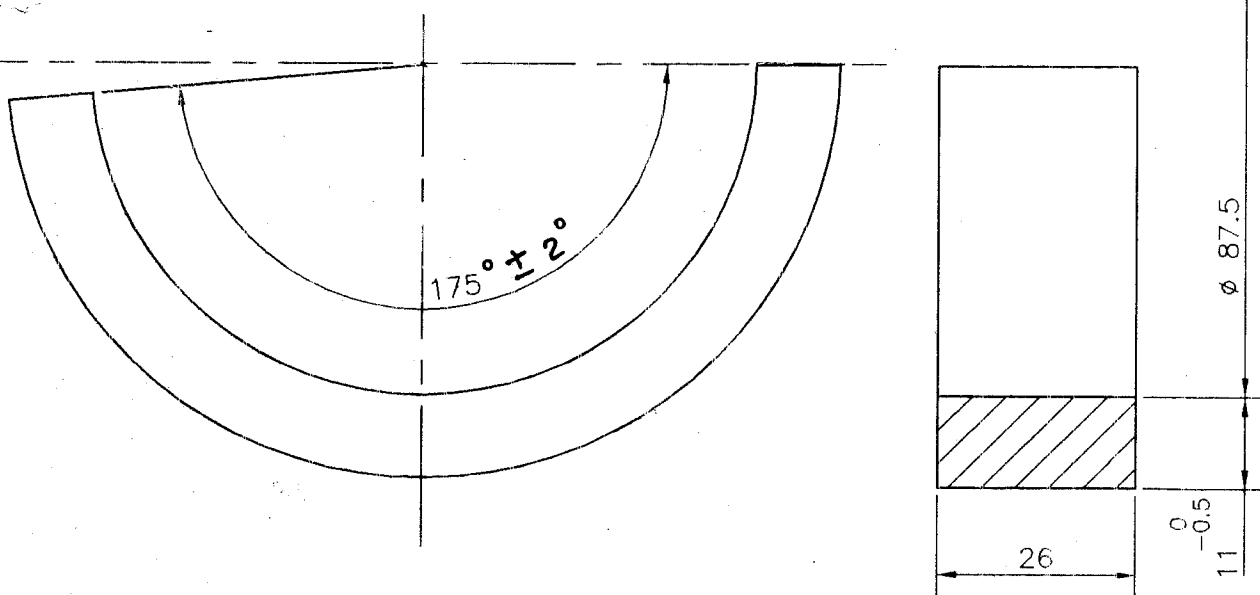
PART No.

DRG. CONVENTIONS CONFORM TO IS: SPECIFICATIONS.

DIMENSIONS ARE IN mm.

DC.32718-A
DC.33777-A

UNLESS OTHERWISE STATED :-TOL AS PER $\pm IT \frac{15}{2}$
RADIUS 0.3
CHAMFER 0.3 X 45°



MATERIAL:-

EXPANDED POLYSTYRENE DENSITY 70 kg/m³ NATURAL COLOUR
TO SPEC IS:4671:1984 (REAFFIRMED IN 1990)

TECHNICAL REQUIREMENT:- AS PER SPEC CQA(A) 2804 (k)

	02-02-2005	DC. 36999-A	REDRAWN WITHOUT CHANGE & NEW MASTER COPY REPLACED IN SUPERSESSON OF EXSITING DILAPIDATED COPY OF SAME No.			
			PREVIOUS DCs No.32718-A 33036-A33110-A 33298-A 33777-A,36657-A, & 35855-A		SD/-	SD/-
R.No.	DATE	AUTHORITY	REVISION	ZONE	AHSP	D.O.
					SIG.	

DRG. SEALED:- 09-07-1985

DRN. SST	CHD.	TRD.	COMP.	ASSY. DRG. ISV 470 A
SD/- C.D'MAN	O/I C.D.O.	SCALE:- 1 : 1	EST.MASS:- 3.5 kg	
APPD.	FOR CQA(A)	GUAGE SCHD:- NOT APPLICABLE	DATE:- 05-05-1978	
MATL:- AS ABOVE	DESIGNER'S REF. CIA/AMN/2010	DET. 5		
PROTECTIVE FINISH:- NOT APPLICABLE	PART No. ISV 1580			

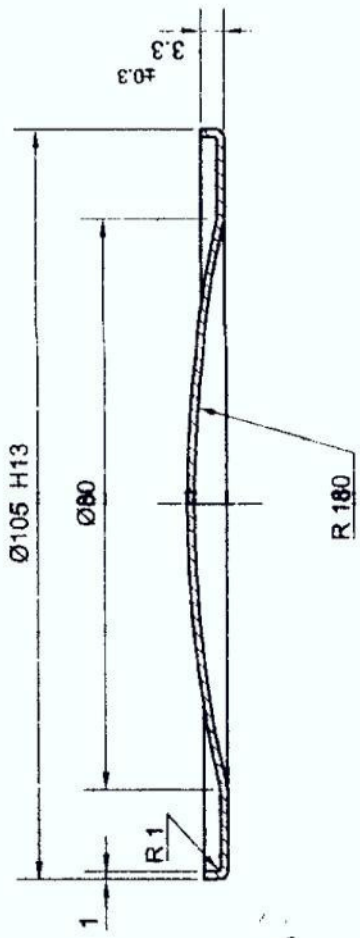
REAR SUPPORT

D.S.CAT No.	NOT APPLICABLE
AHSP:-	CQA(A) KIRKEE

4 3 2 1

6751 ASI PART No. **CRG.CONVENTIONS CONFORM TO IS: SPECIFICATIONS.**
 DIMENSIONS ARE IN mm.

DC. 32718-A UNLESS OTHERWISE STATED :- TOLERANCE AS PER \pm IT $\frac{15}{2}$
 DC. 33777-A RADIUS 0.3
 CHAMFER 0.3 X 45°



MATERIAL :-
 STEEL SHEET / STRIP TO SPEC.
 (a) IS:513:1986 (THIRD REVISION) (AMENDMENT THREE) (REAFFIRMED IN 1992)
 COLD ROLLED AND ANNEALED BEST SURFACE TYPE 'D' OR
 (b) IS:1079-1988 (REAFFIRMED 'N 1992) HOT ROLLED AND ANNEALED GRADE Fe 330
TECHNICAL REQUIREMENT :- AS PER SPEC. COA(A) 2804 (k)

02-02-05	DC.36999-A	REDRAWN WITHOUT CHANGE & NEW MASTER COPY REPLACED IN SUPERSESSION OF EXISTING DILAPIDATED COPY OF SAME NO			
		PREVIOUS D.C.NOS. 32718-A,32800-A,33298-A 33777-A,35657-A & 35855-A		SD/-	
R.No.	DATE	AUTHORITY	REVISION	AHSP	D.O.
			ZONE	SIG.	

DRG. SEALED:- 9-7-85

DRN. <i>Bangande</i>	CHD.	SD/-	TRD.	COMP.	ASSY. DRG.
SD/-	SD/-	SD/-	SCALE:- 1:1		ISV 146 SA & ISV 147 SA
C.D'MAN	O/C D.O		EST MASS:- 70 g		
APPD.	SD/-		GAUGE SCHED:- NOT APPLICABLE		
	FOR COA(A)		DATE:- 5-5-78		

MAT'L:- AS ABOVE
 P. TECTIVE FINISH:- ZINC PLATED IN ACCORDANCE WITH SPEC.
 IS:1573:1986 (REAFFIRMED IN 1991) SERVICE CONDITION 2.
 CLASS Fe Zn 12 AND CHROMATED.

DESIGNER'S REF. **CIA/AMN/2010** DET. 4/2
 PART No. **ISV 1579**
 D.S.CAT No. NOT APPLICABLE
 AHSP:- **COA(A) KIRKEE**

DISC

6291 ISI

PART No.

DRG. CONVENTIONS CONFORM TO IS: SPECIFICATIONS.

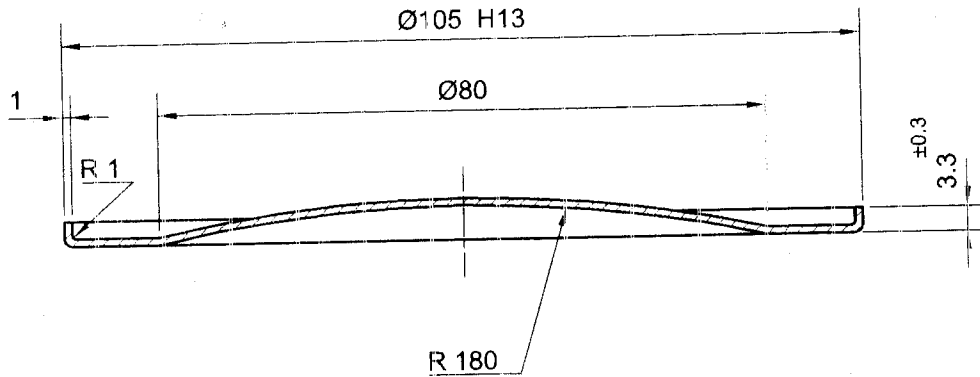
DIMENSIONS ARE IN mm.

DC. 32718-A
DC. 33777-A

UNLESS OTHERWISE STATED :- TOLERANCE AS PER $\pm IT \frac{15}{2}$

RADIUS 0.3

CHAMFER 0.3 X 45°



MATERIAL :-

STEEL SHEET / STRIP TO SPEC.

- (a) IS:513:1986 (THIRD REVISION) (AMENDMENT THREE) (REAFFIRMED IN 1992) COLD ROLLED AND ANNEALED BEST SURFACE TYPE 'D' OR
- (b) IS:1079-1988 (REAFFIRMED N 1992) HOT ROLLED AND ANNEALED GRADE Fe 330

TECHNICAL REQUIREMENT :- AS PER SPEC. CQA(A) 2804 (k)

02-02-05	DC.36999-A	REDRAWN WITHOUT CHANGE & NEW MASTER COPY REPLACED IN SUPERSESSION OF EXISTING DILAPIDATED COPY OF SAME NO				
		PREVIOUS D.C.NOs. 32718-A,32800-A,33298-A 33777-A,35657-A & 35855-A				SD/-
R.No.	DATE	AUTHORITY	REVISION	ZONE	AHSP	D.O.
						SIG.
DRG. SEALED:- 9-7-85						
DRN. <i>Gangurule</i>	CHD. SD/-	TRD.	COMP. <input checked="" type="checkbox"/>	ASSY. DRG.		
SD/- C.D'MAN	SD/- O I/C D.O.	SCALE:- 1:1	EST.MASS:- 70 g	ISV 146 SA & ISV 147 SA		
APPD.	SD/- FOR CQA(A)	GUAGE SCHD:- NOT APPLICABLE	DATE:- 5-5-78			
MATERIAL AS ABOVE				DESIGNER'S REF.		
PROTECTIVE FINISH:- ZINC PLATED IN ACCORDANCE WITH SPEC.				CIA/AMN/2010 DET. 4/2		
IS:1573.1986 (REAFFIRMED IN 1991) SERVICE CONDITION 2, CLASS Fe Zn 12 AND CHROMATED.				PART No. ISV 1579		
DISC				D.S.CAT No. NOT APPLICABLE		
				AHSP:- CQA(A) KIRKEE		

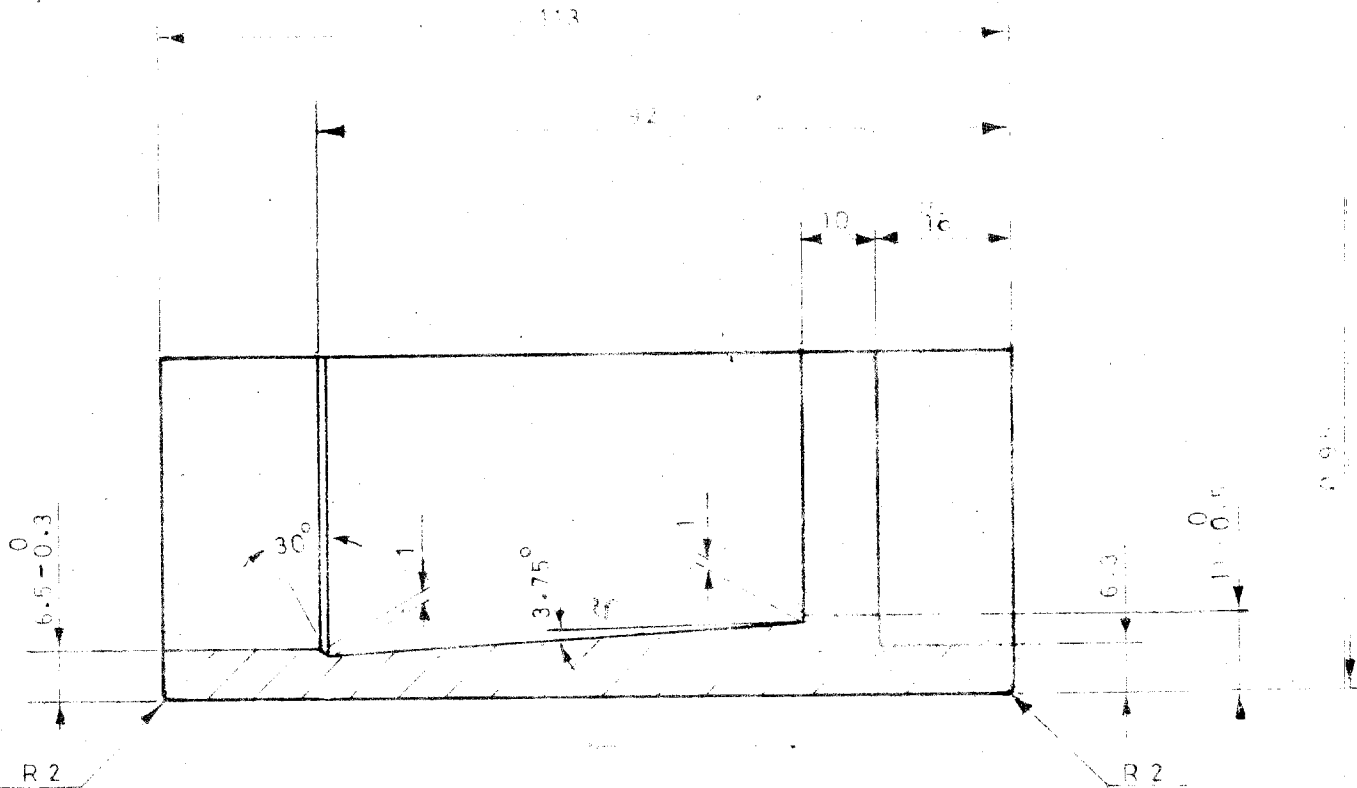
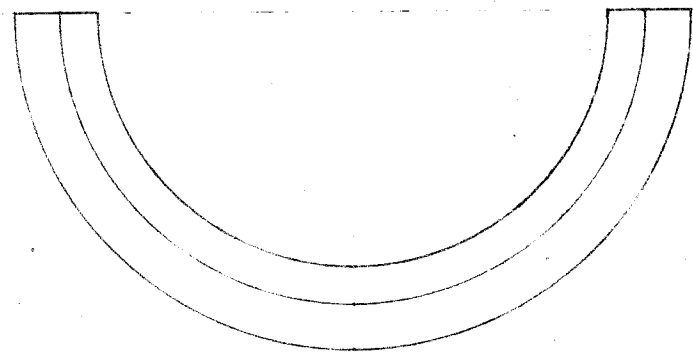
1891 ISV

D.C.I. 32718-A
D.C.I. 33777-A

CONFORM TO IS SPECS.

UNLESS OTHERWISE STATED, TOLERANCE AS PER ± 0.15

RADIUS R2
CHAMFER 1.3 x 45°



MATERIAL :-

EXPANDED POLYSTYRENE DENSITY 1.05 gm³ NATURAL
COLOUR TO SPEC IS:4571:1384 (REAFFIRMED IN 1990)

**TECHNICAL REQUIREMENT :-
AS PER SPEC. CQA(A)2804(K)**

23-11-94	DC.35855-A	SPEC. UP-DATED			
22-1-94	D.C.35657-A	DRG FORMAT BOX ENTRIES ADDED. IS SPECS. WAS IS:633 TECHNICAL REQUIREMENT NOTE ADDED. MATERIAL SPEC. AMENDED.			
9-7-85	D.C.I.33777-A	DRG. SEALED.			
21-12-83		TRACED WITHOUT CHANGE			
		PREVIOUS D.C.S(D) NOS:- 32718-A, 33036-A, 33110-A AND 33298-A			
DATE	AUTHORITY	REVISION	ZONE	AHSP SIG.	D.C.

DRAWN - ABJ	CMD - VRS	TRD - ATT	COMP -
SD/- C.E. MAN	DIC B.O.	SCALE - 1:1	EST. MASS - 70g
APPD.	FOR C.Q.A(A)	GAUGE SCHED. NOT APPLICABLE	DATE - 1-5-78
MATL - AS ABOVE	PROTECTIVE FINISH - NOT APPLICABLE		

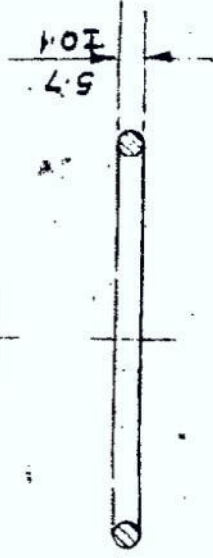
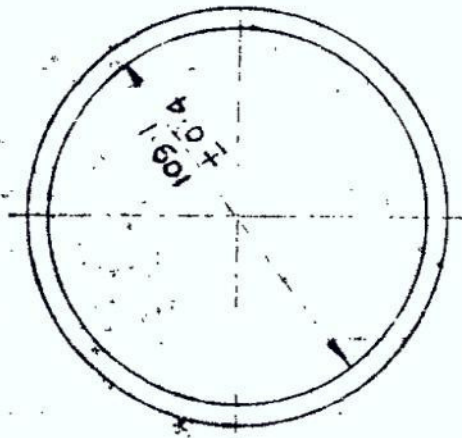
ASST. DRG.	ISV 470.A
DESIGNER'S REF.	CIA/AMN/2010 DET 5
PART No.	ISV 1581
D.S. CAT. No.	NOT APPLICABLE
AHSP	C.Q.A (A) KIRKEE

FRONT SUPPORT

21

DRG. CONVENTIONS CONFORM TO IS: 6 SPECS.
DIMNS. ARE IN MM

15V 1664
ON LHM
D.C.I. 33298-A
D.C.I. 33777-A2



TECHNICAL REQUIREMENT
AS PER SPEC. CQA(A) 2804(K)

MATERIAL:
NATURAL VULCANISED RUBBER
CLASS 'A' TO SPECN. IND/ME/584(f)

28-1-94	D.C. 35855-A	SPEC. I.P. DATED	100
22-1-94	D.C. 35657-A	DRG. FORMAT BOX ENTRIES ADDED. IS: 6 SPECS. WAS IS: 696 TECHNICAL REQUIREMENT NOTE ADDED.	
9-7-85	D.C. 13377-A	PART NO. 15V 470A ADDED TO DRG. COLUMN & DRG. SEALED	
19-8-82		TRACED WITHOUT CHANGE	
31-3-82	D.C. 133298-A	DRG. SEALED (PROV)	50% NEP DRG.

PMW 10 VRS 10 KMR COM: 15V 470A
PROV: 1/2

50%
EST MASS: 1.5g
SCALE: 1:1
NOT APPLICABLE
FOR DRG. 12-2-82

AS ABOVE
NOT APPLICABLE

O RING

15V 1664

DESIGNED BY: CIA/AMIN/225

PART NO.

NOT APPLICABLE

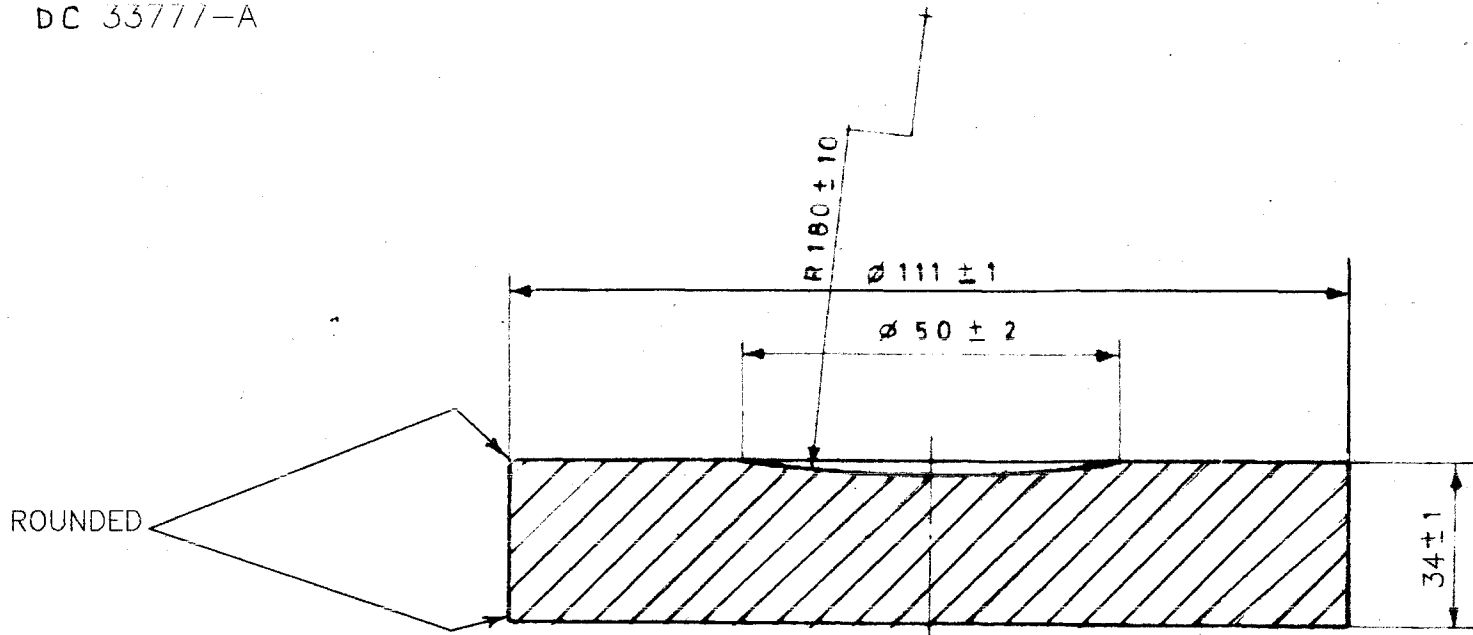
COMPLIANCE

ISV 1582

DRG. CONVENTIONS CONFORM TO IS: SPECS

PART No. DIMS. ARE IN mm

DC 32718-A
DC 33777-A



UNLESS OTHER WISE STATED TOLERANCE AS PER
RADIUS
CHAMFER

NOTE:-

MAX LOAD CAPACITY FOR 10% COMPRESSION= 0.1 N/mm²
MIN LOAD CAPACITY FOR 30% COMPRESSION=0.11 N/mm²
MAX PERMISSIBLE PERMANENT DEFORMATION AFTER
10% COMPRESSION AND RELEASE FOR 1 MINUTE=3 %
COMPRESSION AND RELEASE SPEED=10mm/MIN

MATERIAL:-

EXPANDED POLYSTYRENE DENSITY 30-35 kg/m³
TO SPEC IS:4671:1984 (REAFFIRMED IN 1990)

TECHNICAL REQUIREMENT:-AS PER SPEC CQA(A) 2804(k)

						DRN:- B B J	CHD:- V R S	TRD:- A T T	COMP:- <i>[Signature]</i>	ASSY. DRG.	ISV 147 SA
2-2-05		DC.36999-A		REDRAWN WITHOUT CHANGE & NEW MASTER COPY REPALCED IN SUPER SESSION OF EXISTING DILAPIDATED COPY OF SAME No.		SD/- C.D'MAN		SCALE:- 1:1		EST. MASS:- 7.5 g	
				PREVIOUS DCs No. 32718-A,33298-A,33777-A, 35657-A&35855-A.		APPD.		G A U G E S C H D : N . A .		DATE :- 5-5-78	
E. No.		DATE		AUTHORITY		REVISION		ZONE		ANSP D.O. SIG.	
DRG. SEALED		9-7-85				M A T L . :- A S A B O V E		P R O T E C T I V E F I N I S H :- N O T A P P L I C A B L E		DESIGNER'S REF. CIA/AMN/2010 DET 7/1	
										PART No. ISV 1582	
										D.S. CAT. No. NOT APPLICABLE	
										ANSP: C.Q.A (A.) KIRKEE	

SHOCK ABSORBER BODY 'D'

[Handwritten signature]