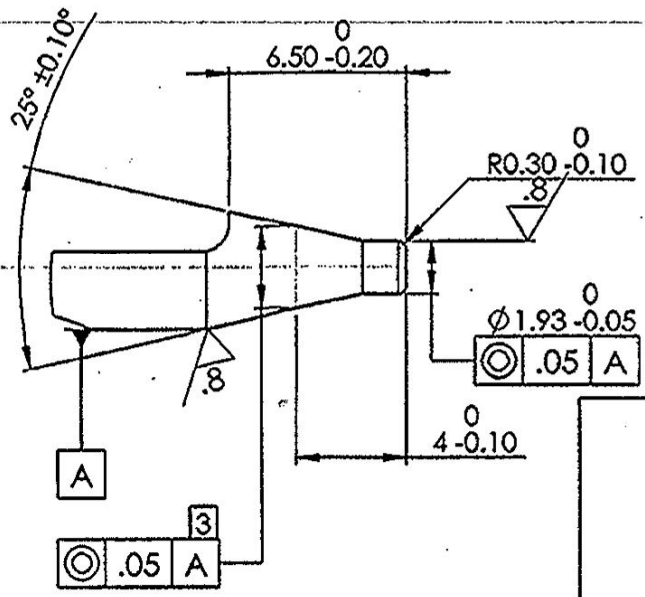


CERTIFIED CORRECT COPY
OF ORIGINAL DRAWINGS
AT 05.07.19
Director's Drawing Office
Tiruchirappalli-620016.

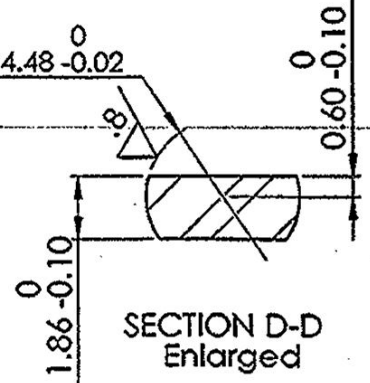
Material : Steel BS:970 Pt.1 1983 Gr.817 M40(En24)
(or) Steel BS:970 Pt.1 1983 Gr.826 M31(En25)
(or) Steel BS:970 Pt.1 1983 Gr.826 M40(En26)

Hardness: 425-500 HV

Protective Finish :
Hard chrome plating 8-12 microns all over



DETAIL A enlarged



SECTION D-D Enlarged

AMENDMENTS	SIG. & DATE	SIGNATURE & DATE.	SUB: Firing Pin	SCALE NTS
			FOR: Bolt Assy OF: TRICHY ASSAULT RIFLE	QPG 1
			DES. REF. NO. K-2015	Weight (g) 4.93
			DRG. No.: TAR-K-2015	SHEETS: 1
			FT ORDNANCE FACTORY TIRUCHIRAPPALLI-16.	SHEET No.: 1
		APPROVED ON. 13/12/2017		