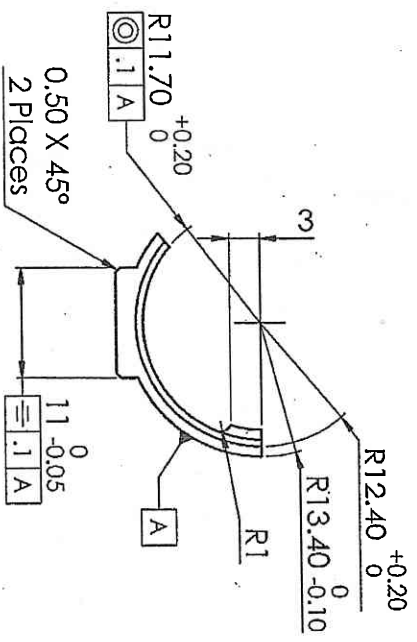
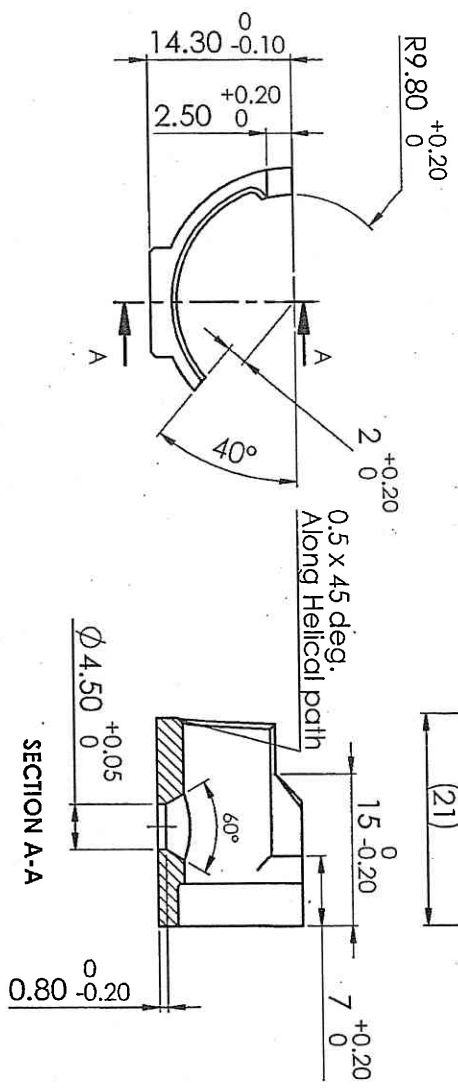
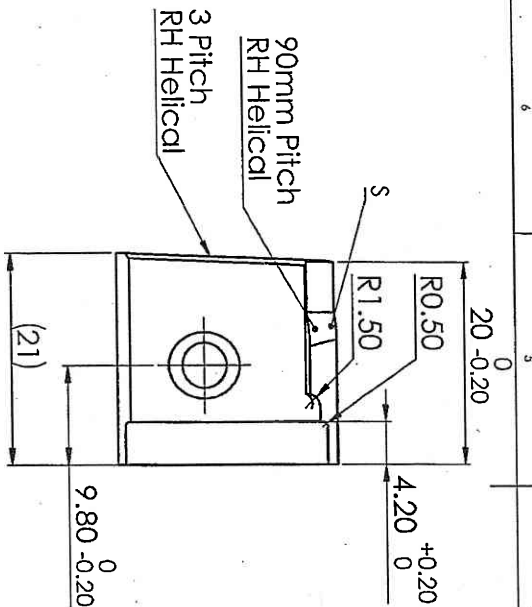


Amendments	Sign & Date
DA No. 24/22	<i>[Signature]</i>
Dt.: 22/03/2022	



MIM 4605 Composition

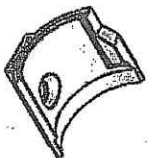
Element	C	Mn	Si	NI	Mo	Cr	S	P
Min	0.3	-	-	1.5	-	-	-	-
Max	0.6	0.5	0.5	2.5	0.5	0.5	0.05	0.05

Hardness : 300-360HV
Surface 'S' to be induction hardened to 440-500 HV

MIM-SZ Composition

Element	C	Mn	Si	Cr	NI	MO	S	P
Min (%)	0.45	-	0.2	2.5	-	1.0	-	-
Max (%)	0.7	0.5	1.0	3.5	0.3	1.8	0.05	0.05

UN CONTROLLED COPY
CERTIFIED CORRECT COPY OF APPROVED
DRAWINGS AT THIS DATE: 25/03/22
DESIGN & DRAWING OFFICE:
ORDNANCE FACTORY, TRUCHIRAPPALI-520 016.



sub: **Bullet Guide**

Material: MIM-SZ	3RD Angle	SIGN	DATE	FOR: RECEIVER ASSY	Do not scale Drawing
Hardness: 300-360 HV	DRAWN	<i>[Signature]</i>	27/12/21	PROJ. TRICHY ASSAULT RIFLE	QPG
FINISH: SKOXIDE	CHECKED			DWG. MIM-K-1101-01	1
Un Inducted dimensions IS:2:102	HOS/D&DO			WT. (Approx) gm	8.97
Medium	OFFICER/Prdn			SHEET:	1 OF 1
PDM CONTROL	D.V.OFF. DES/DOO			ORDNANCE FACTORY	
	Approved on: 07/09/2021			TRUCHIRAPPALI-16.	