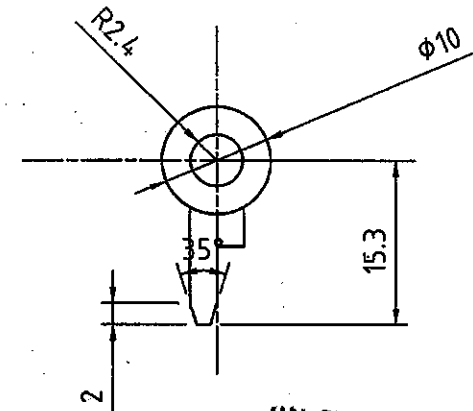
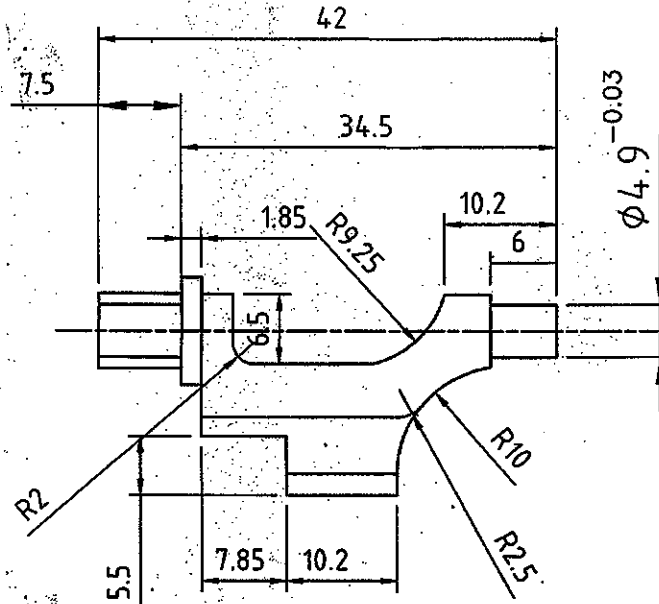
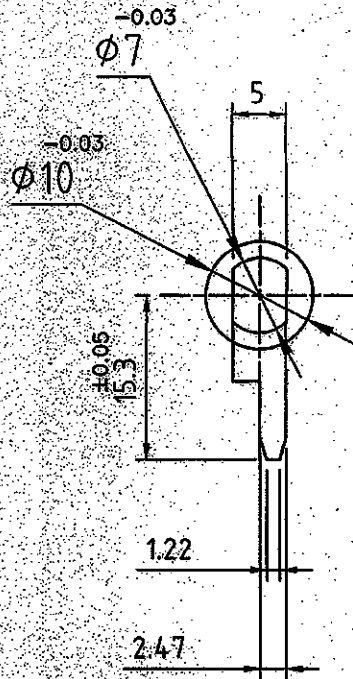


DRG. NO. K-2074

DIMENSIONS ARE IN mm.
 UNTOLERATED DIMNS. AS PER IS : 2102 (MED)
 MARK DRAWING No.



UN CONTROLLED COPY

CERTIFIED CORRECT COPY
 OF APPROVED DRAWINGS
 AT THIS DATE: 9.3.96

Design & Drawing Office
 Ordnance Factory,
 Tiruchirappalli-620016.

MATERIAL:

ALT. MATL: 1. BS 970: Pt.1: 1983, Gd. 817 M40.

ALT. MATL: 2.

PROTECTIVE FINISH : PHOSPHATED TO SPEC. JSS:04601-1988
 CLASS 1 (ACCELERATED) OIL FINISH

C. Kanna
 DGM
 (NODAL OFFICER
 FOR TAR)

AMENDMENTS	SIG. & DATE

TRIGGER					
PART NO.	DESCRIPTIONS	NO OFF	MATERIAL	TREATMENT	REMARKS
	SIGNATURE & DATE.	SUB: SELECTOR LEVER		SCALE 1:1	
TRACED		FOR: SELECTOR		STORE DRG. NO. K-2074	
DRAWN		OF: TRICHY ASSAULT RIFLE-RB-K		OPERATION NO. ----	
CHECKED		DES. REF. NO.			
HOS/D&DO		DRG. No.: TAR-RB-K-2074			
OFFICER/PRODN.				SHEETS: 1	
OFFICER/D&DO				SHEET No.: 1	
	APPROVED ON.				

