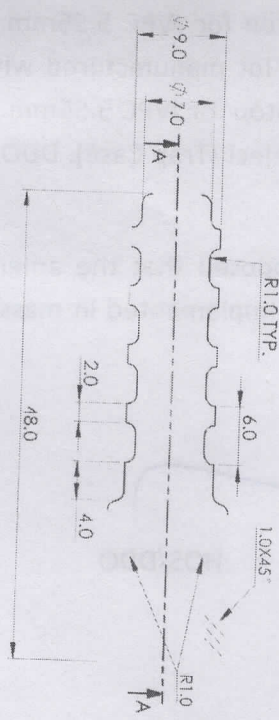
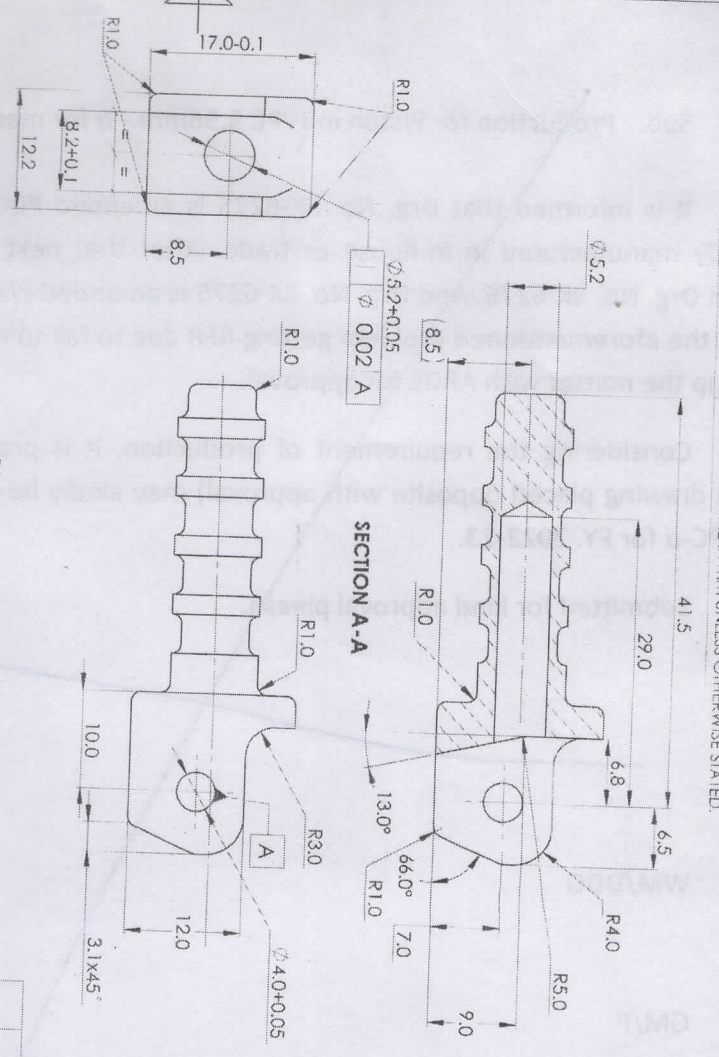
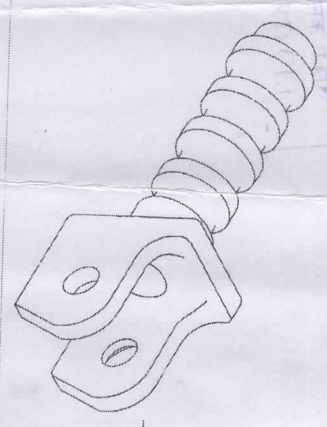


GENERAL TOL. FINE / MEDIUM / COARSE
 CLASS TO IS: 2102
 DRG. CONVENTIONS CONFORM TO INDIAN STANDARDS
 DIMENSIONS ARE IN MM UNLESS OTHERWISE STATED.



શ્રીમતી શ્રી મતી મોસલેસ
 Certified as per
 of drg. on 16/01/2019
 Dr. Works Manager
 STANDARDS

- NOTES:
- 1) REMOVE ALL SHARP EDGES AND BURRS.
 - 2) DIMENSIONS ARE TO BE READ AS APPLIED AFTER PROTECTIVE COATING.
 - 3) IF THE COMPONENT IS TO BE MANUFACTURED THROUGH MIM ROUTE, REFER ARDE SPECN No. DRDC/ARDE/MIM/SP/051/2019.
 - 4) ALT. MATERIAL: STAINLESS STEEL WIRE ROD TO IS: 6592-1:1995, Cd. X04C171N12M02 5) HARDNESS: 32±3/75 HV.



DRN: SOURABH	DATE: 07/03/2019	APPD.	DATE: 07/03/2019	SEALD	DATE:	EST. MASS	14.45 gm	TITL:	
SIGN: <i>[Signature]</i>	DATE: 07/03/2019	CHECKED	<i>[Signature]</i>	DR. DIRECTOR					
MATERIAL:	STEEL TO IS: 5517:1993, Cd. 40Ni6Cr4Mo3	PROTECTIVE FINISH:	PHOSPHATED TO SPECN. IS: 3618-1:1966, CLASS 'B'						
BRIEF RECORD		ZONE	CD	GO					

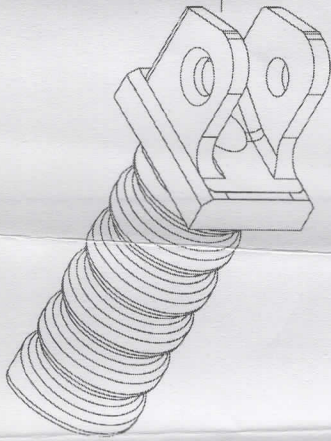
COCKING HANDLE
 SHEET 1 OF 2

DRG No.	0	2	0	4	0	3	0	4	0	1	2	0	0	1	1	2	D	A
JVTC	IC	SS	S	AA	A	AA	A	AA	A	AA	A	AA	A	AA	A	AA	A	AA
PART No.																		
DS CAT No.																		

ARDE
 PUNE 411021

1 2 3 4 5 6 7 8

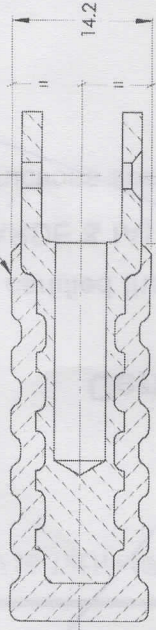
- NOTES:-**
- 1) REMOVE ALL SHARP EDGES AND BURRS.
 - 2) MATERIAL : NYLON - 6.6; REINFORCED WITH 20% LONG GLASS FIBRE Gd-ResPle1 312001 HI-HS LJBK OR EQUIVALENT.
 - 3) COLOUR TO IS 5:2007, ISC No. 698 - STEEL GREY.
 - 4) ADDITION OF PIGMENT NOT PERMITTED.



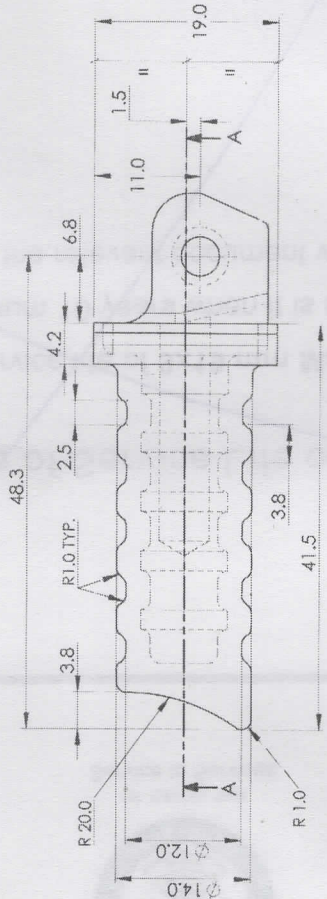
SS VV S SS IC
 V D Z Z 1 0 0 Z 1 1 0 P 0 E 0 4 0 2 0 0 N D B G

GENERAL TOL : FINE / MEDIUM / COARSE
 CLASS TO IS: 2102
 DRG. CONVENTIONS CONFORM TO INDIAN STANDARDS
 DIMENSIONS ARE IN mm UNLESS OTHERWISE STATED.

OVERMouldING



SECTION A-A
 1.0x45° BOTH SIDE



Hos/mco

16/01/23

SS

Sl. No.	DATE	AUTHORITY	BRIEF RECORD	CD	GO
DR/SOURABH	07/03/2019	<i>Sourabh</i>	MATERIAL:	ZONE	SIGN
SIGN: <i>Sourabh</i>	DATE: 07/03/2019	CHECKED	PROTECTIVE FINISH:		
APPD.	DATE: 07/03/2019	<i>Sourabh</i>			
SEALD	DATE:	DESIGN DIRECTOR			
SHEET SIZE: A3	SCALE: 2:1	EST. MASS	TITLE:		
DESIGN AUTHORITY	ARDE				
	PUNE 411021				
DRG No. 0 2 0 4 0 3	IC	SS	0 4 0 1	1 2 0 0 1	2 2 D A
JVPC PART No.			DS CAT No.	A	SST
				C	AHSP
5	6	7	8		

**COCKING HANDLE
 SHEET 2 OF 2**

A B C D E F

1

2

3

4

5

6

7

8