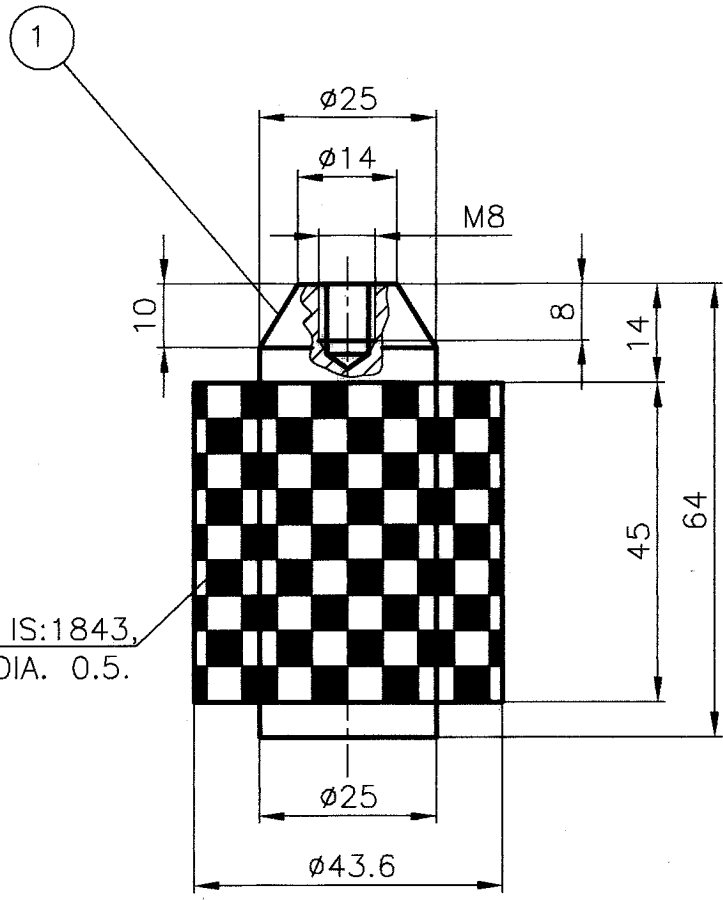


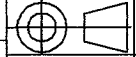
DIMENSIONS ARE IN mm.
 UNTOLERATED DIMNS. AS PER IS : 2102 (MED)
 MARK DRAWING No.



BRISTLE NYLON IS:1843,
 TYPE 2 OR 3 DIA. 0.5.

DRG. PROVISIONAL

2	BRISTLE	1	AS ABOVE		
1	MOP	1	NYLON	-	-
PART NO.	DESCRIPTIONS	NO OFF	MATERIAL	TREATMENT	REMARKS



SIGNATURE & DATE.

SUB: **BRUSH. CLEANING BARREL**

SCALE

TRACED

FOR: **TOOLS & ACCESSORIES**

NTS

DRAWN

S. Venkatesh

OF: **40 MM UGRA**

STORE DRG.NO.

CHECKED

S. Venkatesh

DES. REF. NO.

OPERATION NO.

OIC/D&DO

S. Venkatesh

DRG. No.: 30 T 1700 018 A4

OFFICER/PRODN.

OFFICER/D&DO



ORDNANCE FACTORY
 TIRUCHIRAPPALLI-16.

SHEETS: 1

AMENDMENTS SIG. & DATE

APPROVED ON. 12/2007

SHEET No.: 1