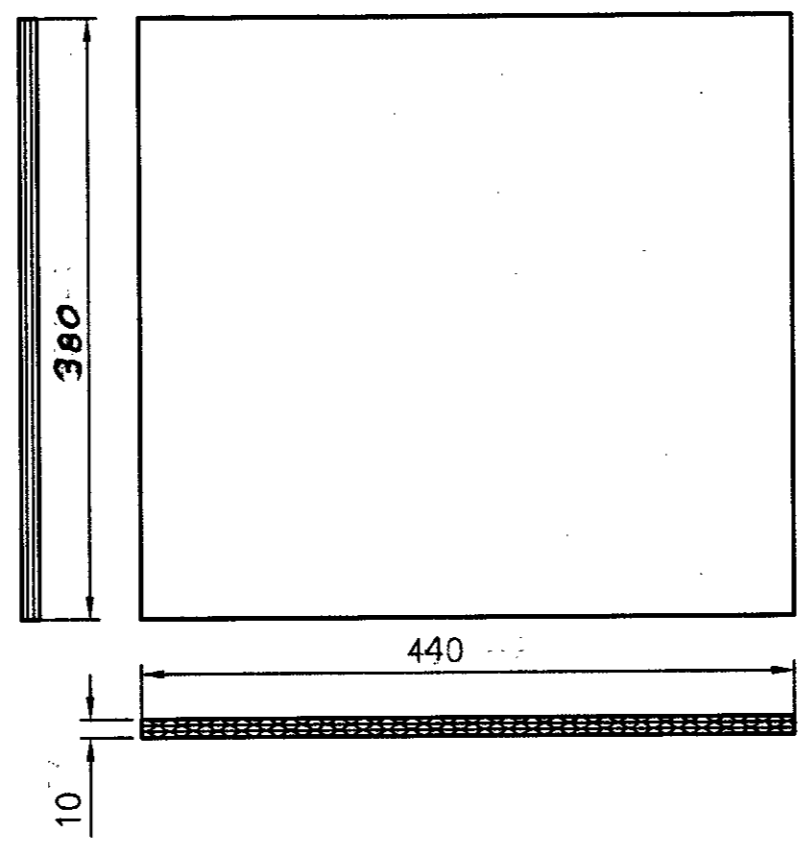
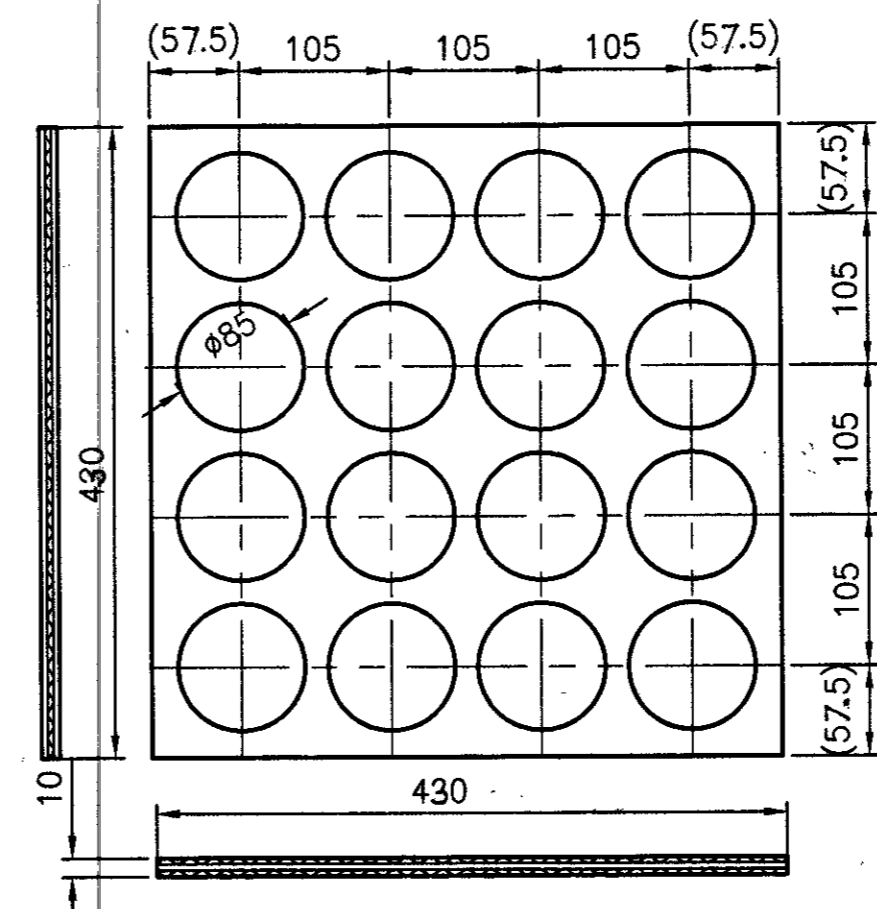


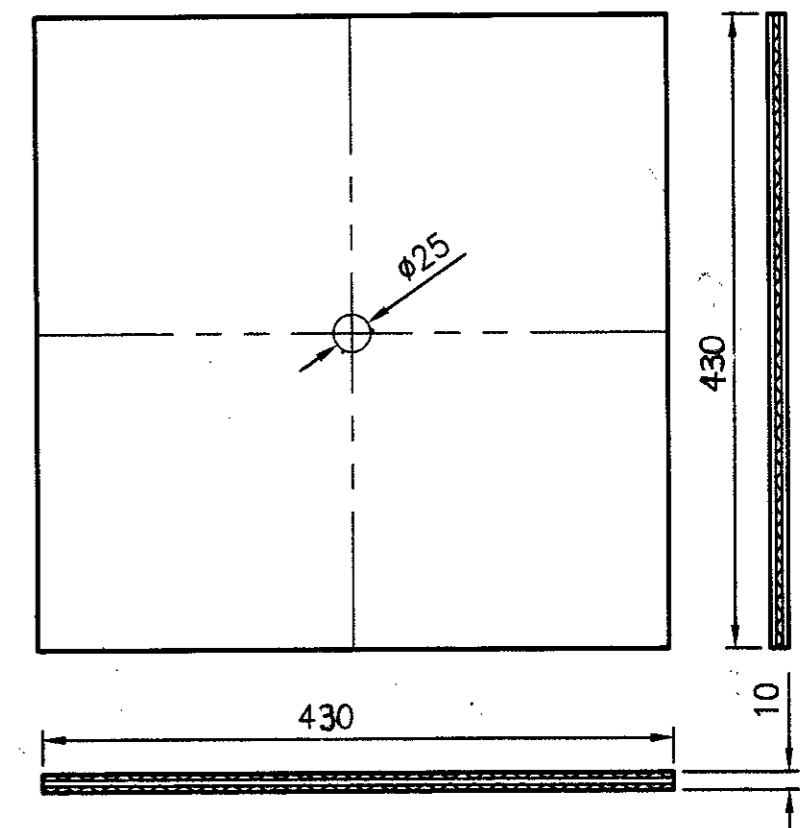
SIDE SHOCK ABSORBER ③



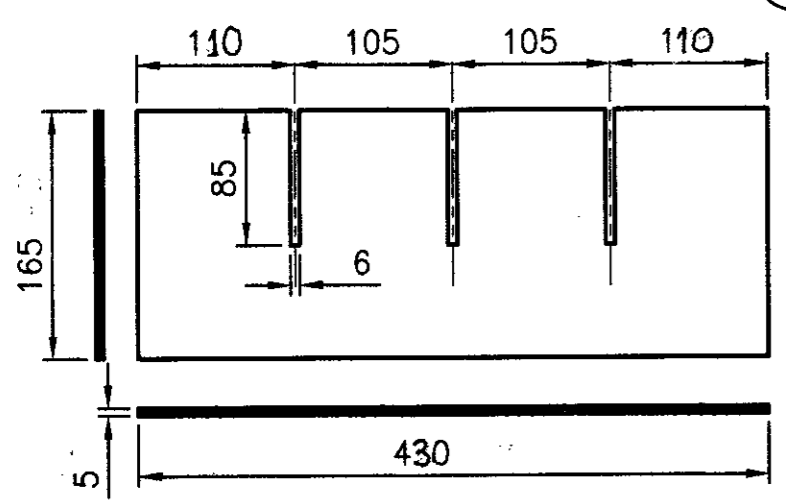
COMPONENT GUIDE ④



SHOCK ABSORBER (TOP & BOTTOM) ②



PARTITION ⑤



TO,  
THE GM  
ORD. FY. DEHURAD  
COMPT -  
FROM,  
THE SR. GM  
ORD. FY. AMBAJHARI  
BTY 32 LDT.---

FOLLOWING TO BE PRINTED  
IN 25mm LETTER HEIGHT

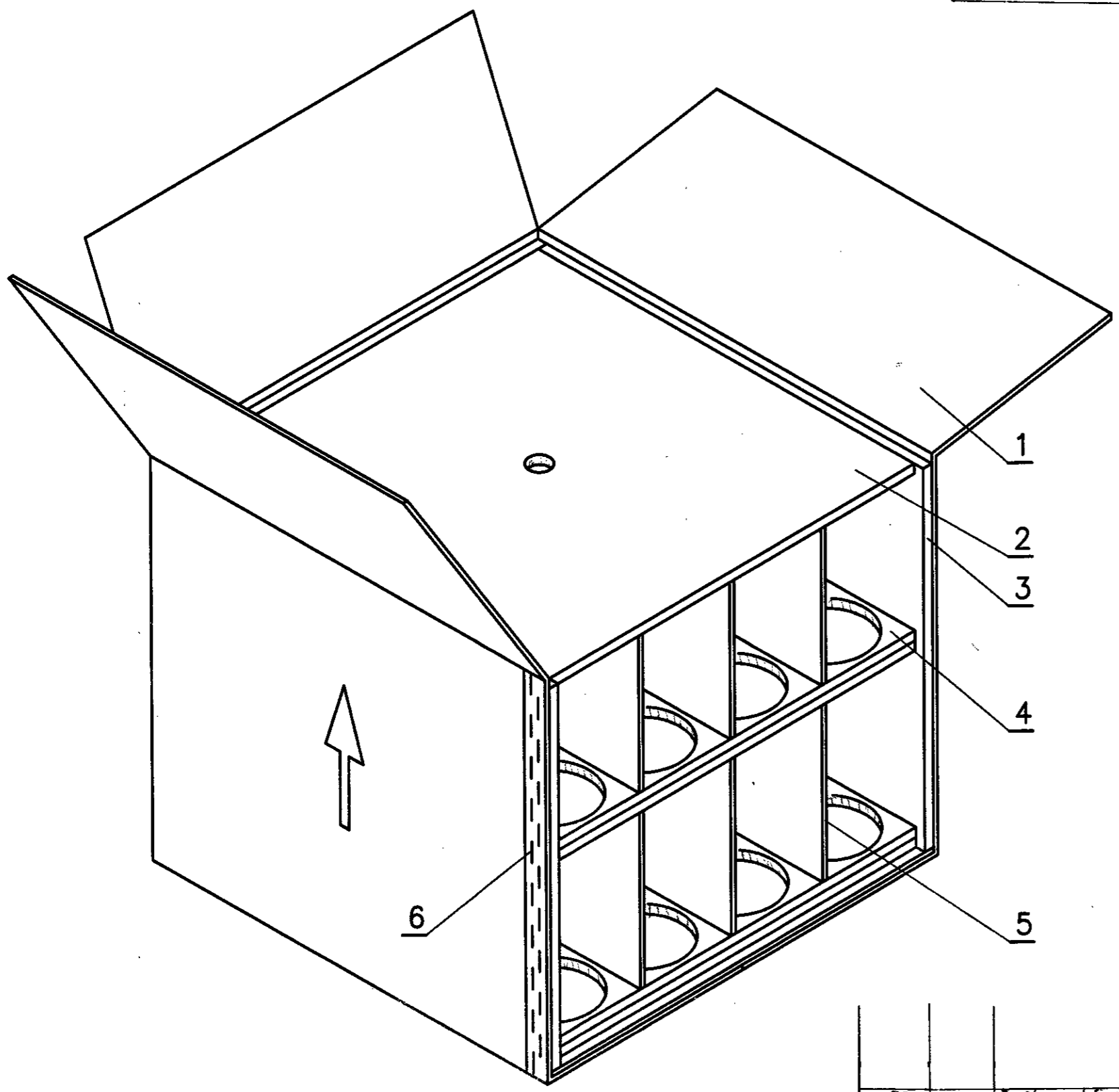
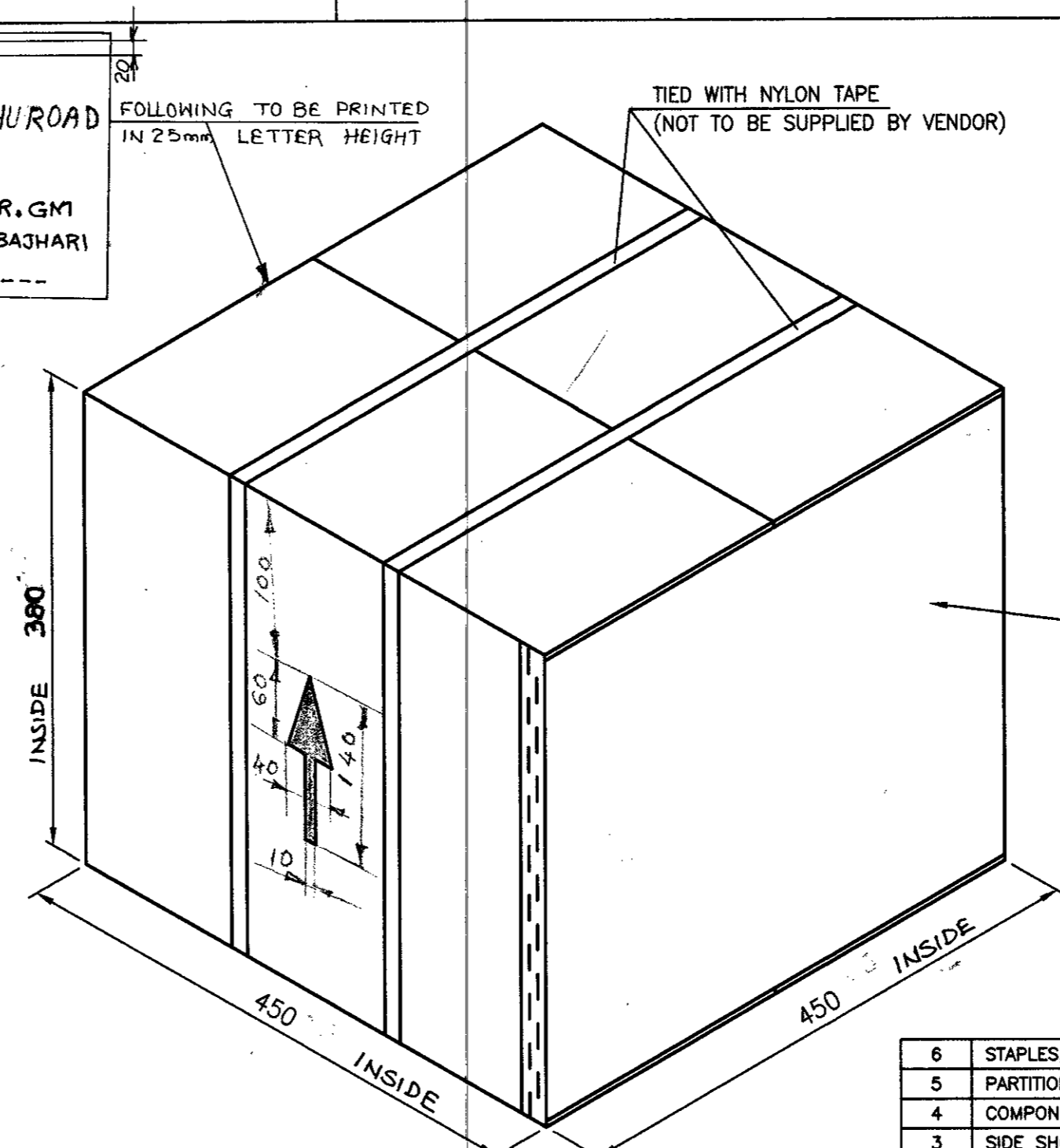
TIED WITH NYLON TAPE  
(NOT TO BE SUPPLIED BY VENDOR)

NOTE :

- PART NO. 1 & 5 : 150 GSM KRAFT PAPER, 5 PLYS, 2 WALL, VERTICAL, NARROW FLUTING 5mm THICK.
- PART NO. 2 & 4 : 120 GSM KRAFT PAPER, 9 PLYS 4 WALL, NARROW FLUTING, 10mm THICK & CROSS FLUTED ie ALTERNATE FLUTES SHOULD RUN ACROSS AS SHOWN IN DETAIL.
- PART NO. 3 : 120 GSM KRAFT PAPER, 9 PLYS 4 WALL, VERTICAL, NARROW FLUTING 10mm THICK.
- PARTS TO BE MARKED WITH THE MANUFACTURERS NAME/INITIAL OR TRADE MARK.
- GENERAL WORKMANSHIP AND FINISH SHALL BE GOOD THROUGH OUT.
- ALL PARAMETERS ARE GOVERNED BY THE SPECN. IS : 2771(Pt.I) LATEST ISSUE & SUBJECTED TO PROPER FITMENT OF ALL THE PARTS.
- EACH BOX IS TO HOLD COMPONENTS OF MASS 16kg.

FOLLOWING TO BE PRINTED  
IN 25mm LETTER HEIGHT

सेवा में,  
महाप्रबंधक  
ऑर्डनेन्स फैक्टरी देहुराड  
कम्पिन्ट  
द्वारा,  
वरिष्ठ महाप्रबंधक  
ऑर्डनेन्स फैक्टरी, अंबाजरी  
मंत्रा-32 लोट



PART	DESCRIPTION	NO. OFF	BURSTING STRENGTH	REMARKS
6	STAPLES, MS GALVANISED 12 x 3 x 0.8 THICK	AS REQD.		
5	PARTITION	12		
4	COMPONENT GUIDE	2		
3	SIDE SHOCK ABSORBER	4		
2	SHOCK ABSORBER (TOP & BOTTOM)	3		
1	BOX	1	MINIMUM 9kg/cm <sup>2</sup>	

REV.	DATE	NOMENCLATURE	SIGN.
D 135	07/09	Design Updated	
7/3/05	9.3.05	In printing to DEHURAD, 3rd KHANASIA, 3rd HINDI AVE. D/S. No. ADN. TO 'C'	
21/04	09.08.04	IN PART NO. 2 DIMS 430 <sup>2</sup> W/C 440 <sup>2</sup> IMPRINT. 3. DIMS. 430 <sup>2</sup> W/C 420 <sup>2</sup> DRG NO. ADN. TO 'B'	
14/7/04	20.5.04	Printing Matter in Hindi added	

PART LIST		ORDNANCE FACTORY AMBAJHARI	
DIMENSIONS ARE IN mm		MATERIAL: AS ABOVE	
THIRD ANGLE PROJECTION		NOMENCLATURE:	
SCALE : 1 : 2 (1 : 4)		CORRUGATED FIBREBOARD PACKING CARTON	
2002	NAME	DATE	
DRAWN		8.6.02	
TRACED			
CHECKED		10.6.02	
JWM/CDO			
WM/FS		10/1/03	
M/C: STORE:		84mm CG	
DRG. NO:		FS-2377 E	
SHEET NO:		1	
NO. OF SHEETS:		1	
OPERATION NO:		ILLUMINATING SHELL BODY (F1301-055150)	

In Nomenclature Packing Carton was Packing Box. Pkg. adv. to 'E'