

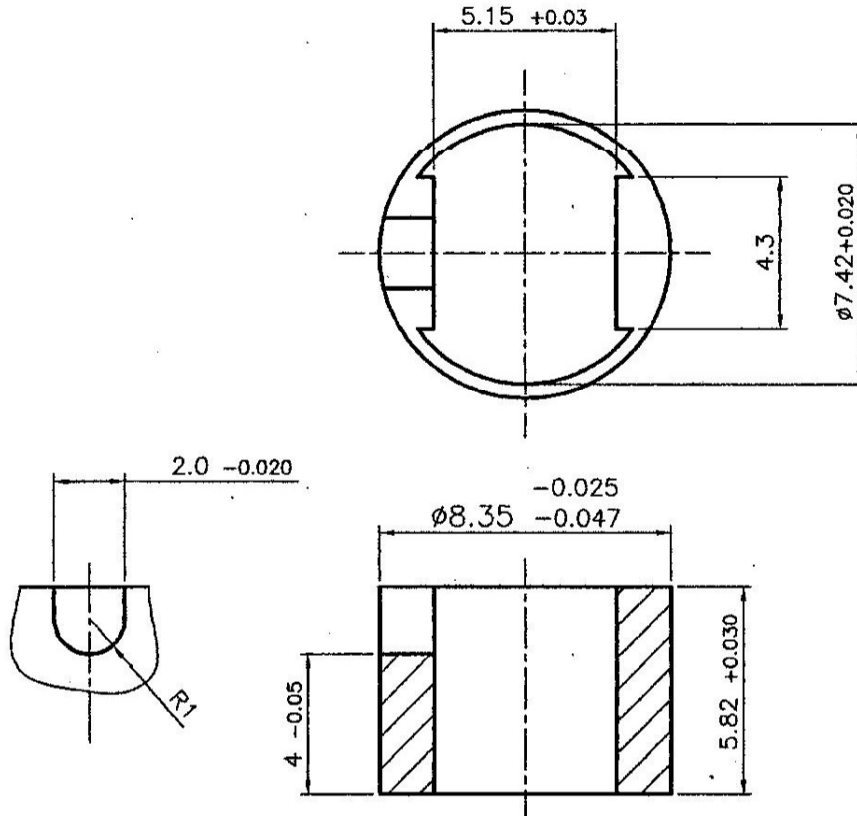
DRG. NO : **FS-2473 B**

A M E N D M E N T S

TOLERANCE ON UNTOLERATED DIMNS. ARE AS PER IS: 2102, MEDIUM CLASS

PROVISIONAL

REV.	DATE	DESCRIPTION	SIGN.
A 23/10/04	10-08-04	Material Nylon deleted & dng marked provisional.	<i>se</i> SR DIR ODC
B 190 2014	16-8-14	DELRIN® 150 was DELRIN	<i>se</i> SR DIR ODC



MATERIAL: DELRIN® 150
(ACETOL HOMOPOLYMER)
COLOUR : WHITE

FLASHES ARE NOT PERMITTED.

DIMENSIONS ARE IN mm			MATERIAL : AS ABOVE		ORDNANCE FACTORY AMBAJHARI
THIRD ANGLE PROJECTION			NOMENCLATURE : ROTOR HOLDER		
SCALE : 5 : 1					MACHINE : STORE : AMMN. 20mm AMR HEI
2004	NAME	DATE	OPERATION NO :		
DRAWN	<i>Prakash</i>	02/03/04			COMPT. : FUZE M842
REDRAWN					
CHECKED	<i>Bimal</i>	03/03/04	APPVD. JGM/R&D		
JWM/CDD	<i>Bimal</i>	03/03/04			
	<i>se</i>	03/03/09			