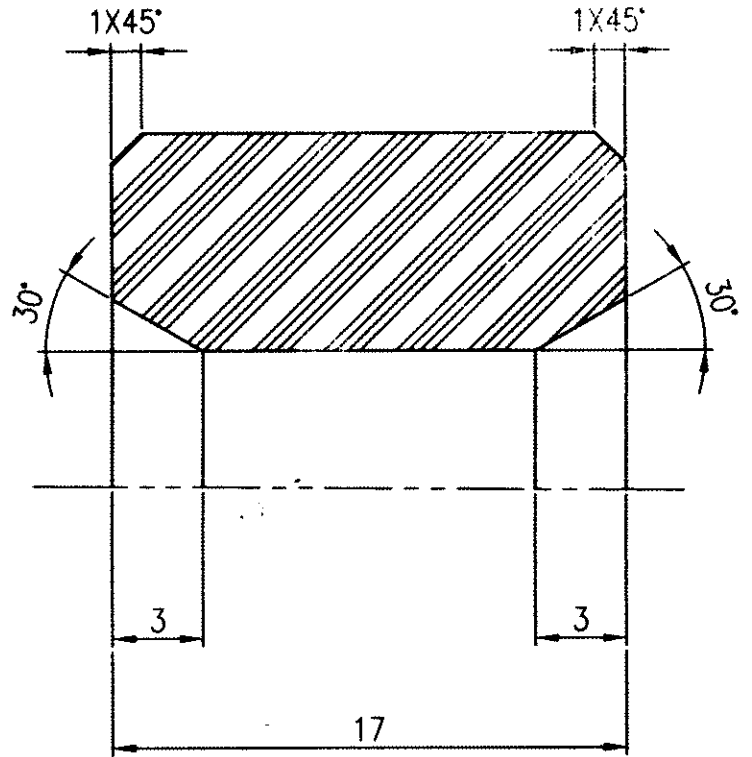
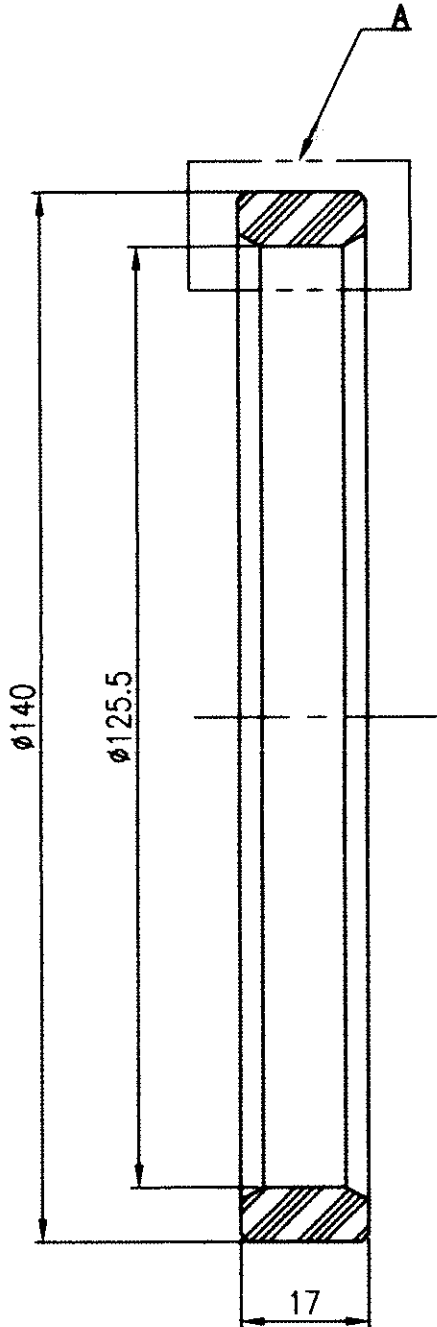


DRG. NO.- **SM-952**

AMENDMENTS			
REV	DATE	DESCRIPTION	SIGN



DETAIL OUT OF "A"  
SCALE - 4:1

MATERIAL - RUBBER TO SPECN.  
IND/ME/584(f)  
CLASS OF RUBBER - E

DIMENSIONS ARE IN mm.			MATERIAL -	AS ABOVE	<b>आर्डेन्स फैक्टरी</b> <b>अम्बाझरी</b>
THIRD ANGLE PROJECTION			NOMENCLATURE		
SCALE - 1:1 (4:1)			<b>THREAD</b> <b>PROTECTOR</b>		DRG. NO. :
2001	NAME	DATE			<b>SM-952</b>
DRAWN	<i>[Signature]</i>				SHEET NO.- 1
CHECKED	<i>[Signature]</i>	21-8-01			NO. OF SHEETS- 1
JWM/CDO	<i>[Signature]</i>	21/3	M/C -	OPN. -	
APP.V.D.	WM	<i>[Signature]</i>	STORE:	155mm M1A4	COMPT. SHELL BODY
	SM	21/3/01			