

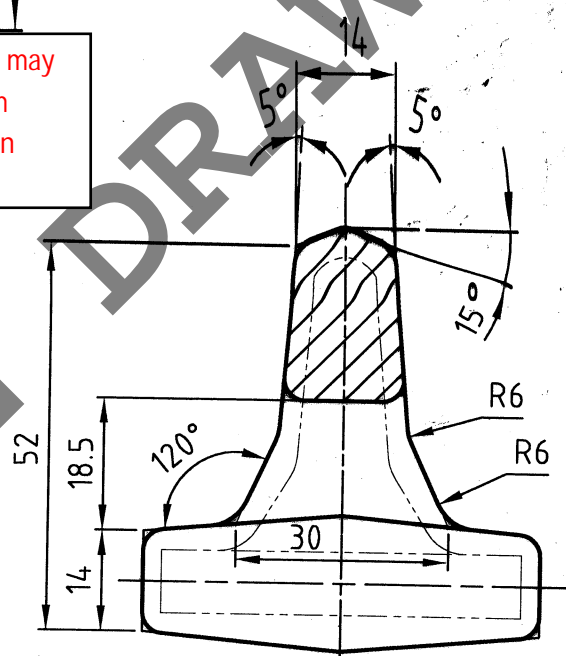
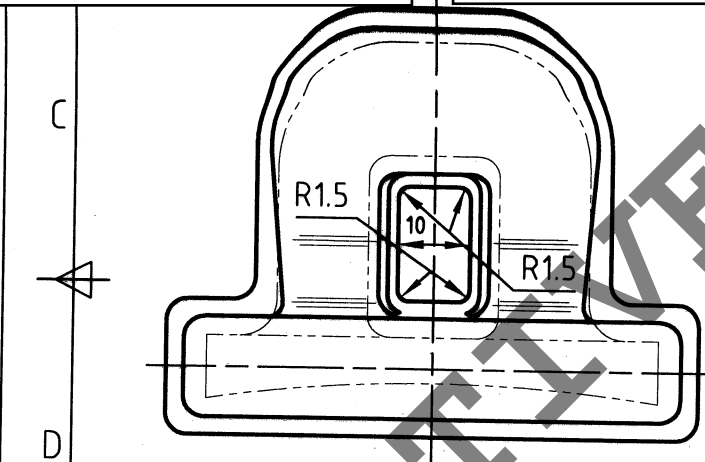
BASED ON M & S. FY.DRG. NO.D.H.S.23

UNSPECIFIED RADII- 3mm EACH
 UNSPECIFIED DRAFT ANGLE-5° EACH
 GEN. MFR TOL:- ±0.5

NOTE:-
 AFTER HEAT TREATMENT ALL LUGS
 ARE TO BE TESTED FOR HARDNESS TO
 MATERIAL SPECIFICATION BY DIAMOND
 IMPRESSION ON THE BOTTOM SURFACE.

Note:-These Drawings are only for
 reference. Actual drawings may be
 different and shall be issued at the time
 of procurement.

No part of these drawings may
 be reproduced in any form
 without prior permission in
 writing of OFM.



DGM/TS- ++SD++

O.I/C /A.A.I.W.- ++SD++

WM/IF

HOS/CDO

RE-DRAWN ON AUTO
 CAD BY H.G.SINGH ON
 DATED 06.11.11

-	-	STEEL BS:970En14A OR IS:1570 20Mn2	FORGING DRG. FOR LUG 243
I.NO.	NO.OFF	MATL.	DESCRIPTION

LIST OF PARTS

		COMPT.	STORE DRG. NO.
DATE:-		FORGING DRG. FOR LUG SUSPENSION NO. 243	
ALL DIMNS. ARE IN mm.		DRG.NO.O.F.M. 32616 A	
DT.	SIG.	DESCRIPTION	DRAWN:- H.G.SINGH
AMENDMENTS		TRCD.	M/C
		CHKD.	O.F.MURADNAGAR
			NO.OF SHTS. 1
			SHT. NO. 1