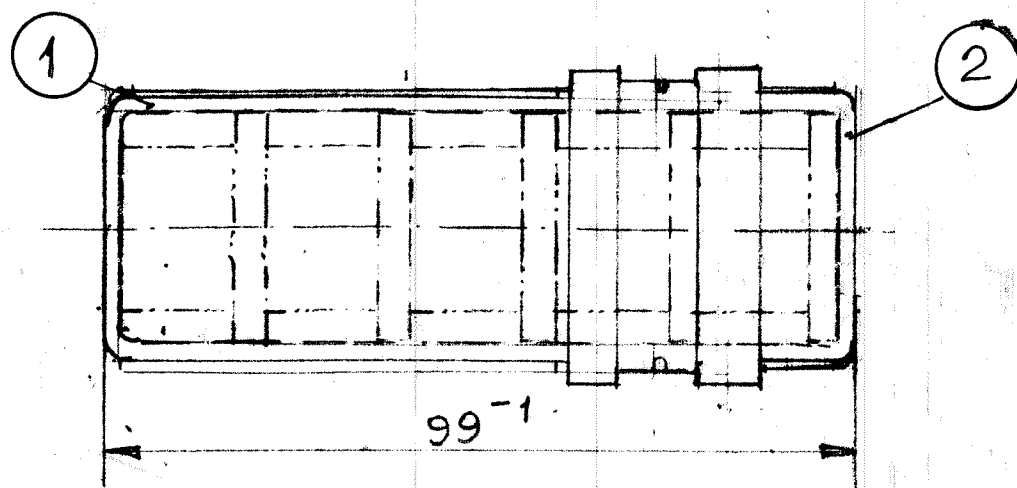
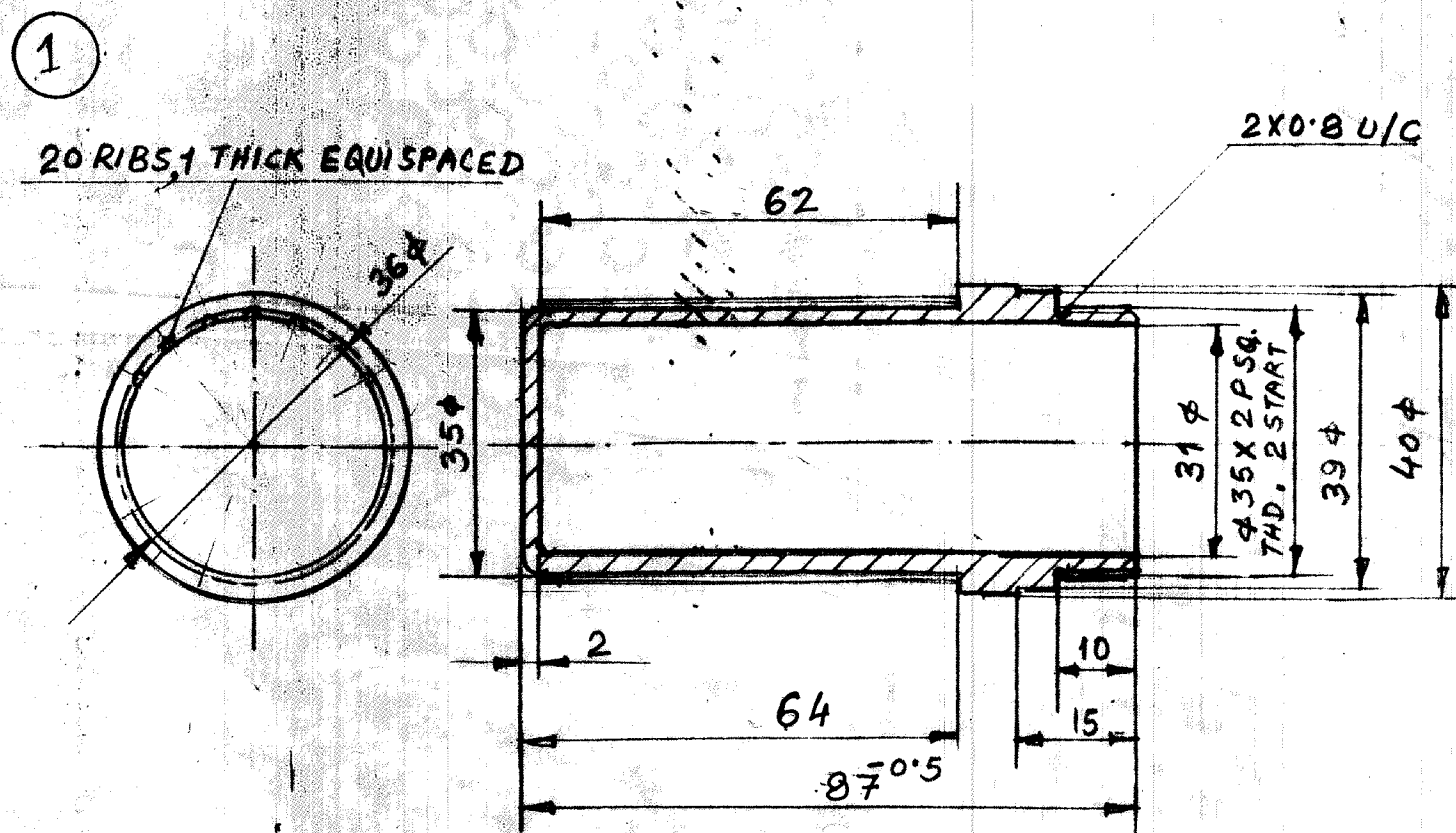
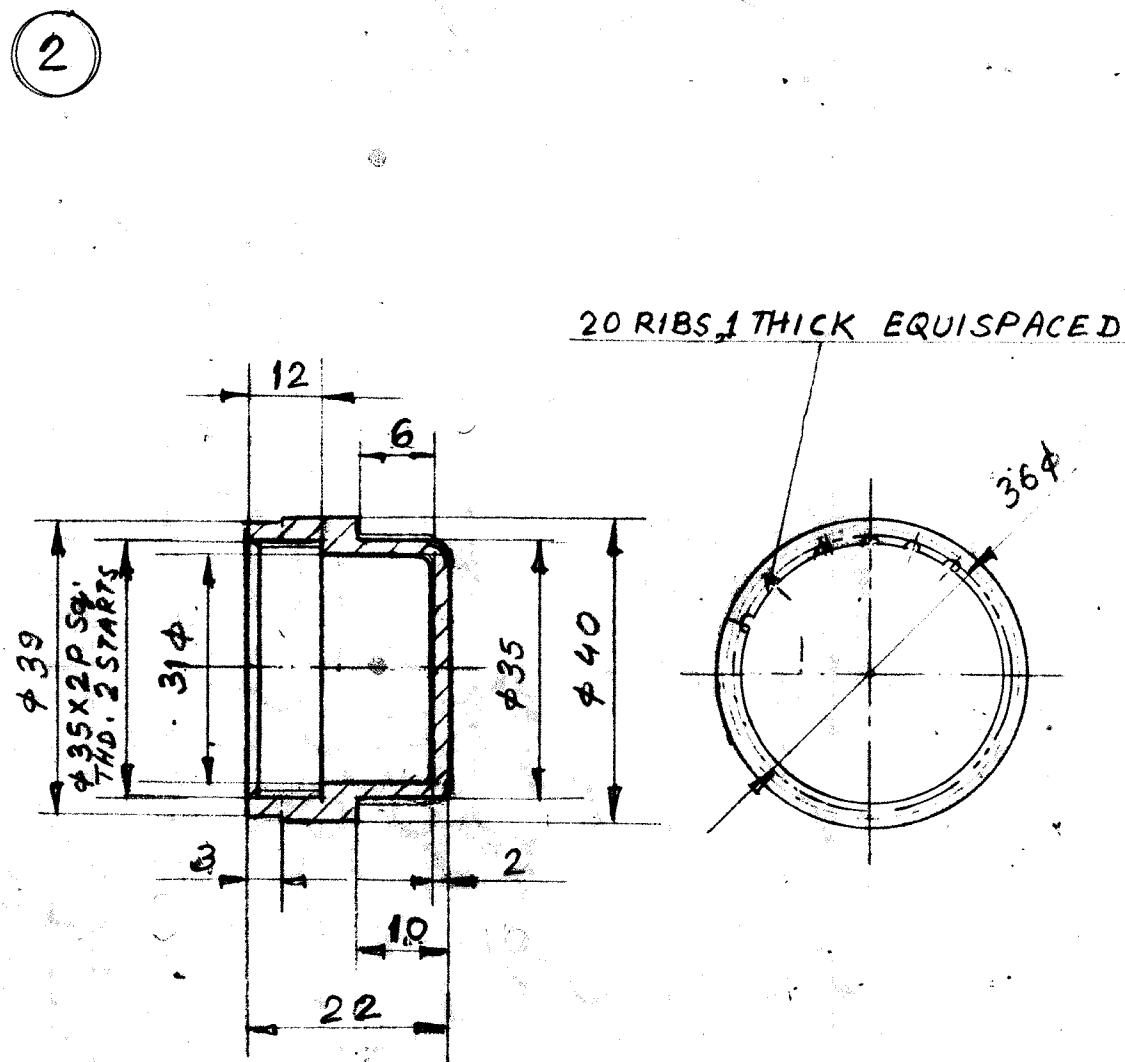


DRG. NO. **FS-2423A**

TOLERANCE ON UNTOLERATED DIMNS. ARE AS PER IS : 2102, MEDIUM CLASS.



GENERAL ARRANGEMENT.



MATL. FOR PART 1 & 2  
HDPE, TYPE 1 TO SPECN. JSS 9330-03-1995  
REVISION NO. 1 (OLIVE GREEN)

NOTE: PRODUCT SHOULD BE FREE FROM BURRS / EXTRA PROJECTED MATERIALS

PART	DESCRIPTION	NO. OF	MATERIAL	REMARKS
2	CAP	1	AS ABOVE	
1	BODY	1	AS ABOVE	

REV	DATE	DESCRIPTION	SIGN
89/04 A	2/03/04	On Part No. 1 Dim. 87, 64 & 26 were 80, 57 & 55. On Part No. 2, Dim 22, 12 & 6 were 20, 10 & 10.	JWG/RS
AMENDMENTS			

DIMENSIONS ARE IN mm.		
THIRD ANGLE PROJECTION		
SCALE: 1:1		
2003	NAME	DATE
DRAWN	Subh	11.02.03
TRACED		
CHECKED	Chor	11.03.03
JWM/CDO	Primal	12.03.03
JWG/RS	nlw	12/103

MATERIAL: AS ABOVE

NOMENCLATURE:  
PLASTIC CONTAINER  
 TO  
(HOLD 5 COMPONENTS)

MIC:  
 STORE: 125mm GUV-7

आर्म्स फॅक्टरी अम्बाहारी  
 ORDNANCE FACTORY AMBAJHARI

ड्राइंग नं. DRG. NO.:  
FS-2423A

SHEET NO.: 1

NO OF SHEETS: 1

OPERATION NO.:

COMPT.: BODY