

ITEM NO	NOMENCLATURE	DRG.NO.	QTY.	MATERIAL	SHEET SIZE
	COVER ASSY (FRONT)	OLF/R&D/RDS/001.02			A4
	COMPONENTS				
1	HOLDER	OLF/R&D/RDS/001.02.01	1	SYNTHETIC RUBBER NITRILE BLACK BA-3 RHD 51-60- TO BS 2751-56	A3
2	COVER	OLF/R&D/RDS/001.02.02	1	SYNTHETIC RUBBER NITRILE BLACK BA-3 RHD 51-60- TO BS 2751-56	A4
3	COLLER PIN	OLF/R&D/RDS/001.02.03	02	ST. STEEL IS 6603 : 2001 Gr X 20 Cr 13	A4
4	TORSION SPRING	OLF/R&D/RDS/001.02.04	02	X 07 Cr 18 Ni 9 IS 5544 (Pt-4) : 2001	A4

270918

व्यापार हेतु
FOR TRADE ONLY

UN CONTROLLED COPY
CERTIFIED CORRECT COPY OF APPROVED
DRAWINGS AT THIS DATE: 26/4/22
DESIGN & DRAWING OFFICE,
ORDNANCE FACTORY, TIRUCHIRAPPALI - 620 016.

OLD NO. 033000

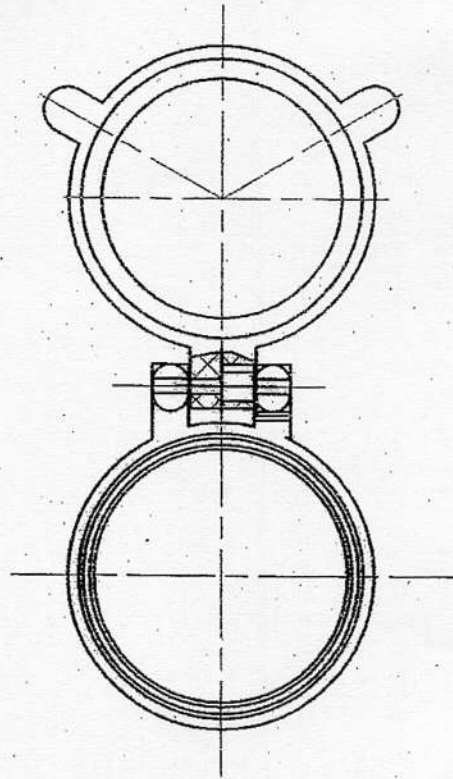
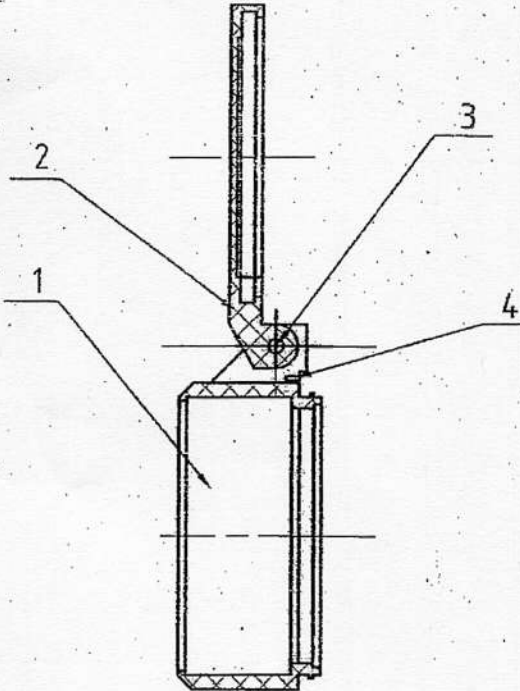
		COMPT. No.		ASSY. DRG.		OPTO ELECTRONICS FACTORY DEHRADUN				
				RED DOT SIGHT		TITLE COVER ASSY. (FRONT)				
		2007	GEN. TOL. IS 2102-m (Pt.-1)			REF. M				
		DRAWN	Ag	16/4						
		CHECKED	[Signature]		16.4					
		HDS	[Signature]		16.4					
		NAME		DATE		DRG.No. OLF/R&D/RDS/001.02				
D.A.No.	DT./SIGN	DESCRIPTION		AWM/ R&D	[Signature]	M/Yr.	SCALE: 1:1			
AMENDMENTS				APPROVED				SHTS. 06		SHT. No. 01

MATERIAL: —

TREATMENT —

SURFACE FINISH:

PROTECTIVE FINISH: —



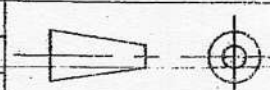
270.918
 व्यापार हेतु
 FOR TRADE ONLY

UN CONTROLLED COPY
 CERTIFIED CORRECT COPY OF APPROVED
 DRAWINGS AT THIS DATE 26/4/22

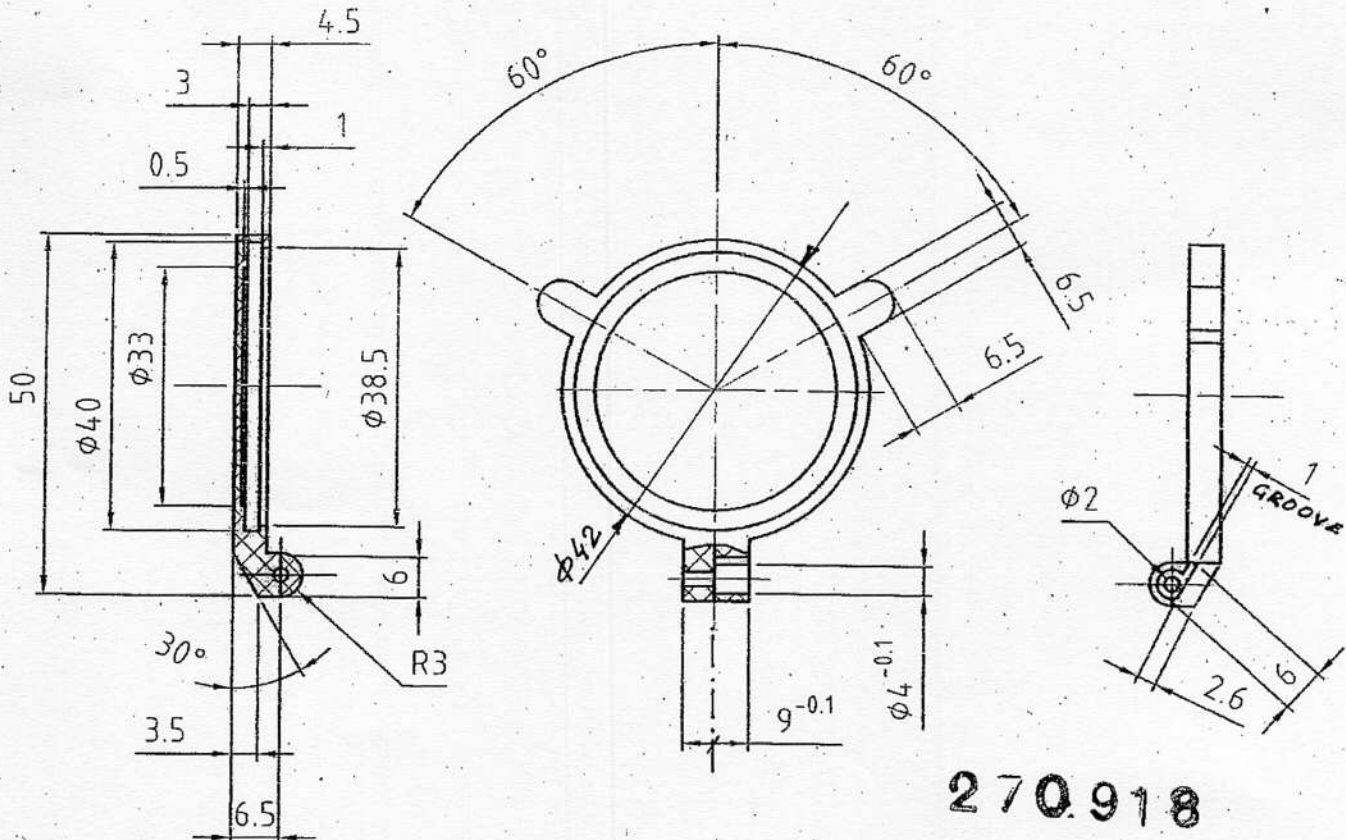
DESIGN & DRAWING OFFICE,
 ORDNANCE FACTORY, TIRUCHIRAPPALI - 620 016.

OLD NO. 033000

		COMPT. No.		ASSY. DRG.		OPTO ELECTRONICS FACTORY DEHRADUN	
				RED DOT SIGHT			
		2007	GEN. TOL. IS 2102-m (Pt.-1)		TITLE		
		DRAWN	<i>Am</i>	16/4	COVER ASSY. (FRONT)		
		CHECKED	<i>ST/Dr mu</i>	16.4.	REF. / M		
		HOS.	<i>ST/Dr mu</i>	16.4.	DRG.No.OLF/R&D/RDS/001.02		
		NAME		DATE			
D.A.No.	DT./SIGN	DESCRIPTION		AWM/ R&D	<i>Am</i>	M/Yr.	SCALE: 1:1
AMENDMENTS				APPROVED		SHTS. 06 SHT. No. 02	



MATERIAL: - SYNTHETIC RUBBER NITRILE BLACK BA-3 RHD 51-60 TO BS: 2751-56	TREATMENT - _____
SURFACE FINISH: ∇	PROTECTIVE FINISH: - _____



270.918

व्यापार हेतु
FOR TRADE ONLY

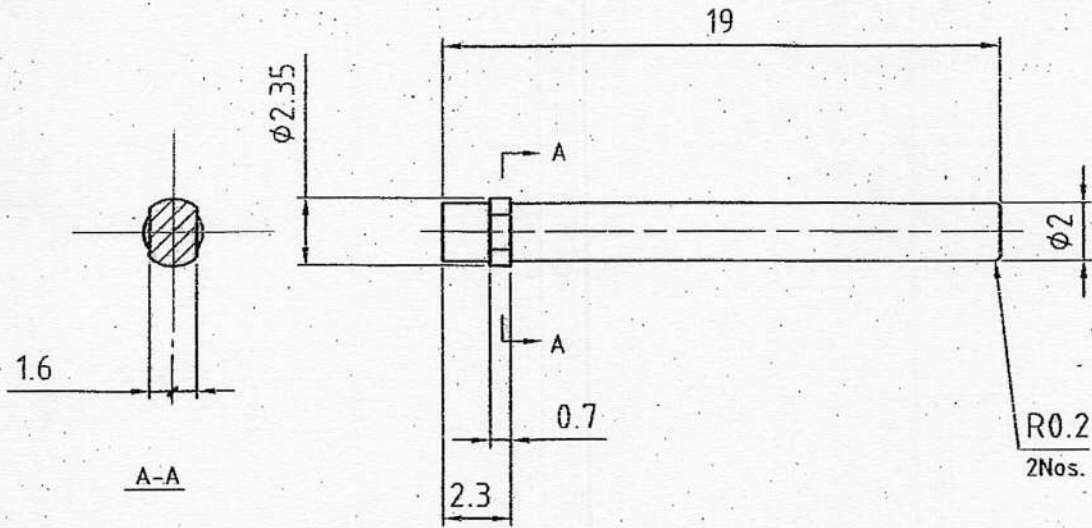
QTY:-01

UN CONTROLLED COPY
CERTIFIED CORRECT COPY OF APPROVED
DRAWINGS AT THIS DATE: 26/4/22
DESIGN & DRAWING OFFICE,
ORDNANCE FACTORY, TIRUCHIRAPPALI-620 016.

OLD NO. 033002

ITEM	DESCRIPTION	No. OFF	MATERIAL	REMARKS
LIST OF PARTS				
COMPT. No.	ASSY. DRG.	OPTO ELECTRONICS FACTORY DEHRADUN		
2007	GEN. TOL. IS 2102-m (Pt.-1)	TITLE		
DRAWN	<i>As</i>	16/4	<u>COVER</u>	
CHECKED	<i>[Signature]</i>	16-4	REF.	
HOS	<i>[Signature]</i>	16-4	M	
NAME		DATE	DRG.No. OLF/R&D/RDS/001.02.02	
D.A.No.	DT./SIGN	DESCRIPTION	AWM/ R&D	M/Yr.
AMENDMENTS			<i>[Signature]</i>	4/07
			APPROVED	
			SCALE: 1:1	
			SHTS. 06	SHT. No. 04

MATERIAL: - ST. STEEL IS 6603 : 2001 Gr X 20 Cr 13	TREATMENT -
SURFACE FINISH: ▽	PROTECTIVE FINISH :-



270.918

व्यापार हेतु
FOR TRADE ONLY

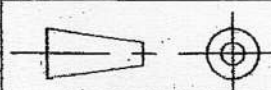
UN CONTROLLED COPY
CERTIFIED CORRECT COPY OF APPROVED
DRAWINGS AT THIS DATE 26/4/22

DESIGN & DRAWING OFFICE,
ARMANCE FACTORY, TIRUCHIRAPPALI - 620 016.

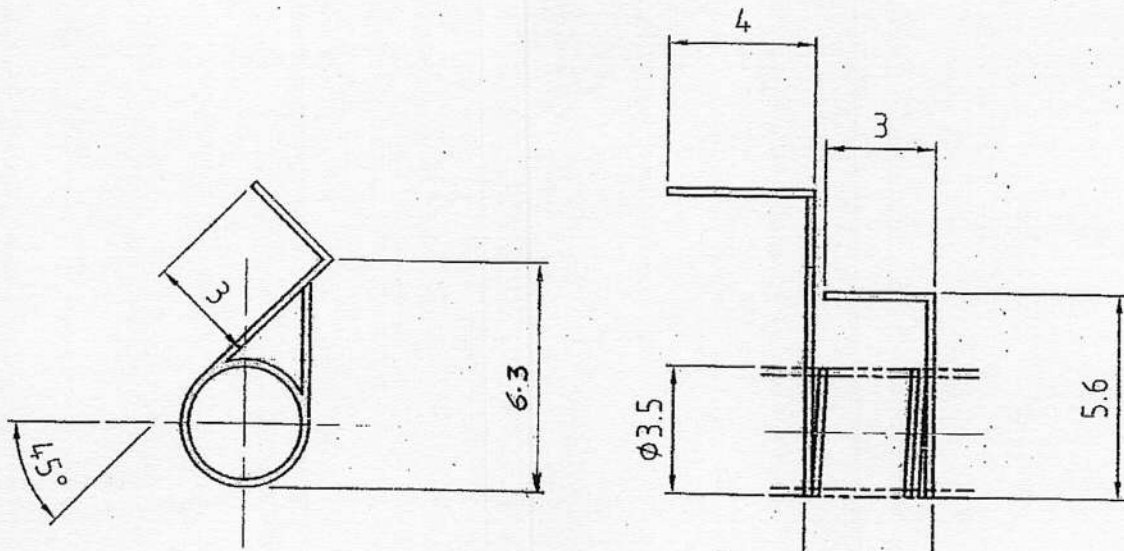
QTY-2

OLD NO. 033003

ITEM	DESCRIPTION	No. OFF	MATERIAL	REMARKS
LIST OF PARTS				
COMPT. No.	ASSY. DRG.	OPTO ELECTRONICS FACTORY DEHRADUN		
	RED DOT SIGHT			
2007	GEN. TOL. IS 2102-m (Pt.-1)	TITLE COLLER PIN		
DRAWN	<i>AW</i>	16-4		
CHECKED	<i>AW</i>	16-4		
HOS	<i>AW</i>	16-4	REF. M	
	NAME	DATE	DRG.No. OLF/R&D/RDS/001.02.03	
D.A.No.	DT./SIGN	DESCRIPTION	AWM/ R&D	M/Yr. 4/07
AMENDMENTS			APPROVED	
			SCALE: 4:1	
			SHTS. 06 SHT. No. 05	



MATERIAL: - X 07 Cr 18 Ni 9 (Gr.1) IS:4454(Pt-1):2001	TREATMENT -
SURFACE FINISH:	PROTECTIVE FINISH :-



WIRE ϕ 0.5
No. OF COILS - 7

UN CONTROLLED COPY
CERTIFIED CORRECT COPY OF APPROVED
DRAWINGS AT THIS DATE 26/4/22
DESIGN & DRAWING OFFICE,
ORDNANCE FACTORY, TIRUCHIRAPPALI - 620 016.

270918
व्यापार हेतु
FOR TRADE ONLY

- (i) ALTT. MATERIAL :- SPRING STEEL WIRE Gr. SM IS: 4454 (Pt-I) 2001.
- (ii) COATING :- ZINC PLATING

QTY-02

OLD NO. 033004

ITEM	DESCRIPTION	No. OFF	MATERIAL	REMARKS
LIST OF PARTS				
COMPT. No.	ASSY. DRG.	OPTO ELECTRONICS FACTORY DEHRADUN		
2007	GEN. TOL. IS 2102-m (Pt.-1)	TITLE		
DRAWN	AKR	16-4	<u>TORSION SPRING</u>	
CHECKED	[Signature]	16-4	REF.	
HOS	[Signature]	16-4	M 1	
NAME		DATE	DRG.No. OLF/R&D/RDS/001.02.04	
AWM/R&D		M/Yr.	SCALE: 5:1	
APPROVED		4/07	SHTS. 06 SHT. No. 06	

D.A.No.	DT./SIGN	DESCRIPTION
22 DO/DA/94/15	JEGM/QC 21.7.2015	ALTT. MATERIALS & COATING ADDED
AMENDMENTS		