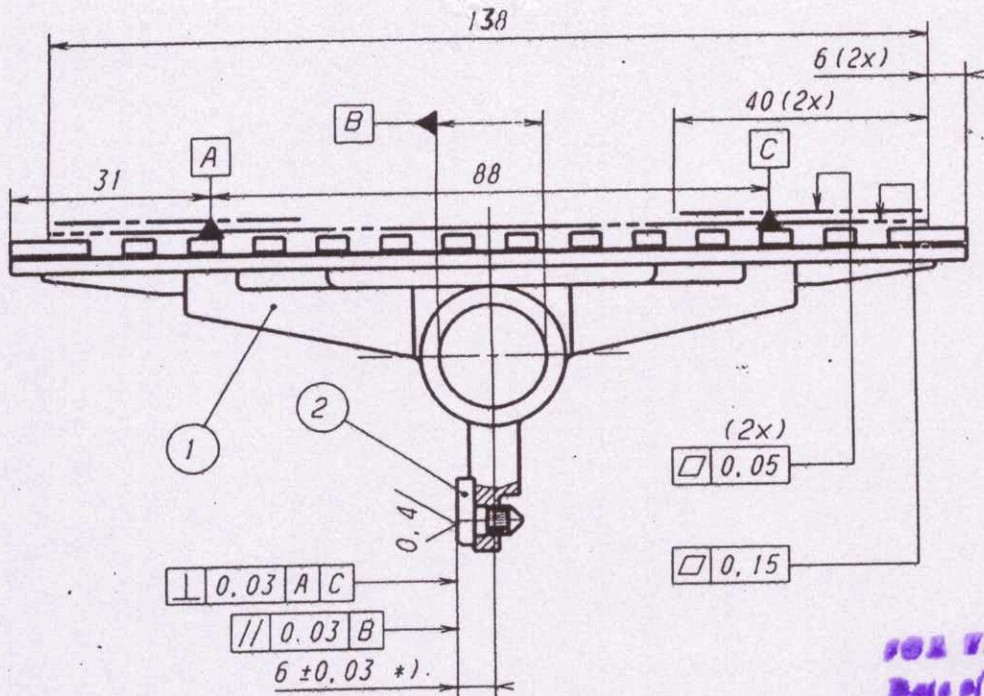


TELESCOPE SIGHT FOR 84mm CARL GUSTAV MKIII
TELESCOPE RAIL ASSY.

REG NS 1303-02 8250

TITLE OF	OPERATION
----------	-----------

FIRST ANGLE PROJECTION



FOR TRADE ONLY
Date of Issue 14/12/2010
Raj

1) Tol ±0.05 / efter värme- och ytlbehandling
after heat and surface treatment

Nitrokarburerad / FZ min 12 µm max 20 µm
Nitrocarburized

Oxidationsbehandlad
Oxidation-treated

1	Platta för hållare Curve plate	GF 125164	MCT-2292/1
1	Skena för kikare Telescope rail	F1303-028231	→ MCT-2291

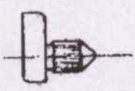
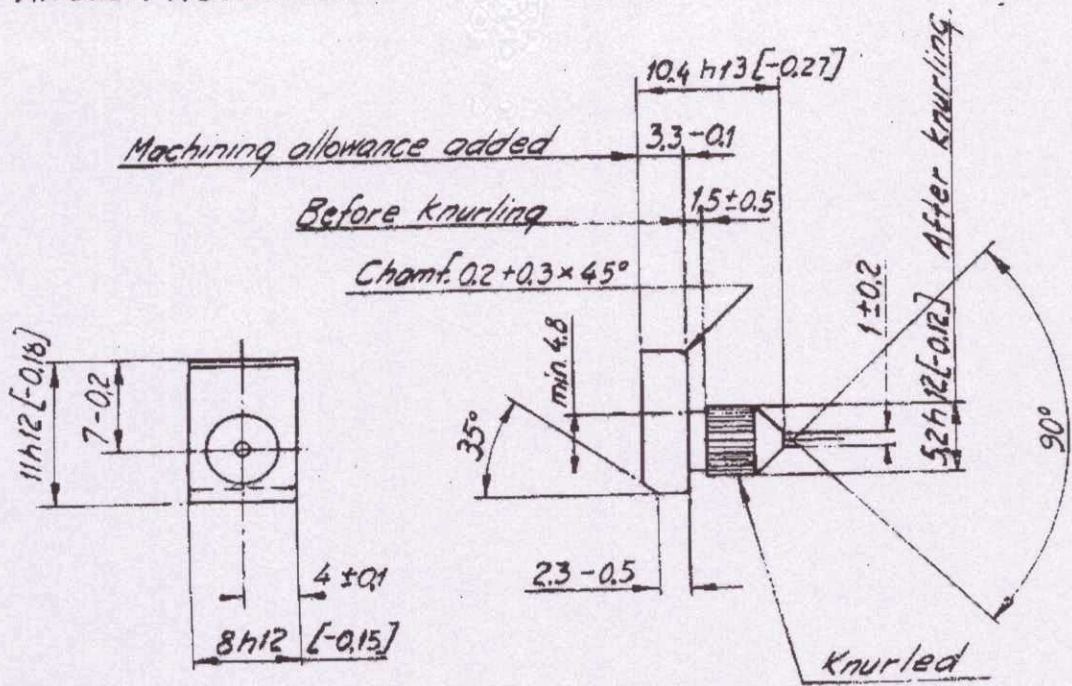
ORDNANCE FACTORY, DEHRADUN

		DR- <i>S.K. Thapliya</i>	DR-21-8-06	SCALE=1:1
		TR-	MATL.	TREAT.
		CH- <i>@hondam</i>	SHEETS	SHT. N°
AMENDMENTS		APPROVED <i>[Signature]</i>	DRAWING N°	
OFD/DO/002		<i>Fisw</i> i/c DO	DGMIP	MCT-2313

TELESCOPE SIGHT FOR 84mm CARL GUSTAV MK-III CURVE PLATE

DGR. No
GF 125164

FIRST ANGLE PROJECTION



Scale 1:1

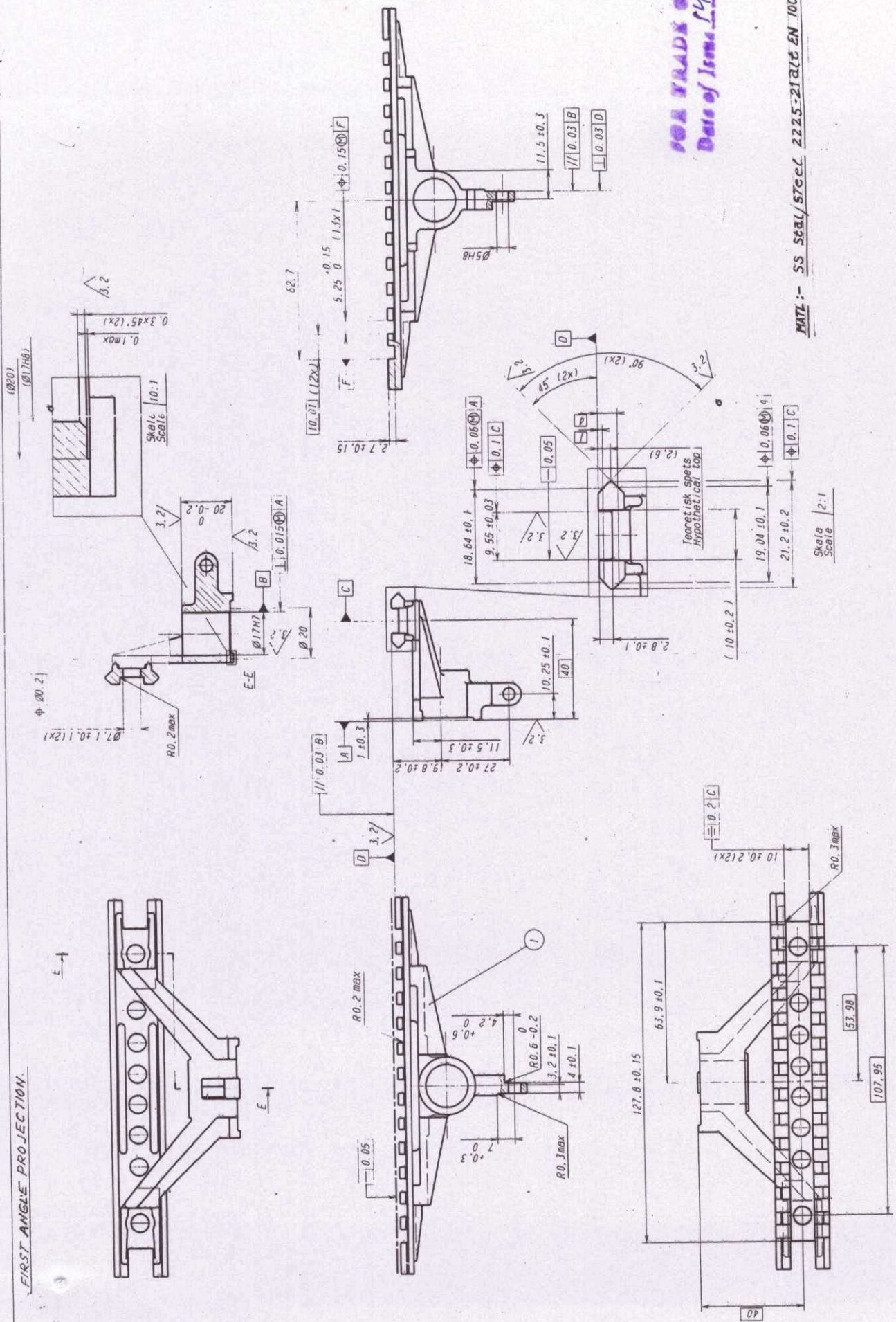
FOR TRADE ODM
Date of Issue 14/11/2010
Rij

ORDNANCE FACTORY, DEHRADUN

NTAL PRODUKT 1
 ATERIALKVALITE 15: 5517-93 STEEL DESIGN 50 Gx 4 V2
 ARMBEHANDLING: Hardened and tempered to $R_c = 45-50$
 BESKAFFENHET $\sqrt{25}$
 BEHANDLING: Manganese-phosphatized and greased to $\theta F 1003064$
 RADNING: ENL FFV 56
 GESMÄTT: ENL 55-150 1101
 ARKNING: —
 KN. BESTAMMELSER: —

		Dt.	SCALE= 2:1
	DR-SRThapleyn	MATL	TREAT.
	TR-		
DANS 21/2014 Dt. 27/10/14	CH-Offhandlarn	SHEETS	SHT. No
AMENDMENTS	APPROVED	DRAWING No	
OFD/DO/002	cfosw 11CDO	DGM/P	MCT/2292/1

FIRST ANGLE PROJECTION.

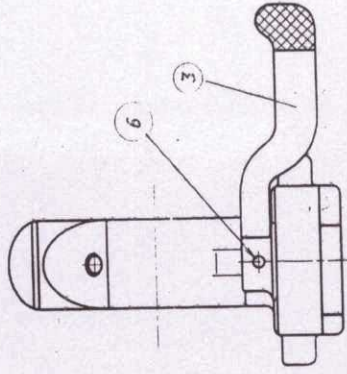
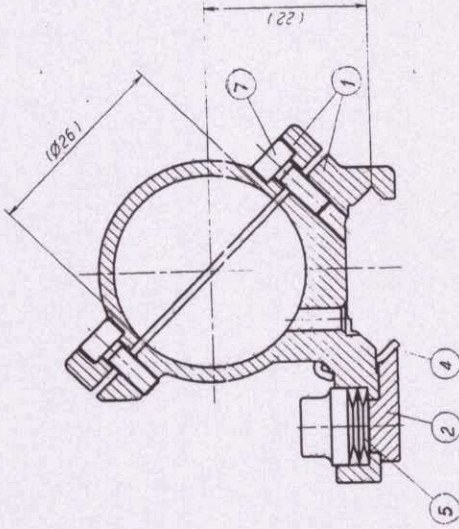
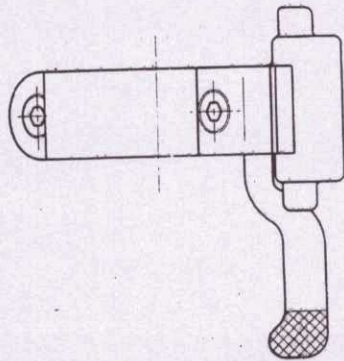


FOR TRADE ONLY
Date of Issue 14/12/2010
Ref.

MATERIAL: SS SEAL/STEEL 2225-2121E EN 10083-1-1. 7218-N

ORD. FY DEHRA-DUN	DR: SK Popliyan	SCALE 1:1
	TR: CH: APPROVED	MATL AS ABOVE
1/1/2010 1/1/2010	AMENDMENTS	TREAT
	DGM/JP	SHT. NO
	DRG. NO 1303-02B231	MCT-2291
	TELESCOPE RAIL	
	TELESCOPE SIGHT FOR 84MM CARL GUSTAV MK-III	

FIRST ANGLE PROJECTION



7	2	Sexkantskruv M3x8-8.8 Hexagon socket head cap screw M3x8-8.8	SS-150 4762	Svartoxiderad Alkaline blackened
6	1	Pinne Spring pin 1,5x8-A-St	SS-150 8752	Svartoxiderad Alkaline blackened
5	4	Tellriksfjäder Disc spring B-10-1	SMS 2313	Svartoxiderad Alkaline blackened
4	1	Mellanlägg PBD	F1303-029510 MCT-2296/L	
3	1	Arm Lever	F1303-029500 MCT-2295	
2	1	Fot. frame Foot. front	F1303-029480 MCT-2293	
1	1	Fäste för kikare Telescope bracket	F1303-029430 MCT-2294/L	

FOR TRADE USE
Date of Issue: 14/12/2010
Rg

DT25-8-06	MATL	TREAT	SCALE 2:1
	SHEETS	SHT No	
	DRAWING No		
	MCT-2314		

TELESCOPE SIGHT FOR 84 mm CARL GASTAV MK-III
TELESCOPE BRACKET FRONT

ORD. FY.	DR. No.	TR.	CH. <i>Chandra</i>	APPROVED	DGM/P
DEHRADUN					

DRG No F1503-028270E

TELESCOPE SIGHT FOR 84 mm CARL GUSTAV

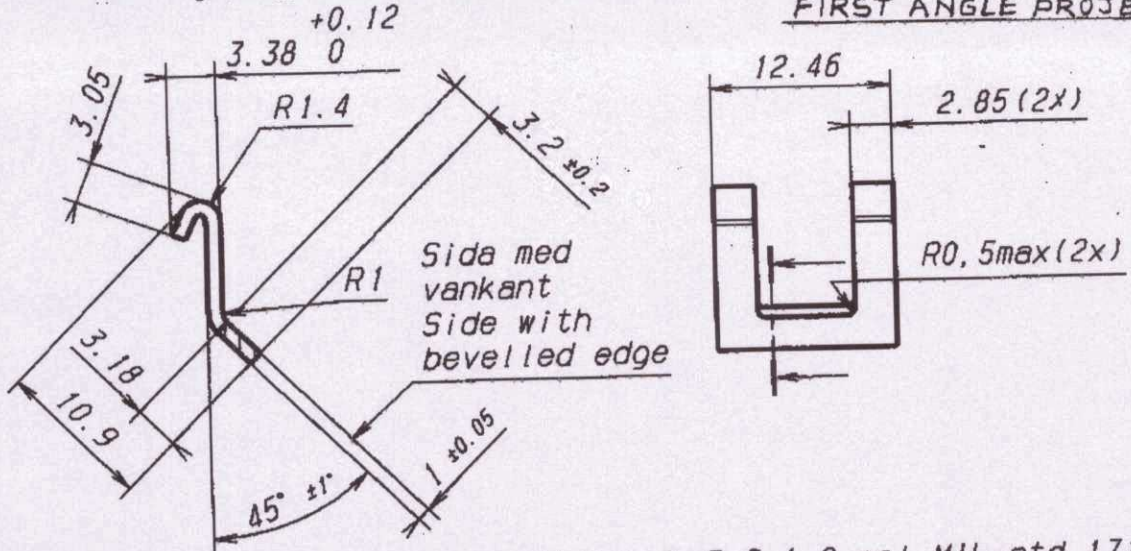
MK-III

DRGN#

F1303-029510C

PAD

FIRST ANGLE PROJECTION



Slutlig ytskyddsbehandling: Ytfinhet 5.3.1.2 enl MIL-std 171.

MIL-W-13855 g/ller

Material: Kolstål med låg kolhalt enl ASTM A109

Sätthårdning 0,12-0,25 totaldjup

Värmebehandling till 40-45 RC, min djup 0,1

Final protective finish: Finish 5.3.1.2 of MIL-std 171.

MIL-W-13855 applies

Material: Low carbon steel per ASTM A109

Case harden 0,12-0,25 total depth

Heat treat to 40-45 RC to a min depth of 0,1

Alt vid egen tillverkning

Alt for in-house production

Härdad enl | 400-460 HV1

Hardened to

Manganfosfaterad enl

Manganeze phosphatized to | Gf 1.003.064

MATL.:- IS: 2507-75, STEEL DESIGN 70 C6

OR BS: 1449-83 Pt-1 Gde 70'CS'

WITH RESTRICTION % P = 0.025 MAX. (EACH)

FOR TRADE COPY

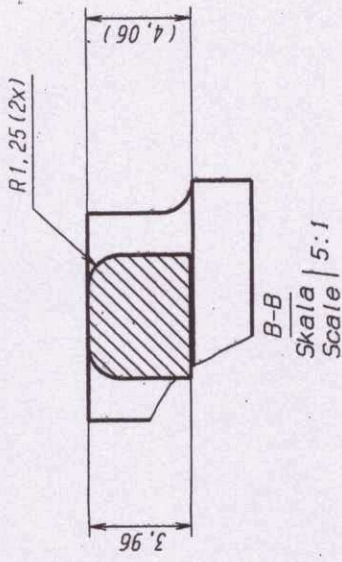
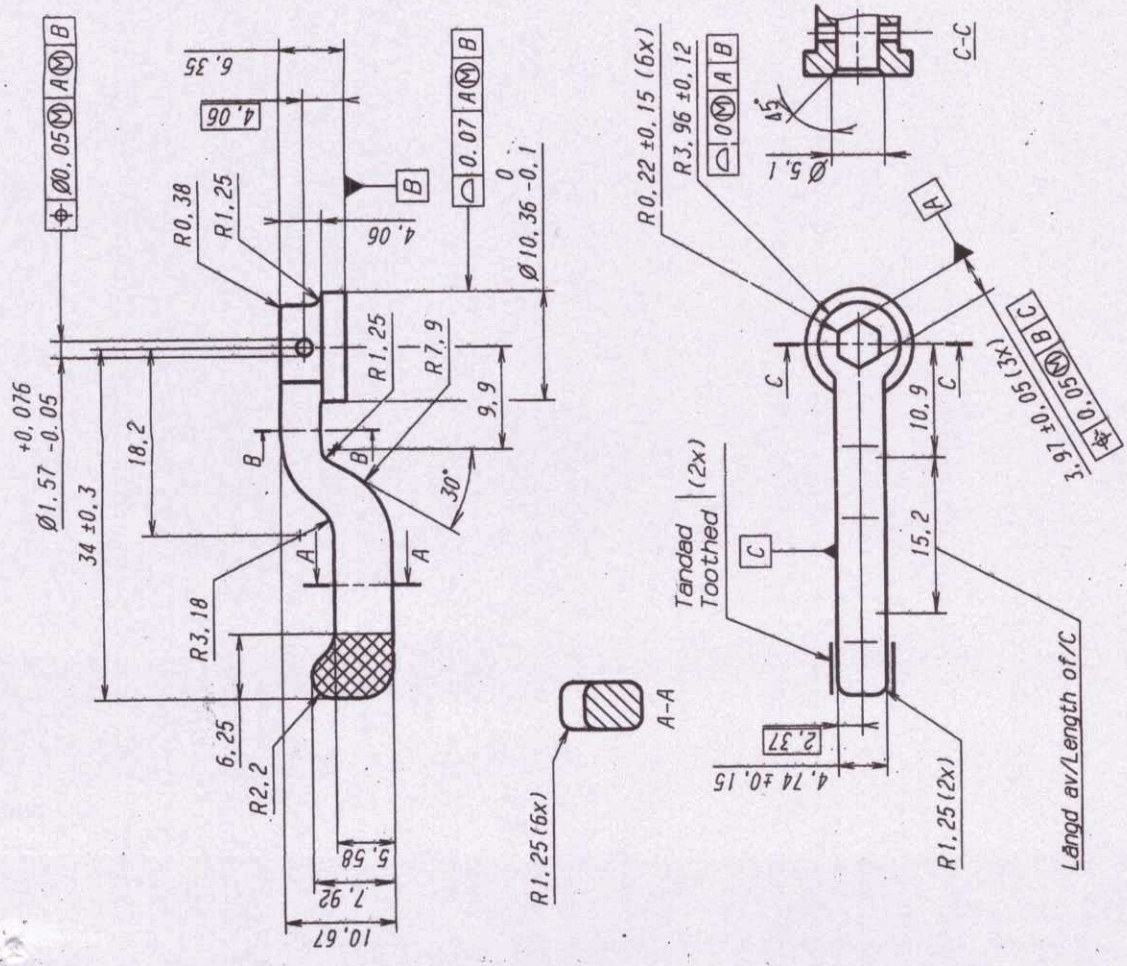
Date of Issue 14/12/2014

Rg

ORDNANCE FACTORY DEHRADUN.

		DT.	SCALE 2:1
	DR-SK Thepliyen	MATL.	TREAT.
	TR-	-	-
	CH-	SHEETS.	SHT. No
DA No 2112014 Dt 27/10/14	APPROVED	DRAWING No	
AMENDMENTS OF D/D/0/002	Boash I/C D.O.	DGM/P	MCT-2296/1

FIRST ANGLE PROJECTION



Värmebehandling till Rockwell C32-38 (IC4140 gälller)
 Slutlig ytskyddsbehandling: Ytfinhet punkt 5.3.1.2 ent MIL-STD 171.
 MIL-V-13855 och Ansi Y14.5-1973 gälller
 Häikäl 0.4+0.4 mm om ej annat anges
 Alt. material: MIM 4650, densitet 7.4 g/cm³ min
 Värmebehandling till 79-84 HR 15N
 Leverantör A.R.M.S., INC art.nr 7801

Heat treat to Rockwell C32-38 (IC4140 only)
 Final protective finish: Finish para 5.3.1.2 of MIL-STD 171.
 MIL-V-13855 and Ansi Y14.5-1973 apply
 Fillets 0.4+0.4mm unless otherwise specified
 Alt material: MIM 4650, density 7.4 gm/cc min
 Heat treat to 79-84 HR 15N
 Supplier A.R.M.S., INC art No. 7801

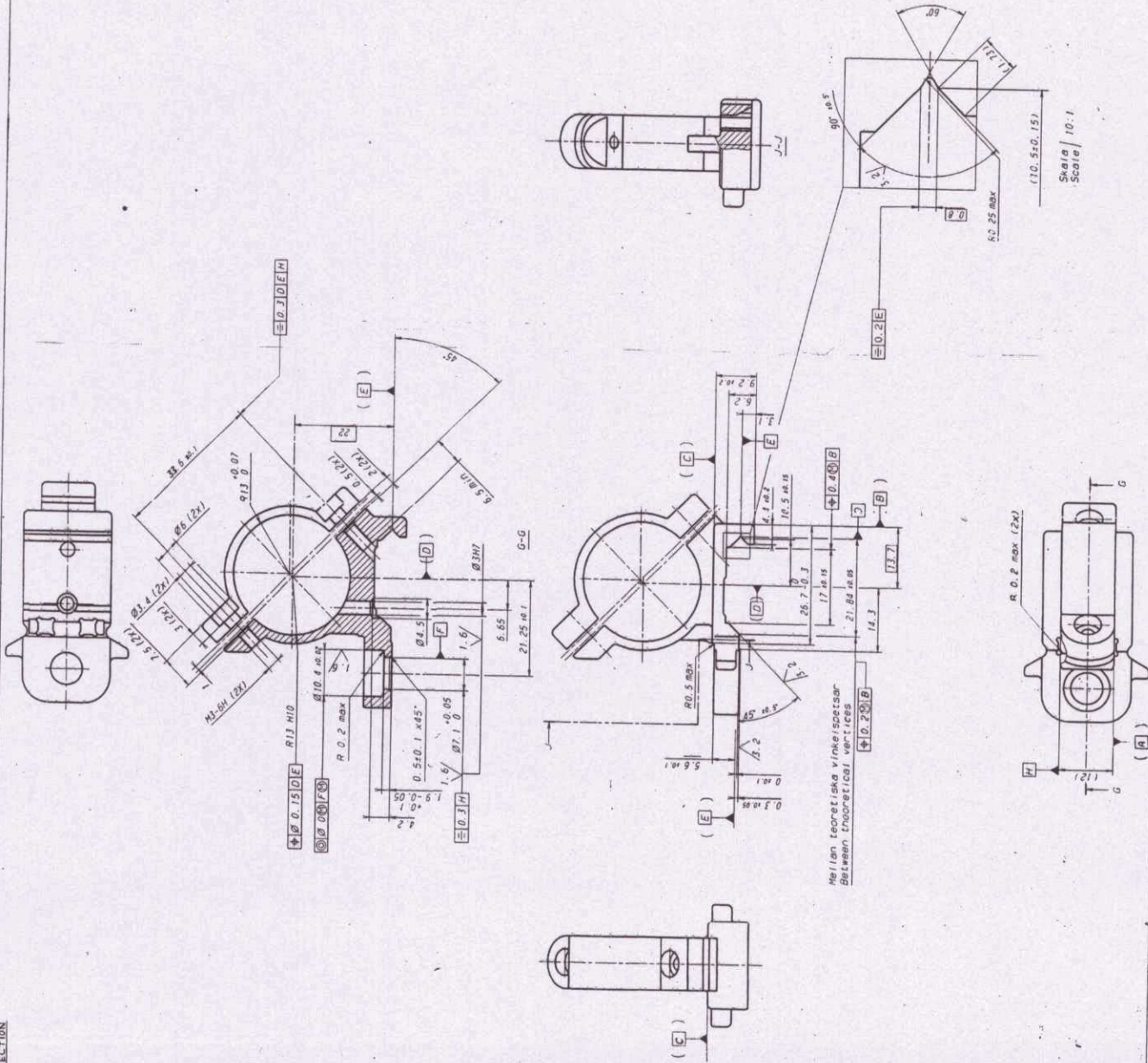
Alt vid egen tillverkning
 Alt for in-house production

Material: SS 2225-24 alt EN 10083-1-1.7218+N
 Nitrokarburerad Fz 15±3µm. Oxidationsbehandlad
 Material: SS 2225-24 alt EN 10083-1-1.7218+N
 Nitrocarburized Fz 15±3µm. Oxidation treated

FOR TRADE OEM
 Date of Issue: 14/12/2010
 Rey

ORD.FY DEHRADUN	DR SKThapayn	DT-6-9-08	SCALE 2:1
	TR	MATL	TREAT
CH @	SHEETS	SHT. NO	
APPROVED	AMENDMENTS	DRAWING NO	
CH D.O.	OFD/DO/002	MCTF-2295	
TELESCOPE SIGHT FOR 8.4 mm CARL GUSTAV MK-III			
FOOT FRONT LEVER			
557 B			
DRGMS- F-1309-029500C			
DGM/P			

FIRST ANGLE PROJECTION



Ref A, B och C uppspinningsplan vid bearbetning
 Ref A, B, and C fixation planes during machining
 Mangantostaterad enligt Gr. 1.003.064

DOE TRADE MARK
 Date of Issue 19/12/2010
 Ref

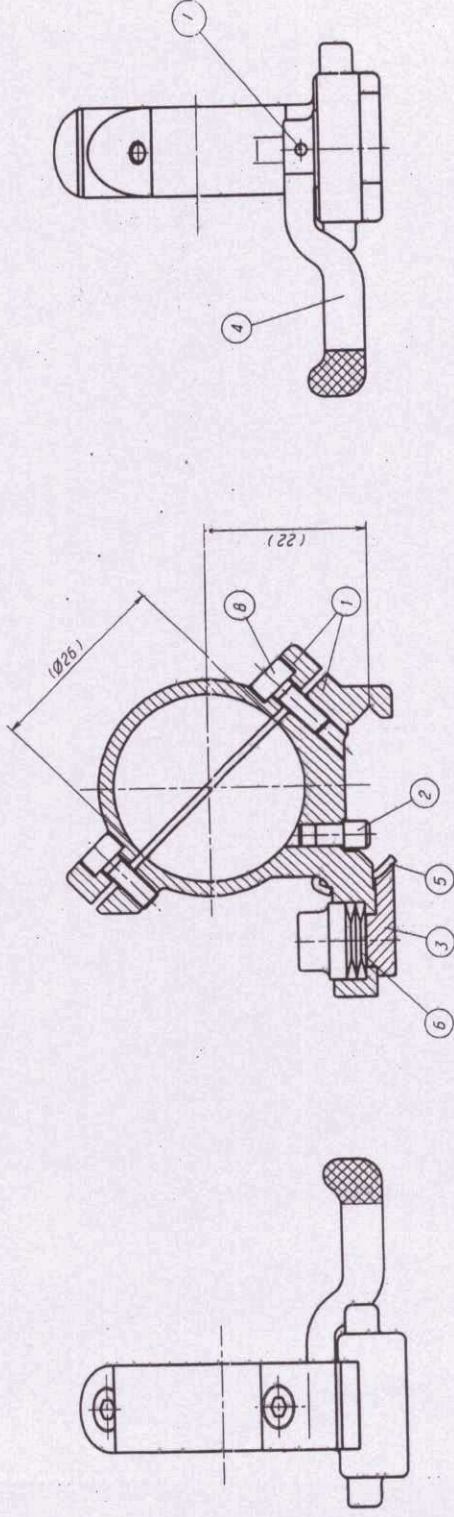
MATL: BS-170-03 Pt-I 708 ABS WITH RESTRICTION 35-00085 MAX.

DT-26-B-06	SCALE:- 2:1
MATL:-	TREAT:-
SHYS:-	SMT No
AMENDMENTS	DRAWING No
OFO/DO/002	MCT-2294/2

TELESCOPE SIGHT FOR 84mm CARL GUSTAV MK-III
 TELESCOPE BRACKET

ORDNANCE FACTORY DEHRADUN	DR-TR-CH-APPROVED
1/E D.D.	DOM/P
	DES. NO. FIB03-029430B

FIRST ANGLE PROJECTION



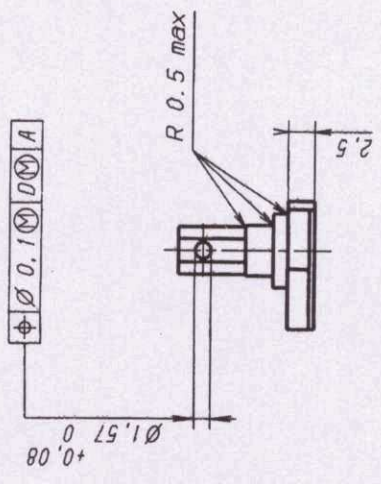
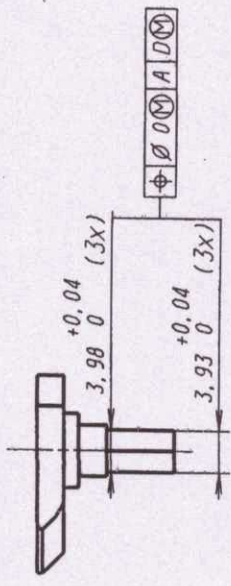
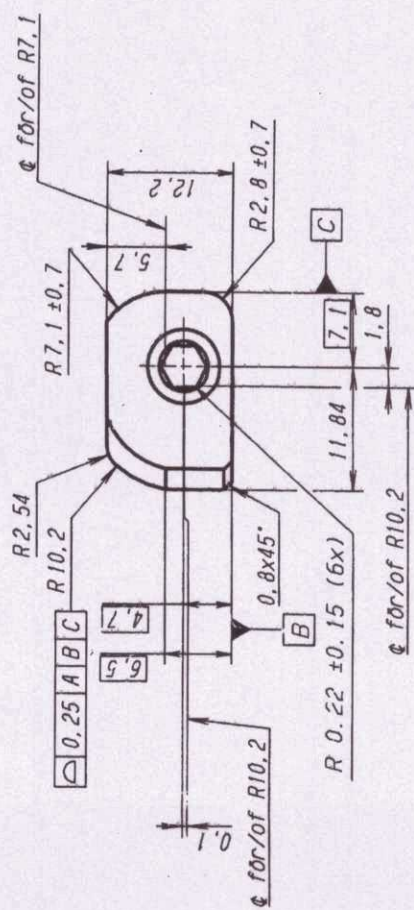
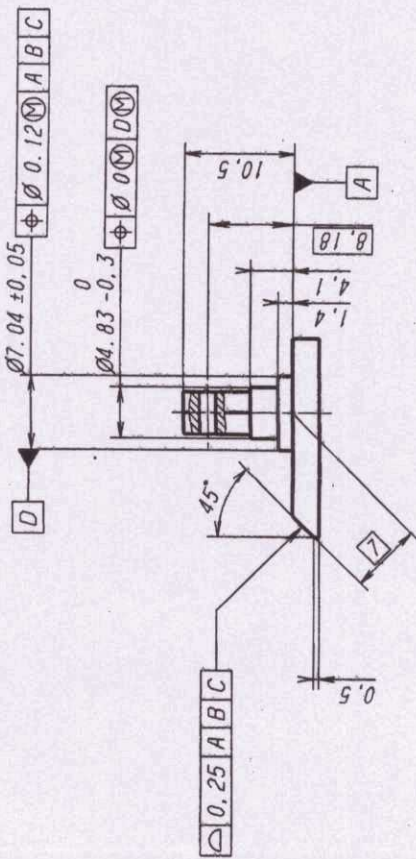
8	2	Sextantålsskruv M3x8-8.8 Hexagon socket head cap screw M3x8-8.8	SS-150 4762	Svartoxiderad Alkaline blackened
7	1	Pinne 1.5x 8-A-St	SS-150 8752	Svartoxiderad Alkaline blackened
6	4	Fälliriksfläder B-10-1 Disc spring	SMS 2313	Svartoxiderad Alkaline blackened
5	1	Mellanlåg Ped	F1303-029510	MCT-2296/1
4	1	Arm Lever	F1303-029500	MCT-2295
3	1	Fot. bakre Foot, rear	F1303-029470	MCT-2300/1
2	1	Cylindriskt stopp Cylindrical stop	F1303-029460	MCT-2302/1
1	1	Fäste för kikare Telescope bracket	F1303-029430	MCT-2294/1

FOR TRADE GEM
Date of Issue 14/11/2010
Ray

ORD. FY. DEHRADUN	DR. SKTropolnyy	SCALE 2:1
	TR.	DI-26-8-06
CH. Chikindro	APPROVED <i>[Signature]</i>	MATL
4/6 00	4/6 00	SHTS
DGM/P	AMENDMENTS	DRG. NO
	OFD/00/002	MCT/2315

TELESCOPE SIGHT FOR 84mm CARL GUSTAV
MK-III
TELESCOPE BRACKET, REAR

DRG. NO
F-1303-029460



Värmebehandling till Rockwell C 40-45 (IC4140 gäller)
 Slutlig ytskyddsbehandling: Ytfinhet punkt 5.3.1.2 enl MIL-STD 171.
 MIL-W-13855 och Ansi Y14.5-1973 gäller
 Alt. material: MIM 4600, densitet 7.4 g/cm³ min
 Värmebehandling till 83-88 HR 15N
 Leverantör A.R.M.S., INC art nr 7805

Heat treat to Rockwell C 40-45 (IC4140 only)
 Final protective finish: Finish para 5.3.1.2 of MIL-STD 171.
 MIL-W-13855 and Ansi Y14.5-1973 apply
 Alt material: MIM 4600, density 7.4 gm/cc min
 Heat treat to 83-88 HR 15N
 Supplier A.R.M.S., INC art No. 7805
 Alt vid egen tillverkning
 Alt for in-house production

MATL :- BS-970 Pt.1-83 708A 25 WITH RESTRICTION
 %S=0.035 MAX.

FOR TRADE 975
 Date of Issue: 14/12/2010
 [Signature]

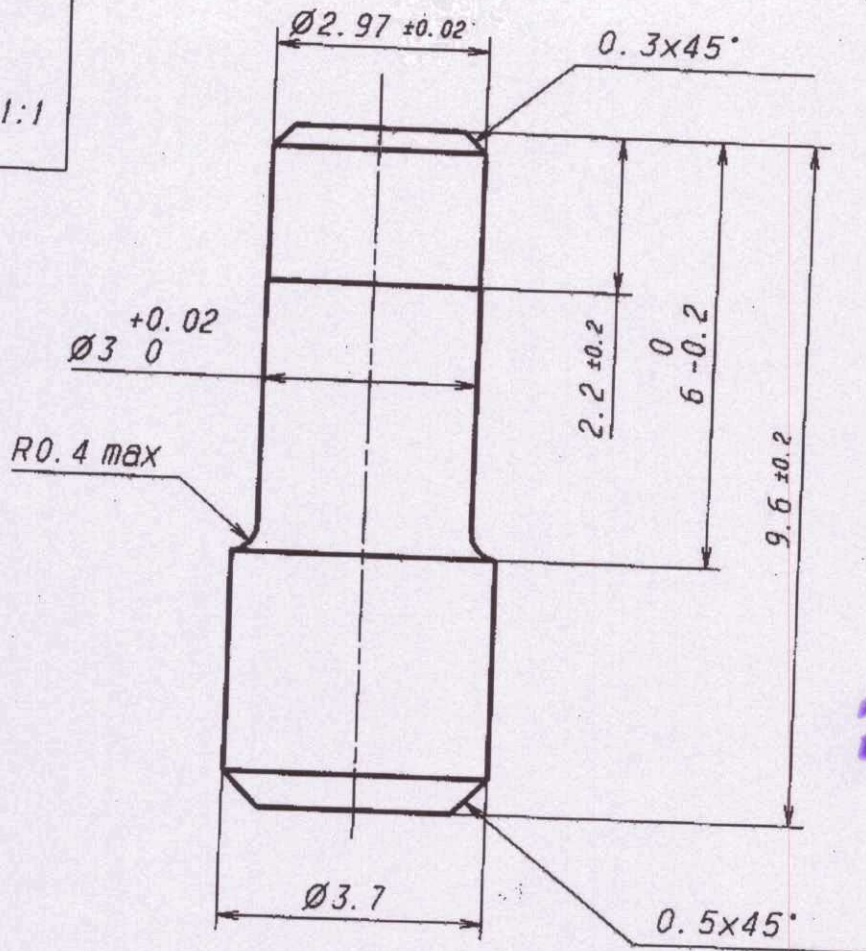
ORD FY DEHRADUN	DR. S.K. Dhillon	SCALE 2:1
	TR.	TREAT
APPROVED [Signature] 1/COO DGMIP	MATL	SHT No
	CH. [Signature]	SHEETS
	DA. No. 12/2016 DT. 12/5/2016	AMENDMENTS
TELESCOPE SIGHT FOR 84 mm CARL GUSTAV MK-III FOOT, REAR		DRAWING No MCT-2301/1
DRG. No FJ303-029470		DT MCT-2301/1

TELESCOPE SIGHT FOR 84mm CARL GUSTAV MK-III

CYLINDRICAL STOP

DRG. NO

F-1303-029460



FOR TRADE USE
Date of Issue 14/11/2010
Raj

ORD. EY. DEHRA DUN

MATL :-

SS STEEL 1914-04 Clt EN 10277-3-1.0718+C490

SURFACE TREAT:-

Alkaline blackened to Gf 1.003.063

	D/-	SCALE 10:1
DR. SK. Thakur	MATL	TREAT
TR.	-	-
CH.	SHTS.	SHT. NO
AMENDMENTS	APPROVED	DRG. NO
OFD/DO/002	DGM/P	MCT/2302/1