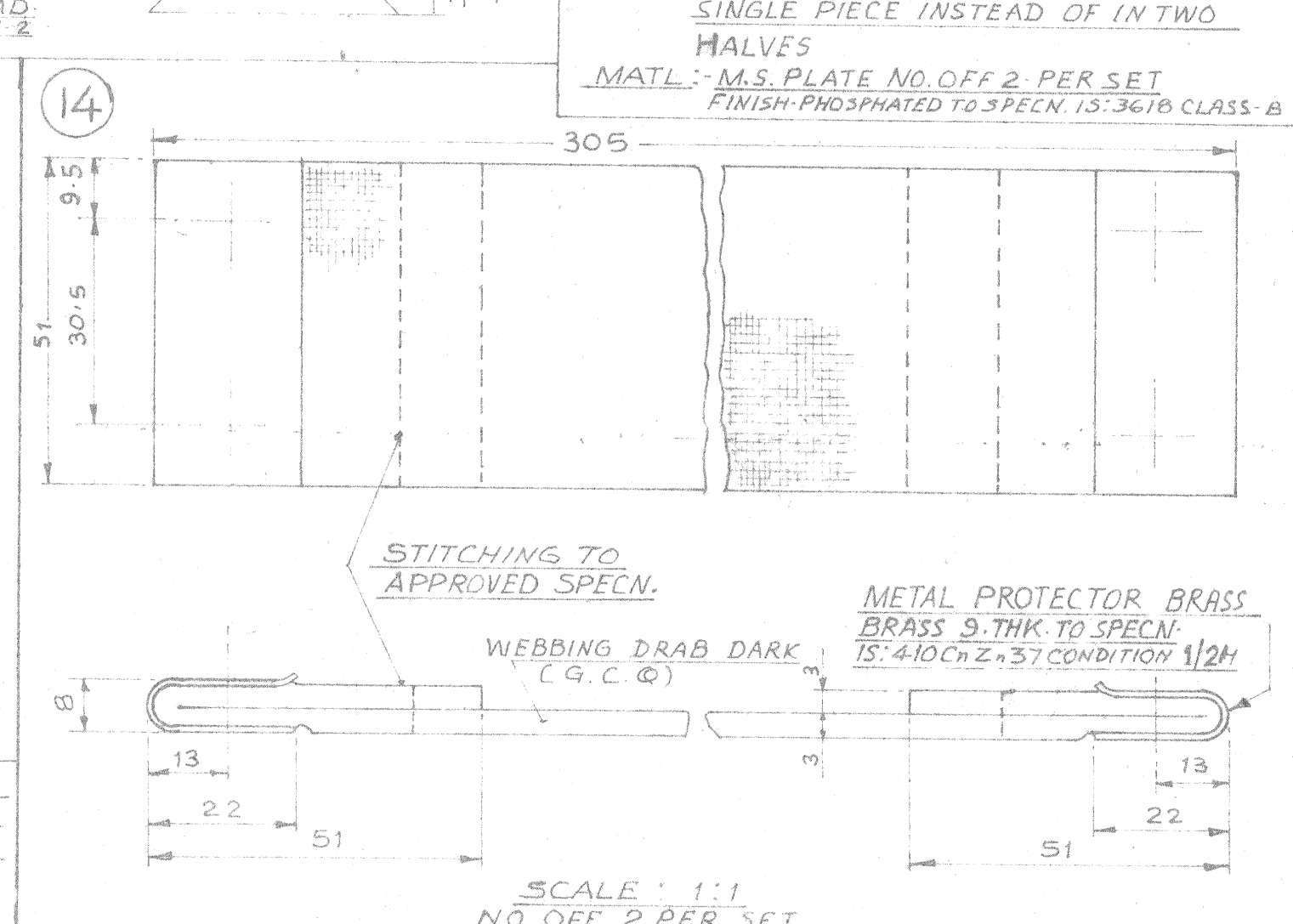
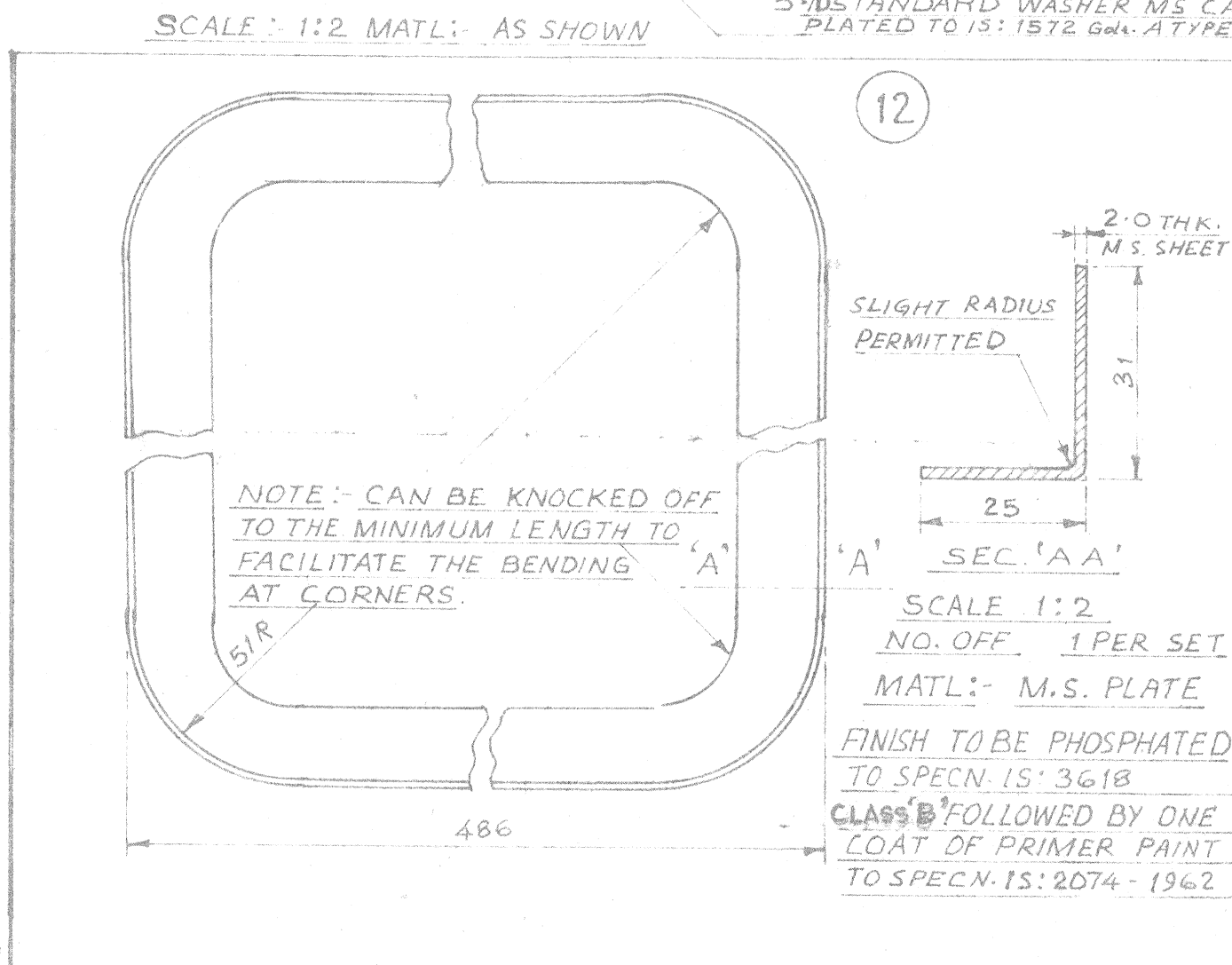
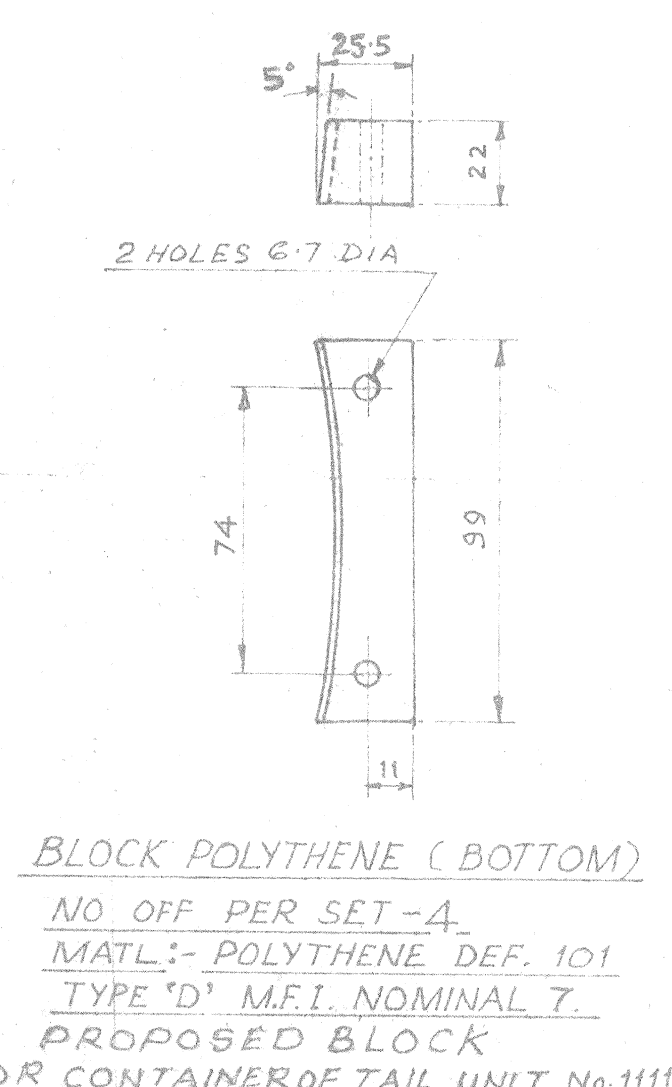
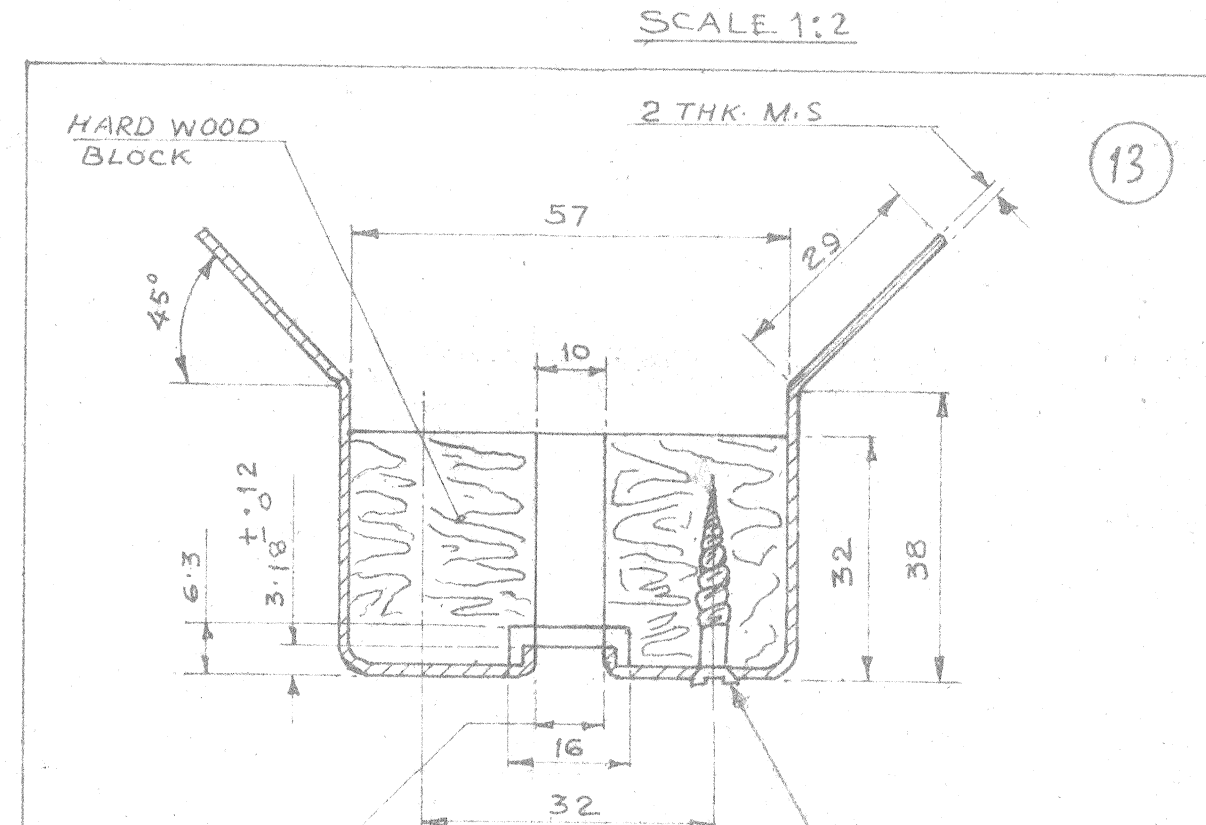
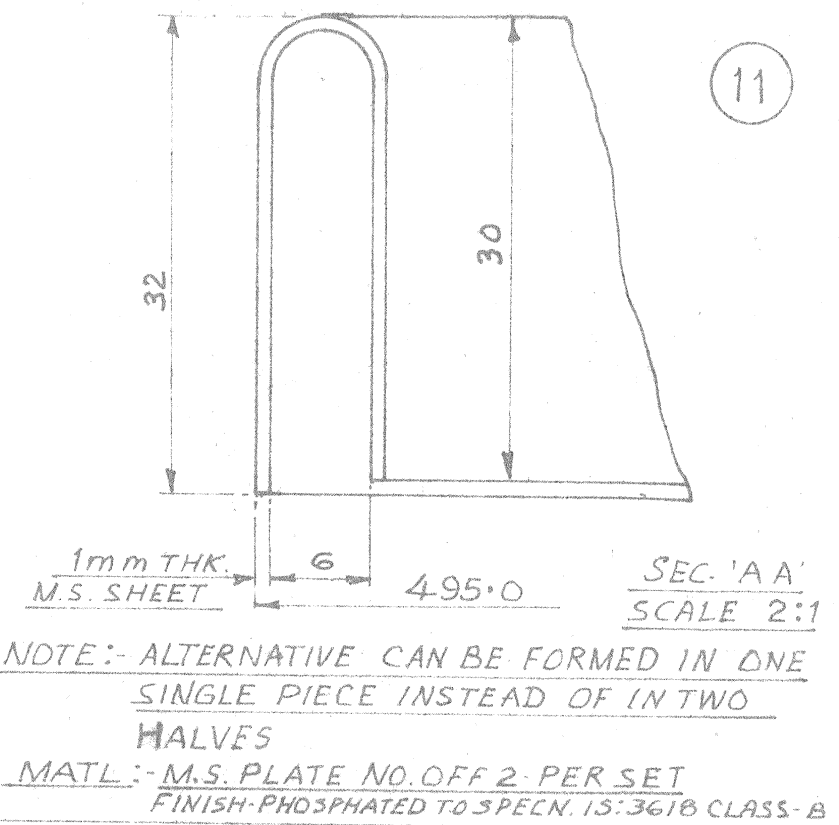
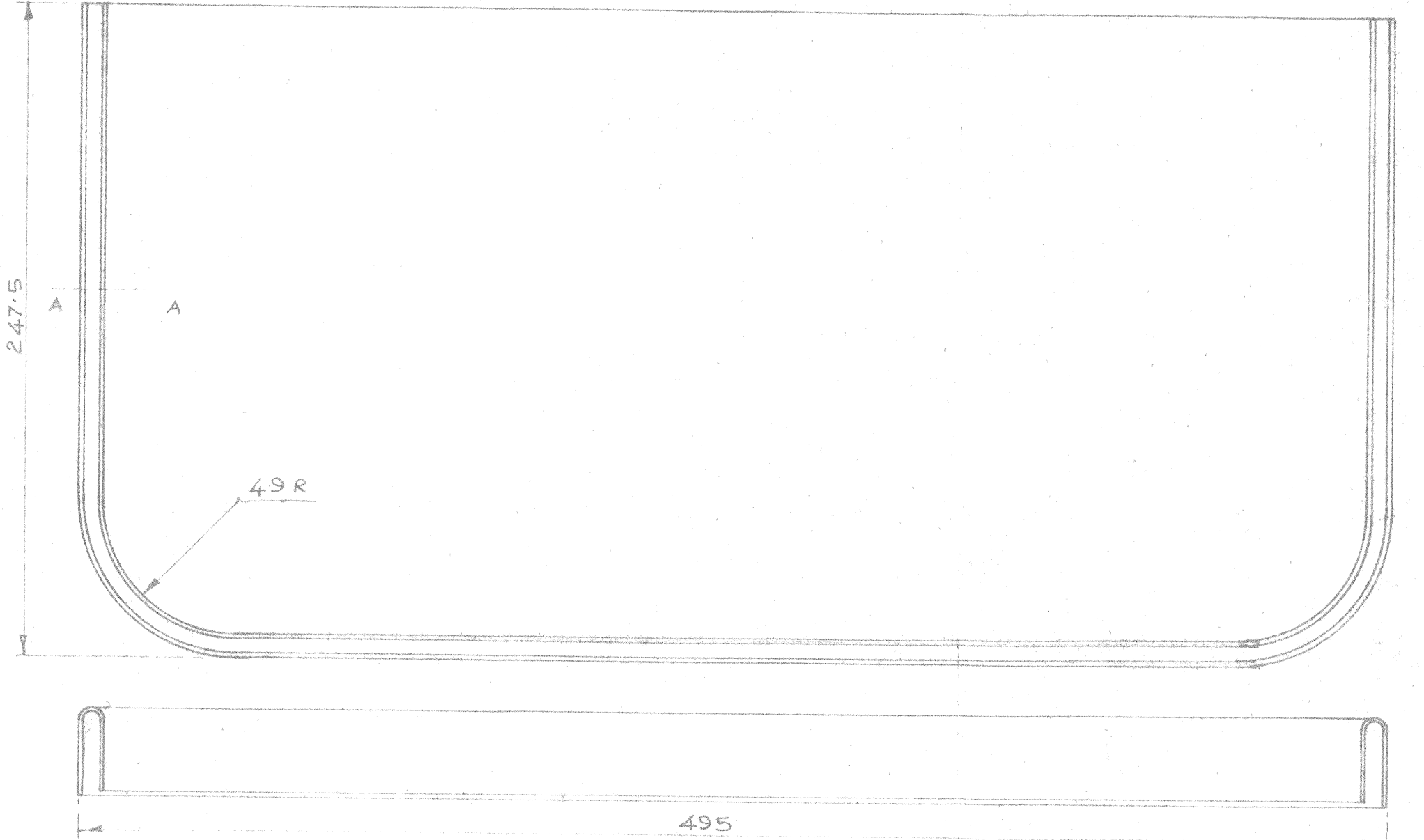
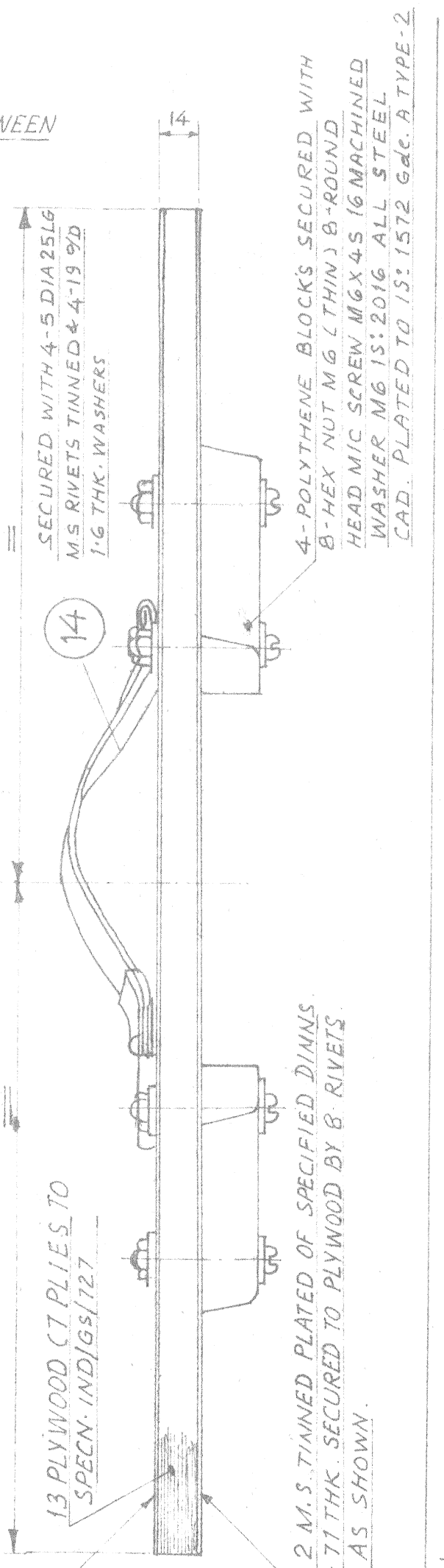
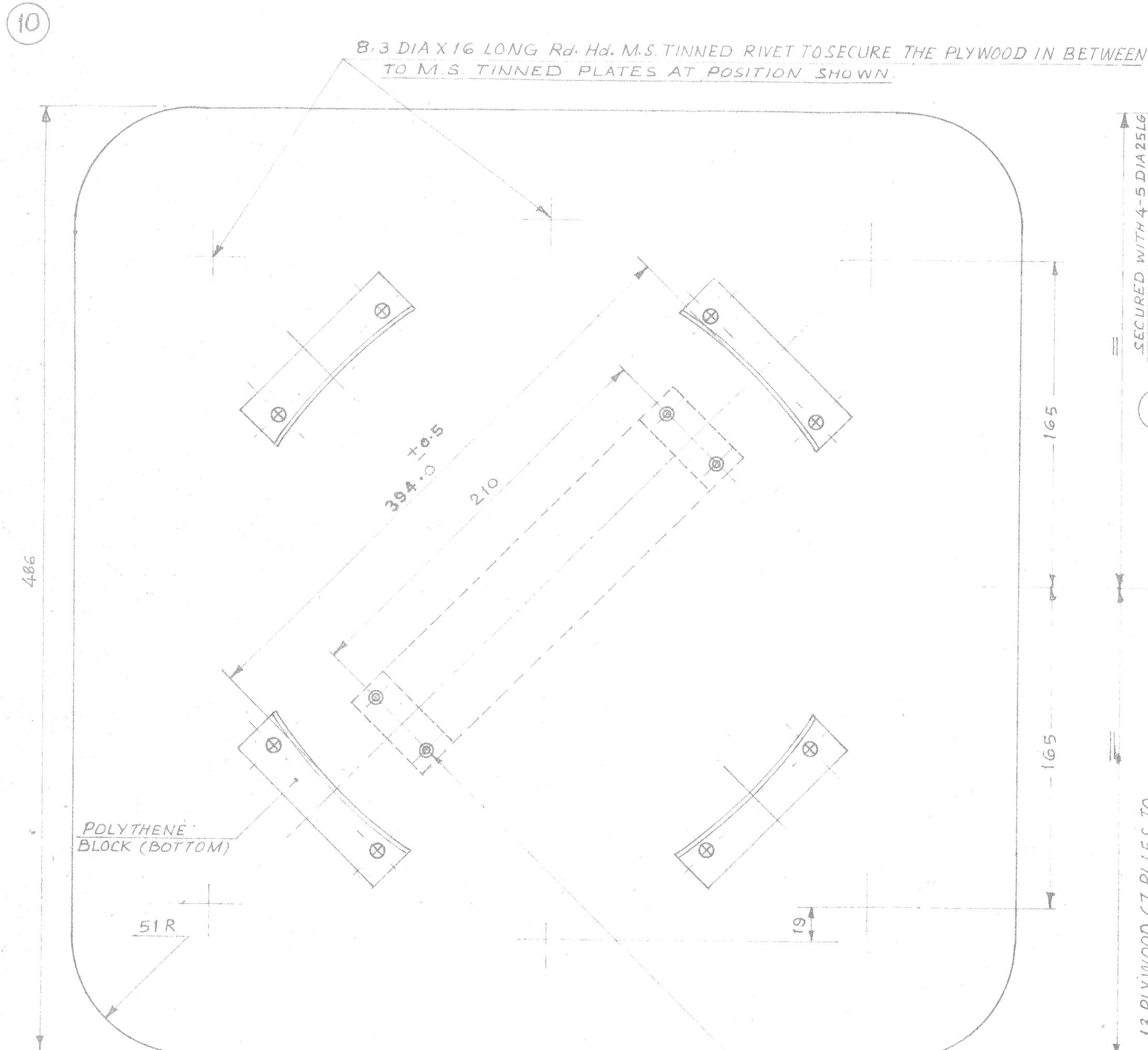


FIRST ANGLE PROJECTION



BRACKET M.S. TO BE OIL BLACKENED BEFORE PAINTING FOR DETAILS OF BRACKET & BLOCK SEE DRG NO ARM 1519 B 6
NO OFF-1 PER SET
SCALE: 1:1

FOR CONTAINER OF TAIL UNIT No 1111

DRAWN BY:-
D & P DRAWING OFFICE
&
ISSUED BY DGAQA
MINISTRY OF DEFENCE
GOVT. OF INDIA

DRAWN Santosh
TRACED Santosh
CHECKED
PASSED
APPROVED

TITEL:-
CONTAINER FOR TAIL UNIT
No:- 1111

AS STATED AS STATED
MATERIAL SPECIFICATION FINISH
I AF SEC. REF. NO.
PART. NO.
SCHD. NO. ARM 1519 SCHEDULE
FILE NO.

2	11-11-08		DRG. AMENDED VIDE AL. NO. 26/2008						
S. NO.	DATE	ZONE	BRIEF RECORD	CB	GO	SIGN			
			ARM 1519 D1	AS STATED	26	1	1	1	ORIGINAL
			ASSY. DRG. NO	SCALE	MOD	DATE	ISSUE	ALTERATION	
			DRG. NO:-	ARM-1519 C4					
			SHEET NO	4	NO OF SHEETS		6		