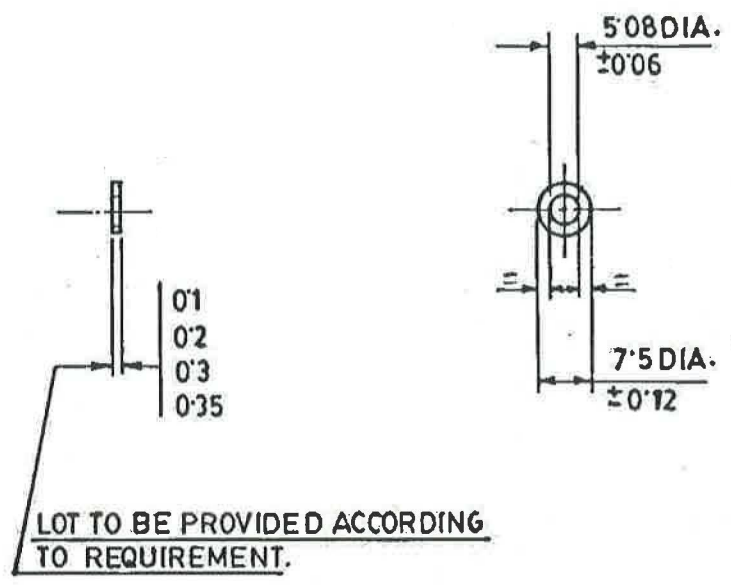


007110-01ES .ON  
D.S.CAT  
'LV'CAT

DIMNS. ARE IN m.m.



20-06-2017	27105-SA	<b>MATERIAL AMENDED</b>		
04.05.2002.	25352-SA	RECORD OF RECEIPT CANCELLED AND DRG. SEALED AFRESH.	<i>Di</i> ED	<i>M</i> DAC
29.5.2000	24731-SA	PROFORM CHANGED, NEG.RE-TRACED & DRG.RE-SEALED AS A RECORD OF RECEIPT.	<i>Aula</i>	<i>M</i> DAC
		PREVIOUS D.C.NOS-15506-SA,19548-SA,21284-SA,21693-SA, 22334-SA & 23311-SA,	COPY	COPY
DATE	AUTHY.	BRIEF RECORD	ZONE	I/C; D.O. G.O.
SEALED :- D.C. NO. 25352-SA DT.04.05.2002.			SIGN.	
DRN.	CHD.	TRD. <i>Baruk</i>	COMP. <i>Mambui</i>	AHSP.CQA(SA)ICHAPUR
SCALE :- 1:1		EST. MASS.	ASSY.1005-007718	
DT.29-5-2000	<i>Aula</i> I/C; D.O.	APPROVED	NEG.RE-TRACED	
MATERIAL :- STEEL STRIP TO SPECN.				
IS: 513-2008, DESIGNATION CR4.				
HT/HARDNESS:-		DGNR'S REF.		
PROTECTIVE FINISH:-		PART No. 25 DE		
NOMENCLATURE:- WASHER, FRONT GUIDE, RIGHT		DRG.No. A1212		
		D.S. CAT No. 5310-011400		