

DRG. No. IND/TC/0825 (b)

SHEET 1 OF 23

CAT. No. A3/8340-000017-----TENT, ARCTIC, SMALL, MK-2

CAT. No. A3/8340-000097-----FLY

CAT. No. A3/8340-000098-----LINER INNER

CAT. No. A3/8340-000095-----BAG, POLES

CAT. No. A3/8340-000095-----BAG, PINS

INDEX

S.No	NOMENCLATURE	SHEET No.
1	INDEX, REVISION PANEL	1 & 2
2	LIST OF MATERIALS	3
3	PITCHING PLAN	4
4	ASSEMBLY (LINE-DIAGRAM)	5 & 6
5	FLY PLAN	7
6	FRONT VIEW	8
7	BACK VIEW	9 & 10
8	SIDE VIEW	11 & 12
9	ENLARGEMENT AT 'X'	13
10	ENLARGEMENT AT 'Y'	14
11	ENLARGEMENT AT 'L'	15
12	ENLARGEMENT AT 'Z'	16
13	DETAIL OF WINDOW	17
14	DETAIL OF OPENING AT GROUND SHEET	18
15	LINER INNER FRONT VIEW	19
16	DETAIL AT 'N'	19
17	SIDE VIEW	20
18	DETAIL AT 'M'	21
19	BAG, POLES	22
20	BAG, PINS	23

TRACED FROM EXISTING DRG. No. IND/TC/0825 (b) U. K. 0001	COMP U. K. 0001	PSD U. K. 0001	APD U. K. 0001
--	--------------------	-------------------	-------------------

CAT No. A3/8340-000017.....TENT, ARCTIC, SMALL, MK-2

CAT. No. A3/8340-000097..... FLY

CAT. No. A3/8340-000098..... LINER INNER

CAT. No. A3/8340-000096..... BAG, POLES

CAT. No. A3/8340-000095..... BAG, PINS

CORRECT COPY OF SEALED DRG. AT THIS DATE

CONTROLLER  
C. Q. A. (T&C), KANPUR

CASE No.  
5/6203/TC-6

SECTION  
TC-6

REVISION PANEL

	DC (I) No.	DATE	NATURE
	7572-TC	15.11.88	SEALED
(Q)	7736-TC	4.1.88	AMENDMENT
(b)	7858-TC	29.4.89	AMENDMENT

TRACED FROM EXISTING  
DRG. No. IND/TC/0825 (b)

COMP  
सुनील  
शर्मा

PSD  
सुनील  
CDM

APP  
Gundari  
G.O.

## CAT. No. A3/8340-000017. TENT, ARCTIC, SMALL, MK-2

## LIST OF MATERIALS

S.No	NOMENCLATURE	DRG/SPECN No
1	FABRIC COTTON CLOSELY WOVEN 170 g. DUAL SHADE (WHITE/O/G) WVR 91 CM	J55-8305-5
2	COTTON FABRIC FOR SUPPLY DROPPING PARACHUTE SCOURED (TYPE-1)	15:2970-1964 (TYPE-1)
3	FABRIC RUBBERISED FOR TENT FLOORING	SCHEDULE No TC-7/40(a)
4	NETTING MOSQUITO SQUARE MESH MCK LINO WEAVE WHITE	15:1143
5	TAPE NEWAR 25mm UNDYED	15:1895
6	TAPE NEWAR 25 mm O G.	15:1895
7	TAPE NEWAR 13 mm UNDYED	15:1895
8	TAPE NEWAR 13 mm O G.	15:1895
9	CORD COTTON 2 mm UNDYED	15:5252
10	CORD NYLON 1785N BREAKING LOAD WHITE	J55-4020-9
11	SEWING COTTON 165 d Tex x 6 WHITE	15:1720
12	EYELETS ALUMINIUM ALLOY No 24 WITH WASHER	15:4084
13	DEES IRON 22 mm x 19 mm	15:5177 & J55-5770
14	DRILL COTTON WHITE (BLEACHED) 71 CMT (VARIETY No 3)	15:1177
15	RUNNER SMALL ALUMINIUM	IND/65/762 (d)

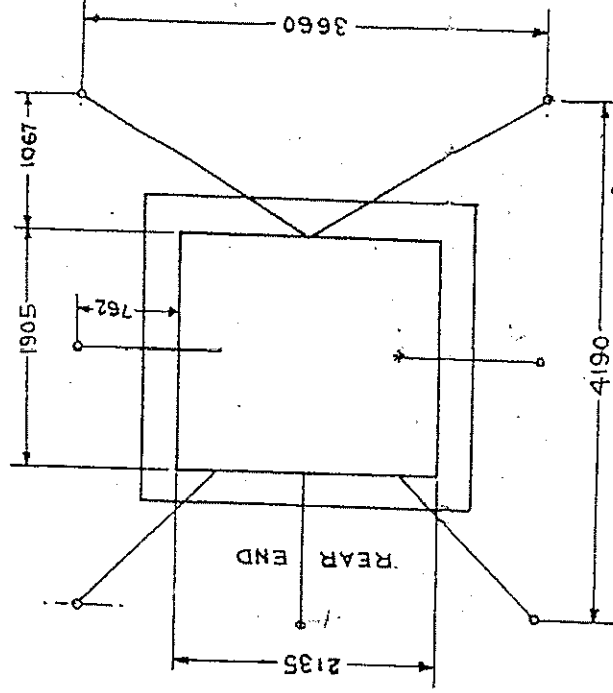
WRN. FROM EXISTING DRG No IND/TC/0825 (b) BY: 31/3/70	COMP 31/3/70	PSD 31/3/70	APPD 31/3/70
--	-----------------	----------------	-----------------

DRG. No. IND/TC/0825 (b)

SHEET 4 OF 23

# CAT. No. A3/8340-000017-----TENT, ARCTIC, SMALL, MK-2

## PITCHING PLAN



SCALE: 1:50 DIMENSIONS IN MILLIMETRES



BASED ON EXISTING DRG.

No. IND/TC/0825 (b)

CKD

*[Signature]*

TCD

*[Signature]*

COMP

*[Signature]*

PSD

*[Signature]*

APD

*[Signature]*

G.O.

*[Signature]*

TC-6

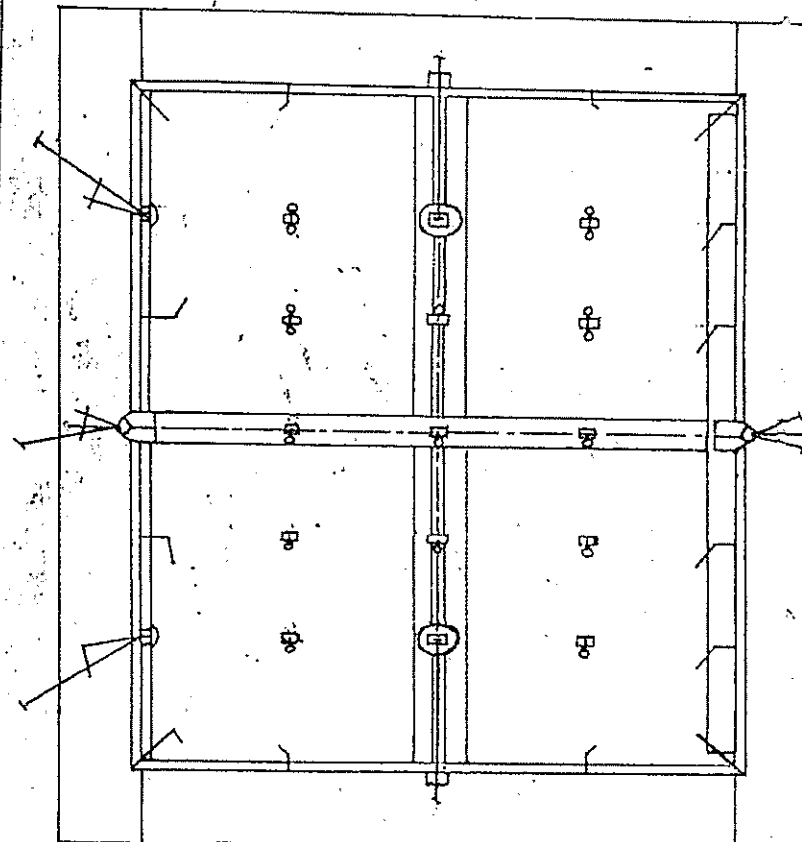
TC-4/07/2060

DRG.No.IND/TC/0825(b)

SHEET 5 OF 23

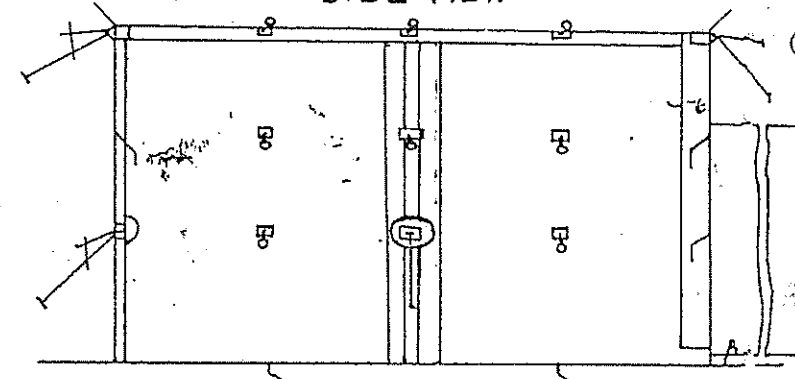
CAT.No.A3/8340-000017.TENT,ARCTIC,SMALL,MK-2

REVERSIBLE (WHITE SIDE DRAWN)  
ASSEMBLY (LINE DIAGRAM)  
PLAN

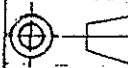


- NOTE:-
- (1) ALL UNDYED TAPES, MTL. ⑤ & ⑦ TO BE FITTED ON THE WHITE SIDE AND O.G. TAPES MTL. ⑥ & ⑧ OR TAPES MADE OF BODY MATERIAL ON THE O.G. SIDE TO MATCH THE SHADE OF THE TENT,
  - (2) FOR DETAIL OF PLAN SEE SHEET No. 7
  - (3) FOR DETAIL OF SIDE VIEW SEE SHEET No. 11
  - (4) FOR DETAIL OF BACK VIEW SEE SHEET No. 9
  - (5) FOR DETAIL OF FRONT VIEW SEE SHEET No. 8
  - (6) BACK AND FRONT VIEW OF ASSEMBLY (LINE DIAGRAM) SEE SHEET No. 6
  - (7) ALL STITCHING WITH MTL. ⑩

SIDE VIEW



SCALE-1:20 DIMENSIONS IN MILLIMETRES.

	TRACED FROM EXISTING DRG.	COMR	PSD.	APD.
	No.IND/TC/0825(b)	<i>[Signature]</i>	<i>[Signature]</i>	<i>[Signature]</i>

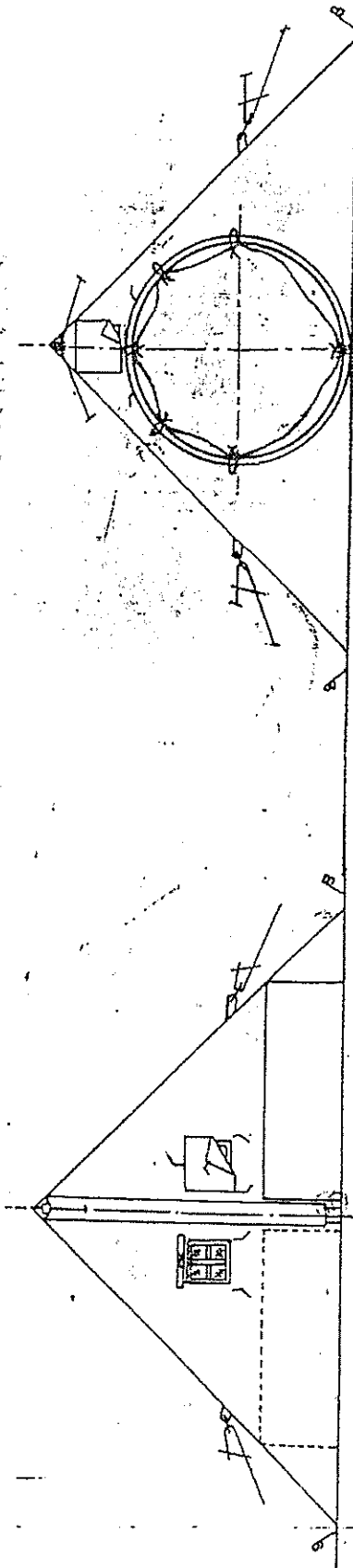
TC-4/81/99

DRG.No. IND/TC/0825(b)

SEET 6 OF 23

# CAT.No. A 3/8340 - TENT ARCTIC SMALL MK-2

REVERSIBLE (WHITE SIDE DRAWN)  
ASSEMBLY (LINE DIAGRAM) FRONT VIEW



NOTE:-

- (1) ALL UNDYED TAPES, MTL. ⑤ & ⑦ TO BE FITTED ON THE WHITE SIDE AND O.G. TAPES, MTL. ⑥ & ⑧ OR TAPES MADE OF BODY MATERIAL ON THE O.G. SIDE TO MATCH THE SHADE OF THE TENT.
- (2) FOR PLAN & SIDE VIEW: SEE SHEET No.

SCALE: 1:20 DIMENSIONS IN MILLIMETRES



TRACED FROM EXISTING  
DRG.No. IND/TC/0825(b)

COMP.  
29/11/77

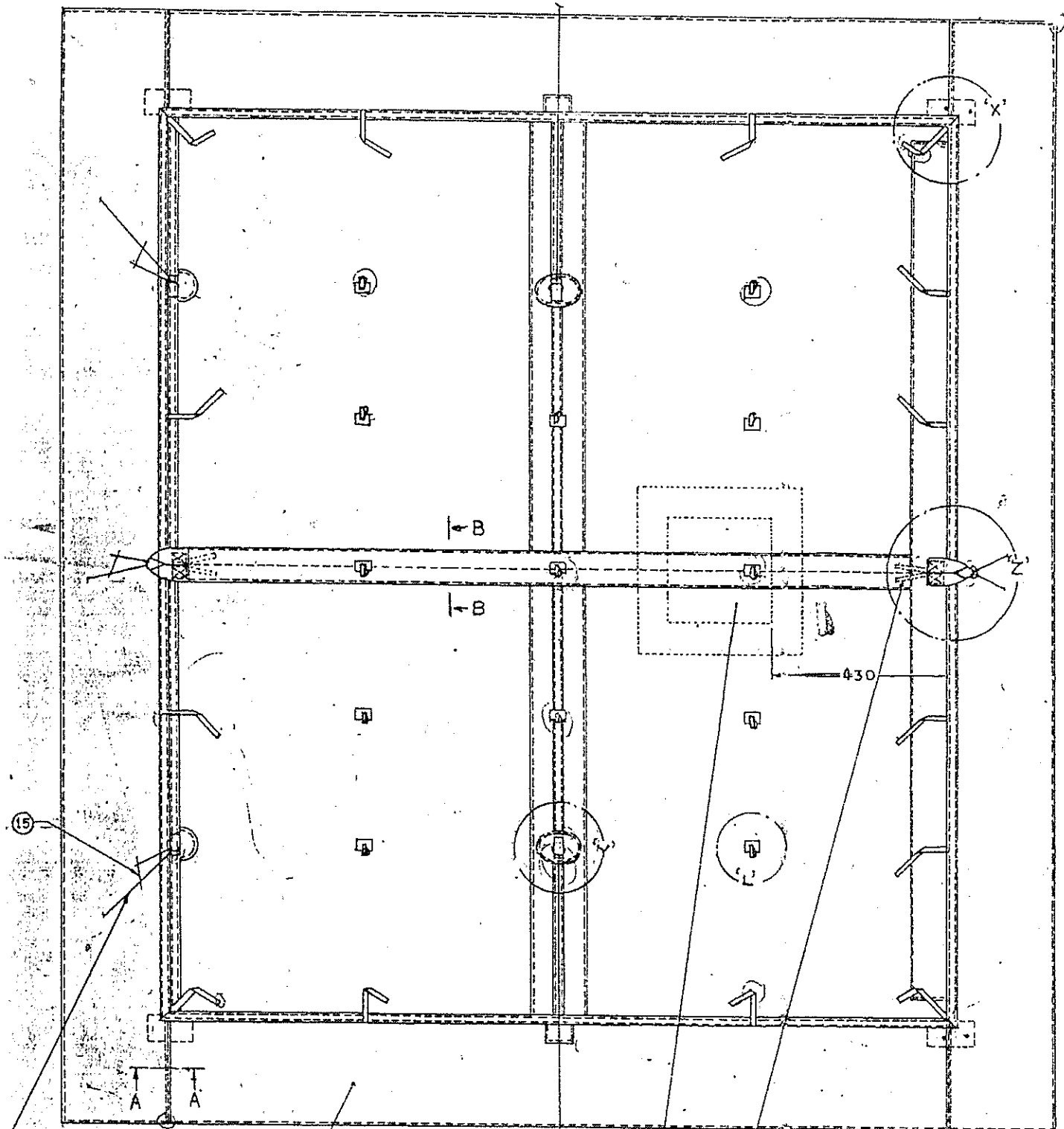
PSD.  
29/11/77

APP.  
G. S. D. S. M. GO

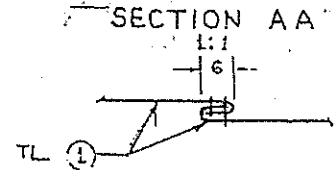
TC-4/81/99

TC-6

FLY  
PLAN



5-BRACING LINES, WITH RUNNERS, 2740 MM LONG  
MTL (C)

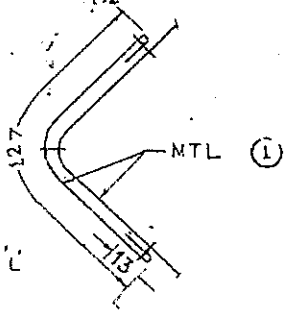


SHOW FLAP, 267 MM ALL AROUND

OPENING OF GROUND SHEET, FOR DETAIL SEE SHEET No.

TYING TAPES, MTL (7) / (8) 150 MM LONG DOUBLE ARE PROVIDED ON BOTH ENDS OF GROUND SHEET FOR SECURING THE INNER LINER

SECTION BB  
1:2



NOTE:-

- FOR ENLARGEMENTS AT 'X', 'Y', 'Z', & 'L' SEE SHEET No. 13, 14, 16 & 15
- ALL STITCHINGS WITH MTL (11)

DIMENSIONS IN MILLIMETRES	
231:1	

IND/TC 10825 (B)	BY: <i>[Signature]</i>	COMP: <i>[Signature]</i>	PSD: <i>[Signature]</i>	APD: <i>[Signature]</i>
			C.D.V.	G.O.

T.C.K

DRG No. IND/TC/0825 (b)

SHEET 8 OF 23

# TENT, ARCTIC, SMALL, MK-2

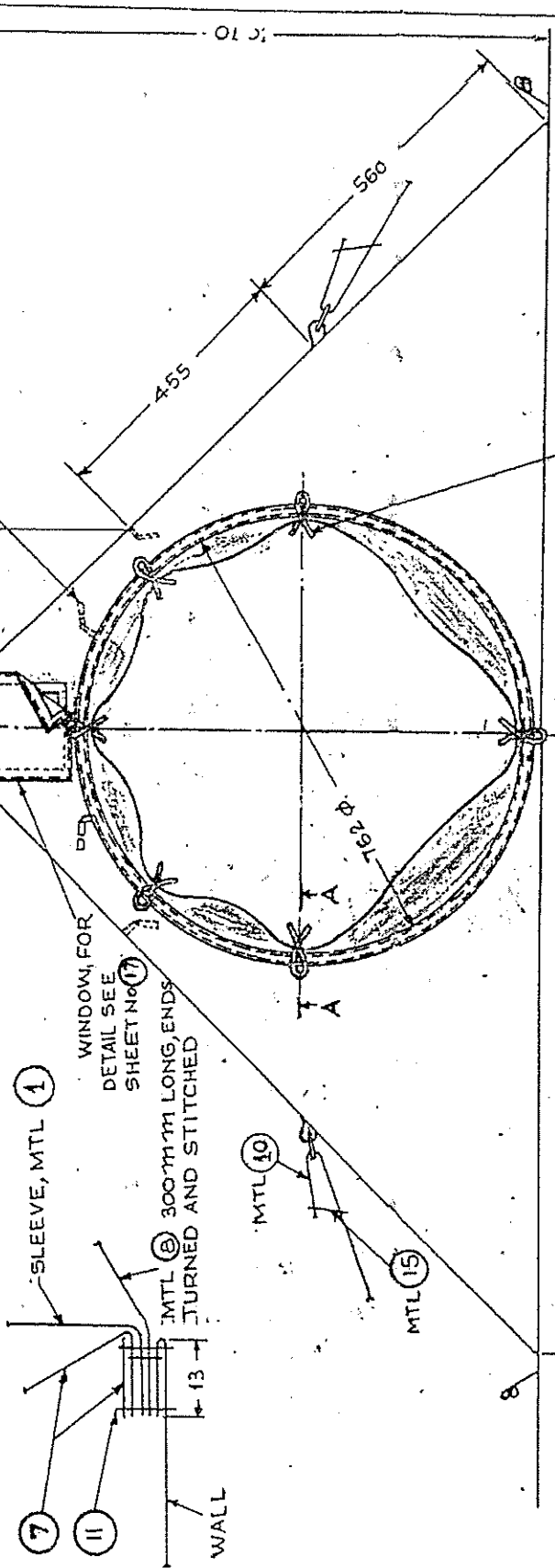
CAT No. A3/8340-000017

CAT No. A3/8340-000097

FLY

## FLY FRONT VIEW (MAN HOLE ENTRANCE)

### SECTION AA 1:1



SCALE: 1:10 & 1:1 DIMENSIONS IN MILLIMETRES

TRACED FROM EXISTING DRG No. IND/TC/0825 (b)

COMP 28/11/17

PED 28/11/17

APD GORD

CDM G.O.

NOTE: ALL STITCHINGS WITH MTL (1)

6 PAIRS OF TYING TAPES, SPACED AS SHOWN

TC-6

TC-4/8/99



DRG No IND / TC/0825 (b)

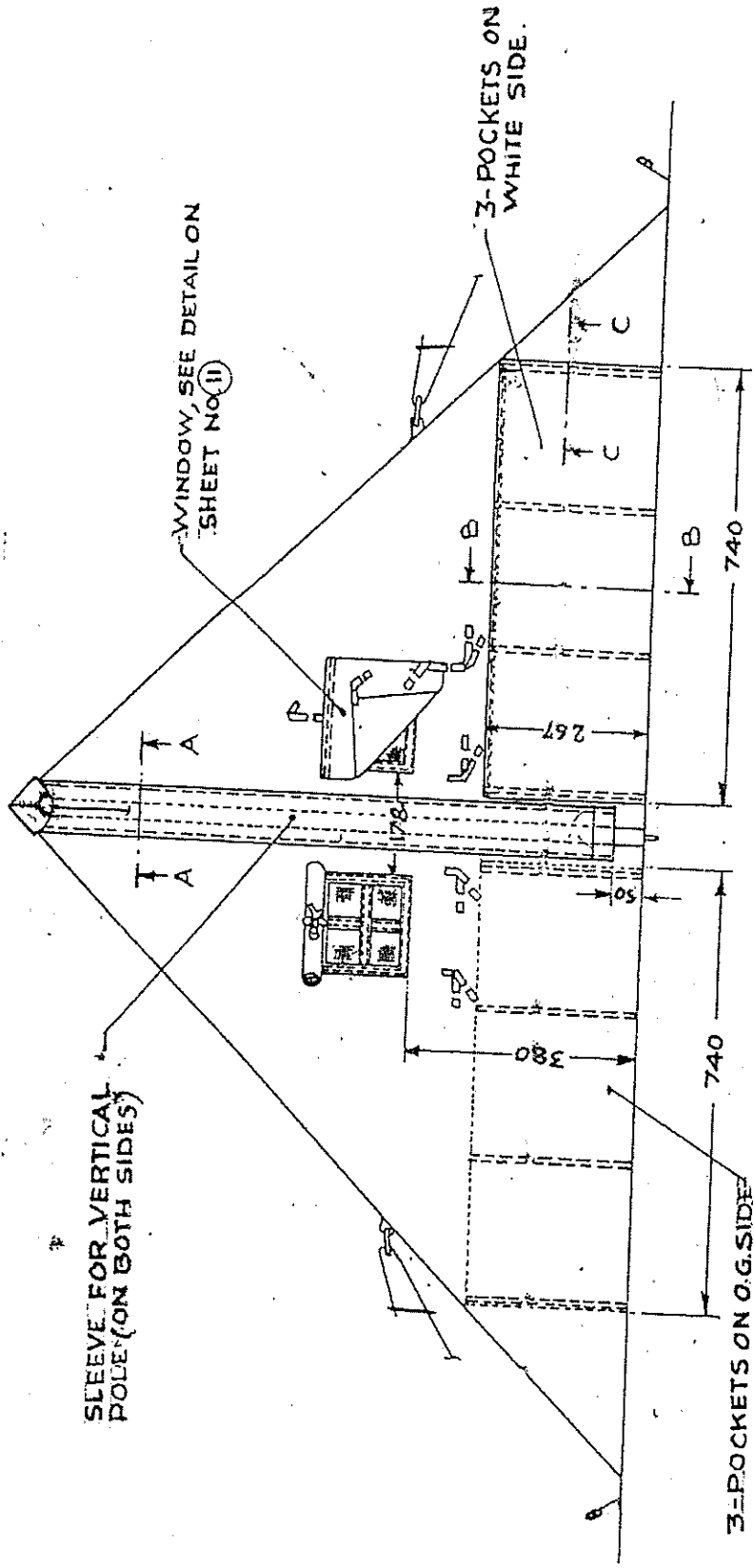
CAT.No. A3/8340-000017

# TENT ARCTIC, SMALL, MK-2

CAT.No. A3/8340-000097 FLY

SHEET 9 OF 23

BACK VIEW



SCALE-1:10 DIMENSIONS IN MILLIMETRES.

TRACED FROM EXISTING DRG. NO. IND/TC/0825 (b) (AA)

COMP IND/TC/0825 (b)	PSD IND/TC/0825 (b)	APP IND/TC/0825 (b)
-------------------------	------------------------	------------------------

- NOTE-
1. ALL STITCHINGS WITH MIL (1)
  2. FOR SECTION AA, BB, & CC. SEE. SHEET. NO. 10

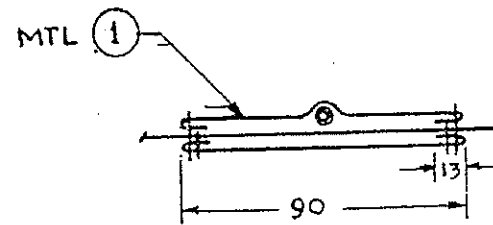
TC-4/81/99

# TENT, ARCTIC, SMALL, MK-2

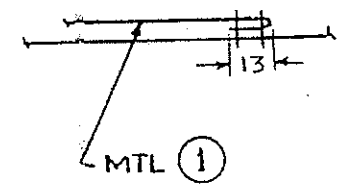
CAT.No.A3/8340-000017... FLY  
CAT.No.8340-000097..... FLY

## FLY BACK VIEW

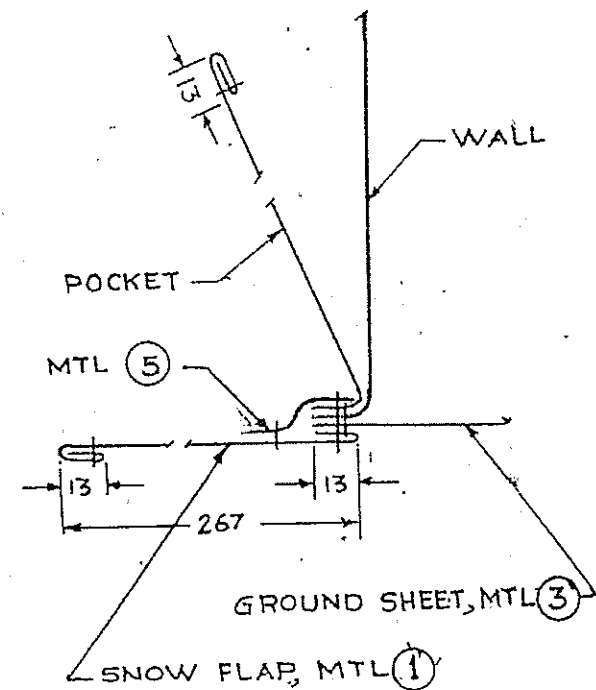
SECTION AA  
1:2



SECTION CC  
1:2



SECTION BB  
1:2



SCALE-1:2 DIMENSIONS IN MILLIMETRES

	TRACED FROM EXISTING.	COMP	PSD	APP.
	DRG.No. IND/0825 (b)	3/27/99	CDM	GO

DRG No IND/TC/0825 (b)

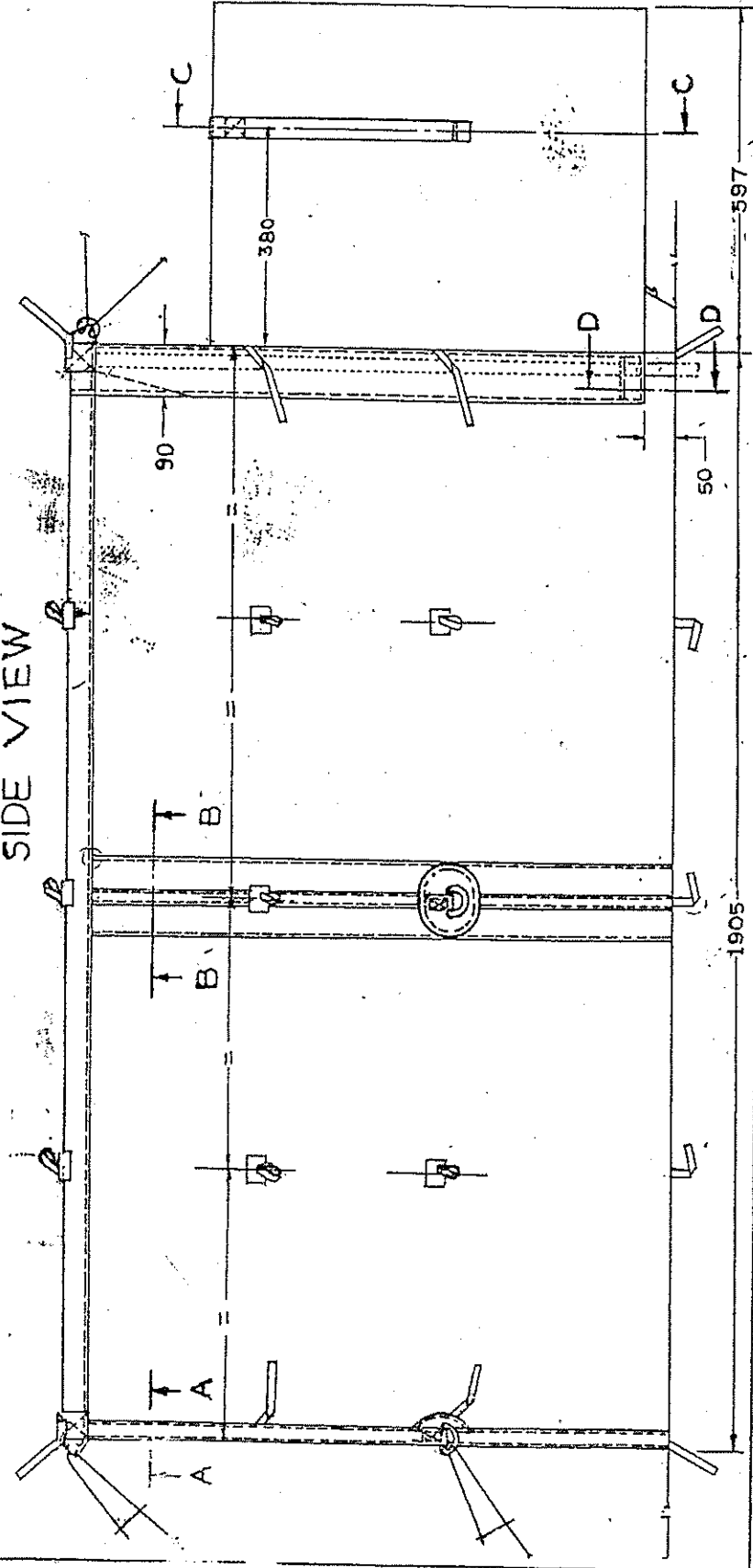
SHEET II OF 23

# CAT. No. A3/8340-000017 TENT, ARCTIC, SMALL, MK-2

CAT. No. A3/8340-000097 FLY

FLY

SIDE VIEW



SCALE: 1:10 DIMENSIONS IN MILLIMETRES

IND/TC/0825 (b)	BY: [Signature]	COMP: [Signature]
TCD FROM EXISTING DRG. No. [Signature]		

PSD: [Signature]	APD: [Signature]
GIB: [Signature]	

NOTE:

FOR SECTIONS AA, BB, CC & DD SEE SHEET No. 12

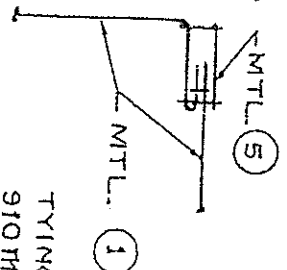
ICEA/81/199

# CAT. No. A3/8340-000017 TENT, ARCTIC, SMALL, MK-2

CAT. No. A3/8340-000097

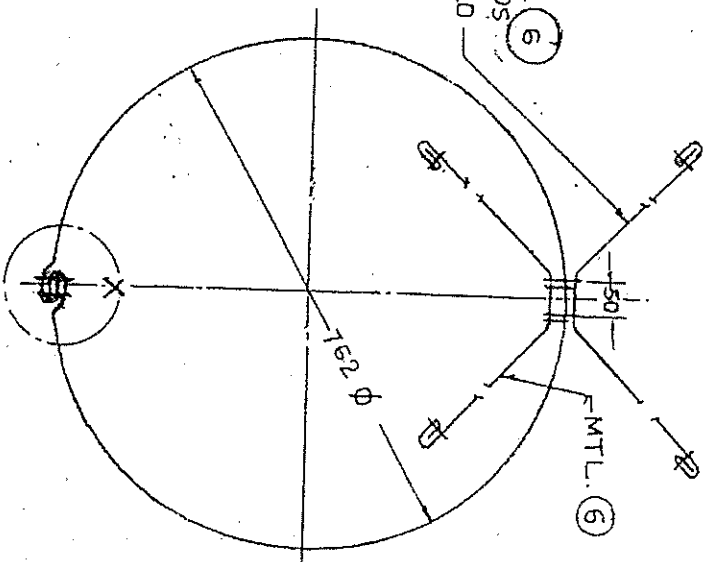
FLY FLY

SECTION AA  
1:2

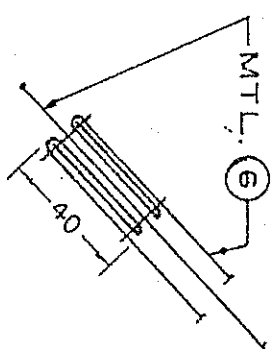


SIDE VIEW

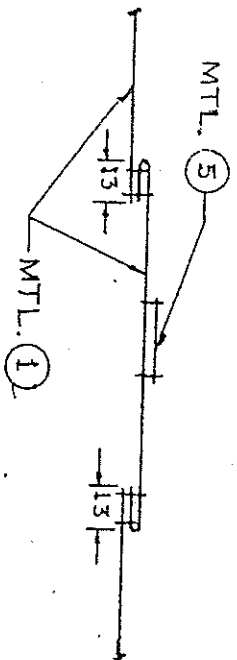
SECTION CC  
1:10



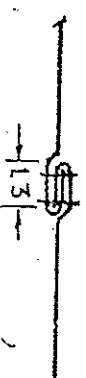
SECTION DD  
1:2



SECTION BB  
1:2



ENLARGEMENT AT 'X'  
1:2



TYING TAPES, MTL. 6  
910 MM LONG ENDS  
1 / TURNED AND STITCHED

SCALE: 1:10; 1:2 DIMENSIONS IN MILLIMETRES

	TC	FROM EXISTING DRG. No.	IND/TC/0825 (b)	BY:	30/08/2001/AM
	COMP	NO.	23444		
	PSD	NO.	1300017		
	APP	BY:	AM G.O.		

TC-6

TC: 4/81/99

DRG No IND/TC/0825 (b)

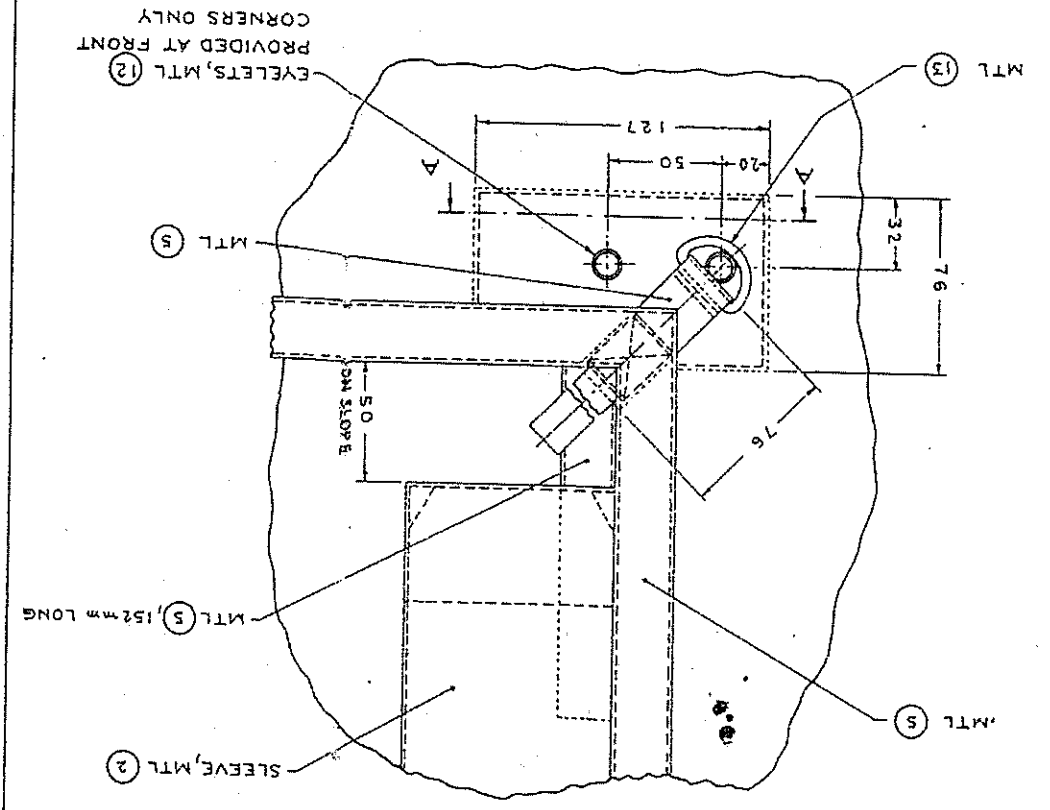
SHEET 13 OF 23

TENT, ARCTIC, SMALL, MK-2.

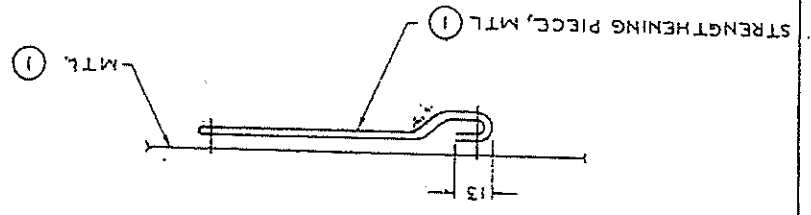
CAT No A3/8340-000017

FLY

ENLARGEMENT AT 'X'



SECTION A A



NOTE:-  
ALL STITCHINGS WITH MTL 11

SCALE:-1:25  
DIMENSIONS IN MILLIMETRES

TRACED FROM EXISTING DRG

No IND/TC/0825 (b)  
COMP  
PSD  
CDM  
APD  
22-6  
TC-4/B1/99

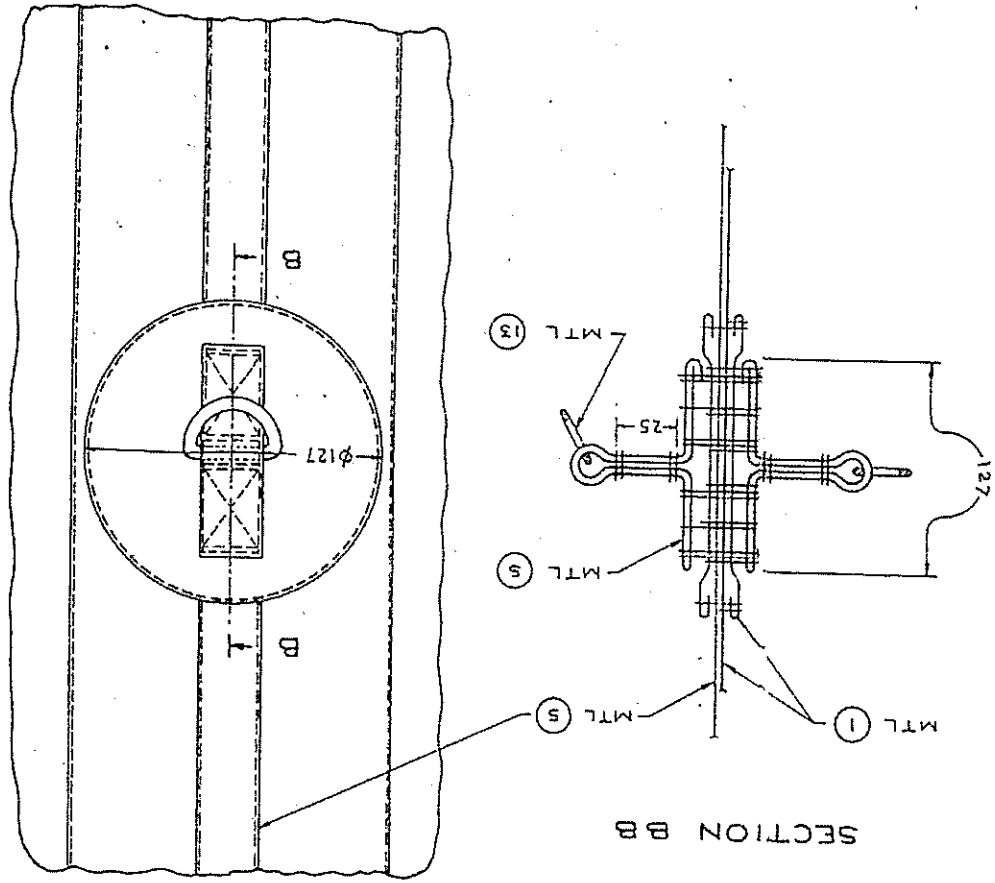
DRG No IND/TC/0825 (b)  
CAT No A3/B340-000017-----TENT, ARCTIC, SMALL, MK-2.

CAT No. A3/B340-000097-----FLY

FLY

ENLARGEMENT AT 'Y'

SECTION BB



NOTE:-  
ALL STITCHINGS WITH MTL (II)

SCALE:-:25 DIMENSIONS IN MILLIMETRES

TRACED FROM EXISTING	DRG No IND/TC/0825 (b)	APD
COMB	PSD	CDM
APD	CDM	CDM

TC-4/B1/99

DRG No. IND/TC/0825 (b)

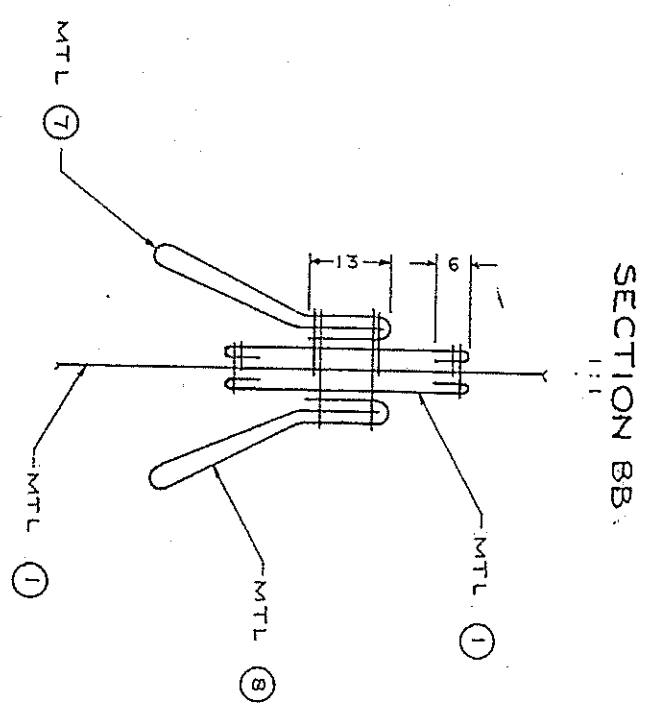
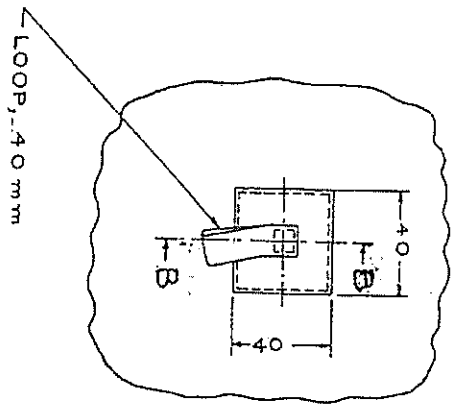
# TENT, ARCTIC, SMALL, MK-2.

SHEET 15 OF 23

CAT No A3/8340-000017----- FLY

FLY

ENLARGEMENT AT 'C'  
1:2.5



NOTE :-

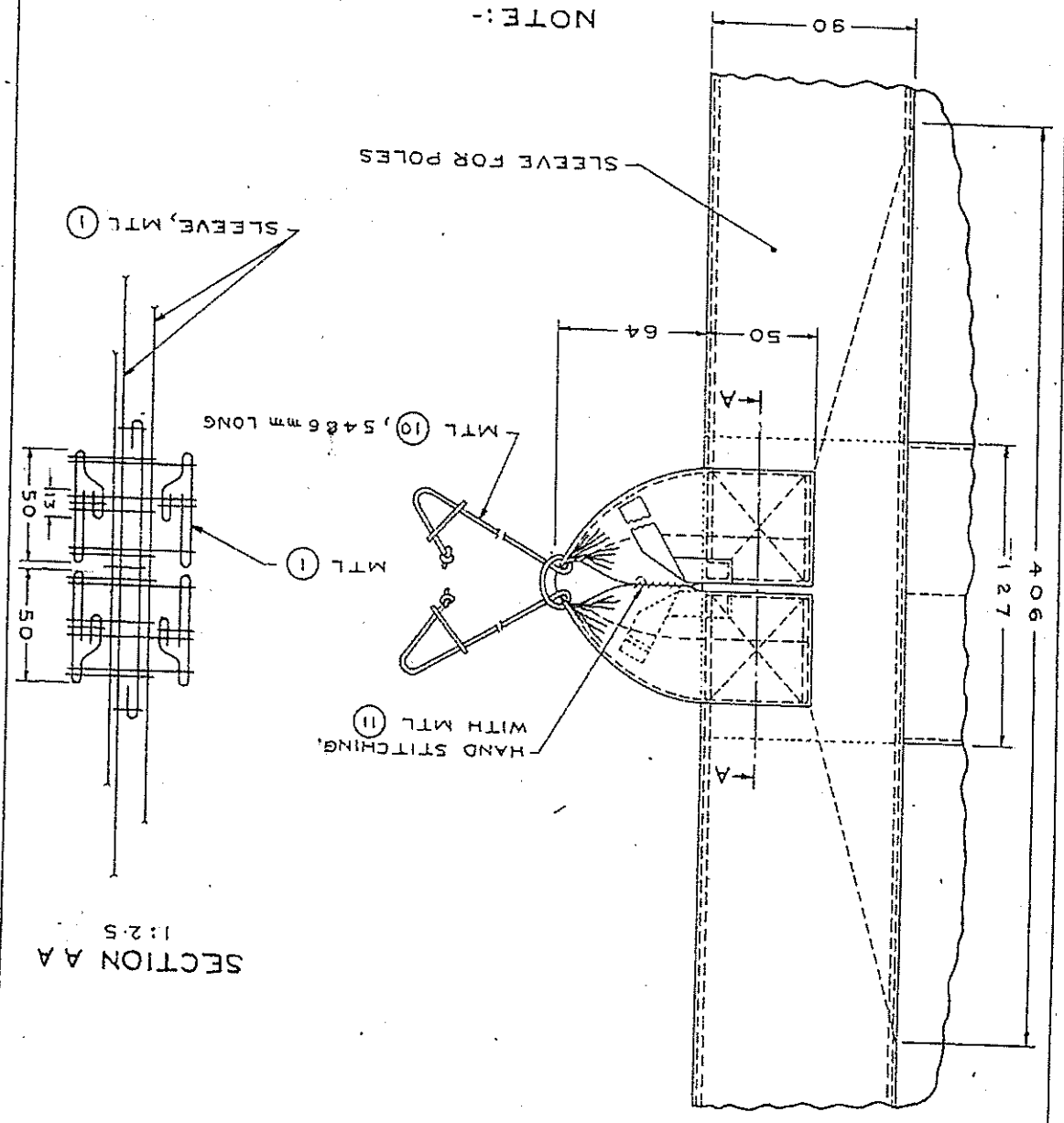
ALL STITCHINGS WITH MTL ⑪

SCALE: 1:2.5 & 1:1	DIMENSIONS IN MILLIMETRES		
TRACED FROM EXISTING	COMP	PSD	APP
DRG No IND/TC/0825 (b)	TC/0825	TC/0825	TC/0825
TC/0825	TC/0825	TC/0825	TC/0825

TC-C

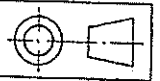
TC-4/81/99

SECTION AA  
1:2.5



NOTE:-  
ALL STITCHINGS WITH MTL ②

SCALE: 2.5  
DIMENSIONS IN MILLIMETRES



TRACED FROM EXISTING  
DRG NO IND/TC/0825 (B)

DRG NO IND/TC/0825 (B)	COMP	PSD	APP
DRG NO IND/TC/0825 (B)	COMP	PSD	APP
DRG NO IND/TC/0825 (B)	COMP	PSD	APP



DRG NO IND/TC/O.25 (b)

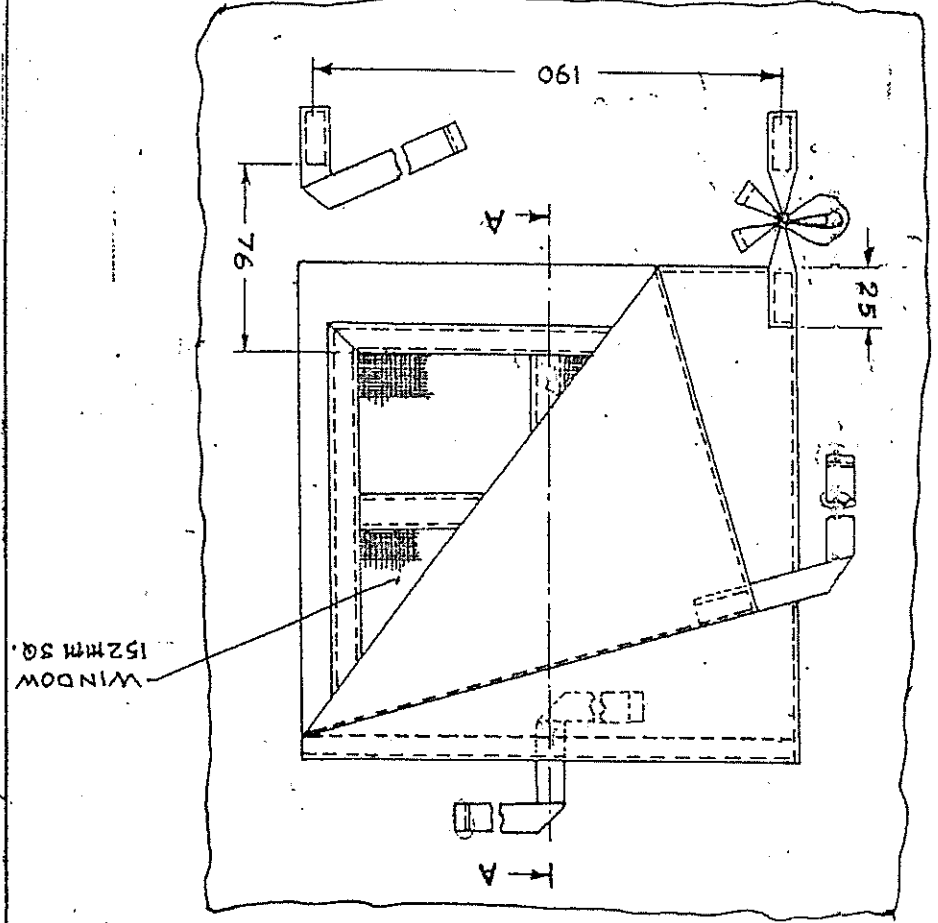
SHEET 17 OF 23

CAT NO A3/8340-000017- TENT, ARCTIC, SMALL, MK-2

CAT NO A3/8340-000097- FLY

FLY

DETAIL OF WINDOW  
1:2.5



NOTE-

- (1) ALL UNDYED TAPES, MTL ⑦ TO BE FITTED ON THE WHITE SIDE AND O.G. TAPES, MTL ③ OR TAPES MADE OF BODY MATERIAL ON THE O.G. SIDE TO MATCH THE SHADE OF THE TENT.
- (2) ALL STITCHINGS WITH MTL ①
- (3) FOR SECTION A-A SEE SHEET NO.

SCALE 1:2.5  
DIMENSIONS IN MILLIMETRES

TRACED FROM EXISTING DRG NO. IND/TC/O.25 (b)	APD. G.O.	PSD CDM	COLP M. J. J.	APL A. J.
---	--------------	------------	------------------	--------------

TC-2 TC-4/31/99

DRG No IND/TC/0825 (b)

CAT. No. A3/8340-000017 **TENT, ARCTIC, SMALL, MK-2.**

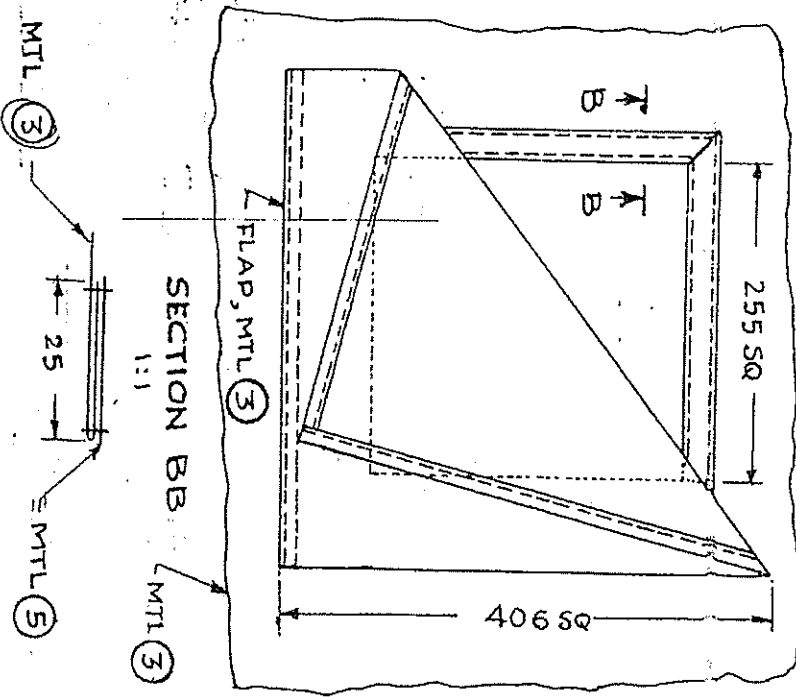
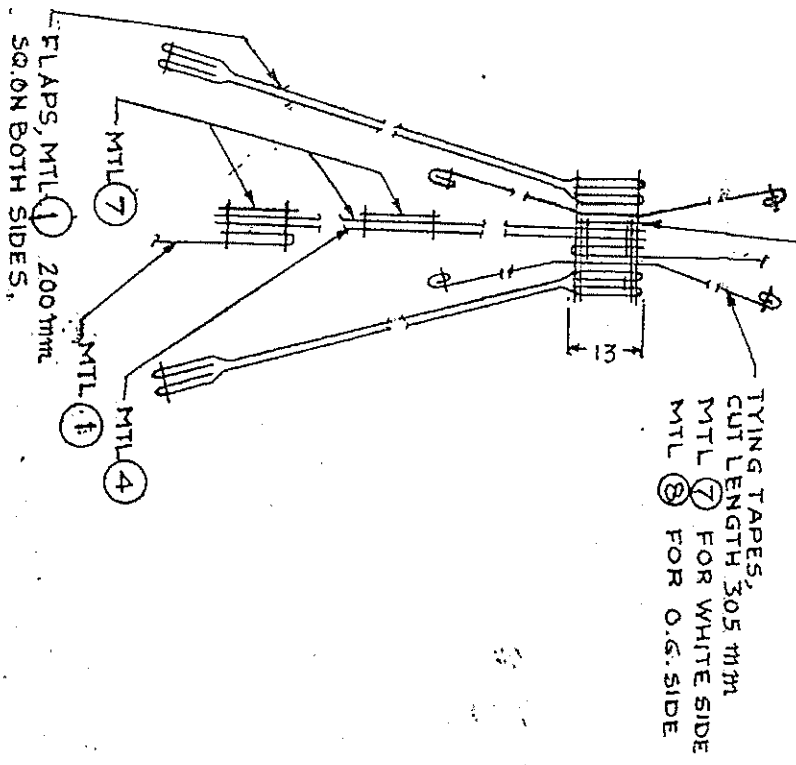
SHEET 18 OF 23

CAT. No. A3/8340-000097

**FLY**

**DETAIL OF OPENING  
AT GROUND SHEET.**

**SECTION AA**  
1:1



SCALE: 1:5	DIMENSIONS IN MILLIMETRES	COMP	PSD	APP
	IRACED FROM EXISTING	20/20	20/20	Cur G.
	DRG. No. IND/TC/0825 (b)	20/20	20/20	Cur G.

TC-4/8/99

DRG. No. IND/TC/0825 (B)

TENT, ARCTIC, SMALL, MK-2

SHEET 19 OF 23

CAT. No. A3/8340-000017- LINER, INNER

CAT. No. A3/8340-000098- LINER, INNER

FRONT VIEW

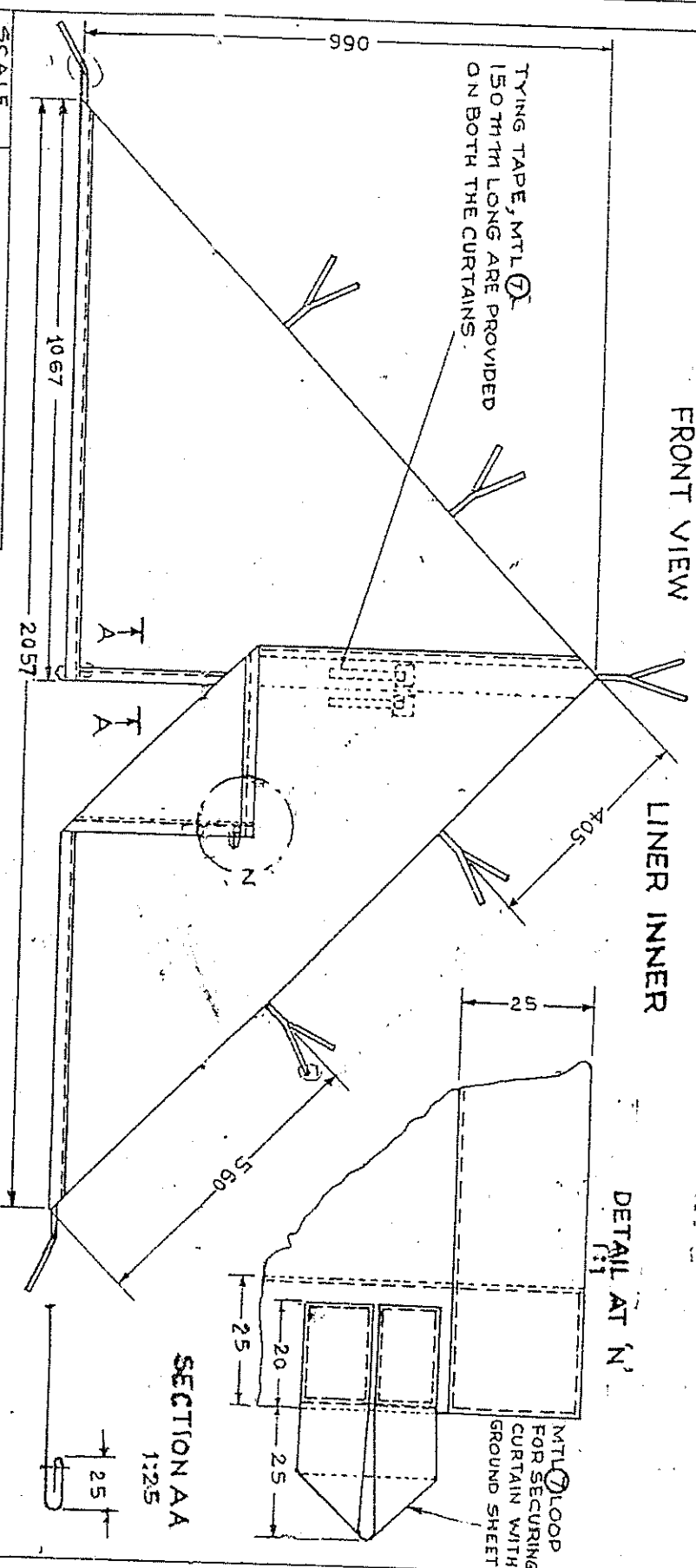
LINER INNER

DETAIL AT 'N'

SECTION AA  
1:25

TYING TAPE, MTL  $\phi$   
150 MM LONG ARE PROVIDED  
ON BOTH THE CURTAINS.

MTL LOOP  
FOR SECURING  
CURTAIN WITH  
GROUND SHEET



SCALE 1:10; 1:25; 1:1

DIMENSIONS IN MILLIMETER RES.

TRACED FROM EXISTING DRG. No. IND/TC/0825 (B)

COMP  
25/1/99  
TC-4/99

PSD  
25/1/99  
CDM

APP  
25/1/99  
TC-6

TC-4/81/99

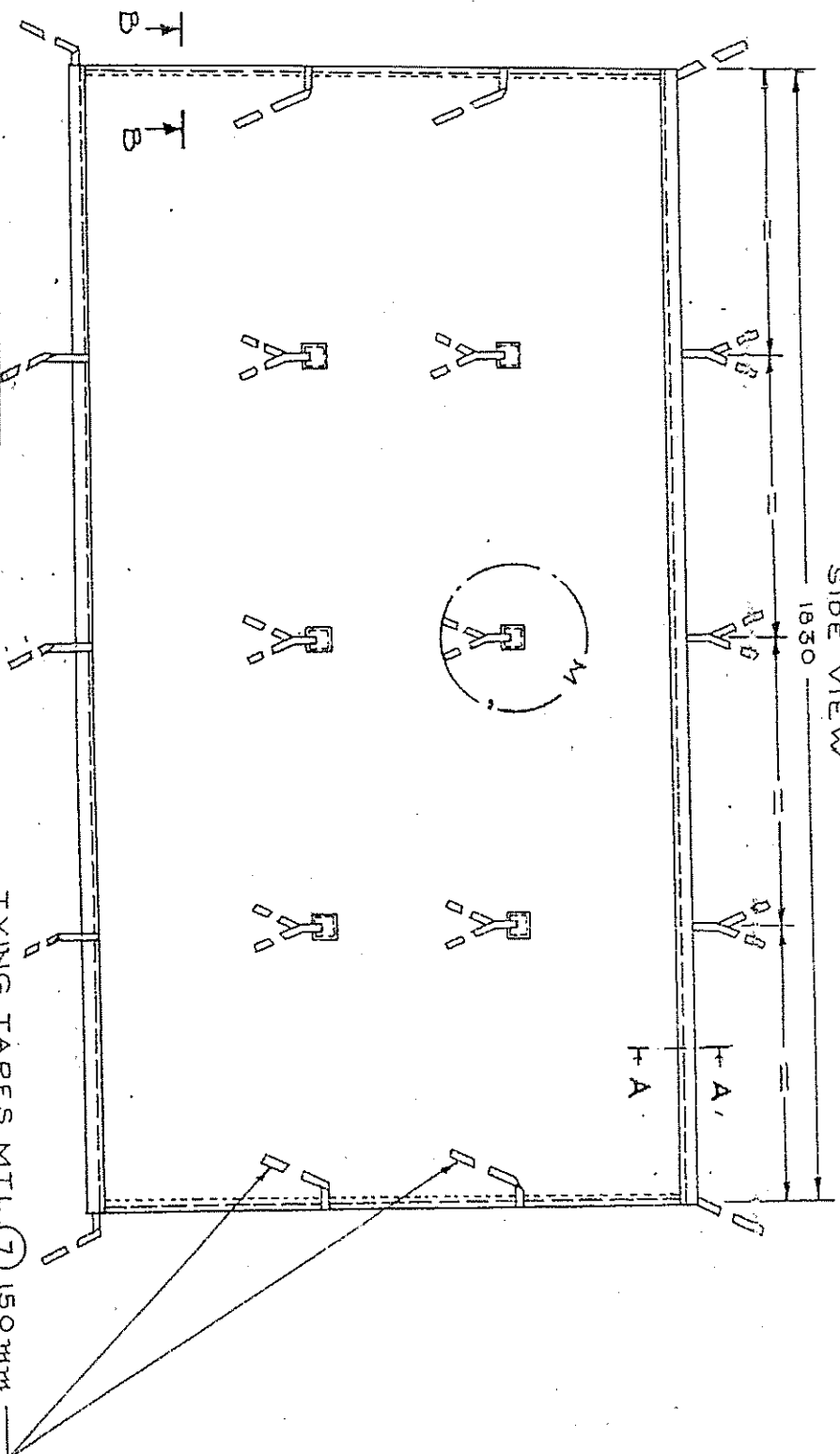
DRG No IND/TC/0825 (b)

CAT. No. A3/8340-000017-----TENT ARCTIC, SMALL, MK-2

SHEET 20 OF 23

CAT. No. A3/8340-000098-----LINER, INNER

LINER INNER  
SIDE VIEW



SCALE: 1:10 DIMENSIONS IN MILLIMETRES

TCD FROM EXISTING DRG.  
No. IND/TC/0825 (b) BY:--  
302.81.248

COMP.  
28.11.99

PSD.  
29.1.99  
CDM

APP.  
G.D. 28

TC-1

NOTE: FOR SECTION AA, BB & DETAIL AT 'M' SEE SHEET No 21

TYING TAPES, MTL. (7) 150mm  
LONG ARE PROVIDED FOR SECURING  
WITH THE OUTER FLY.

TC-A/81/99

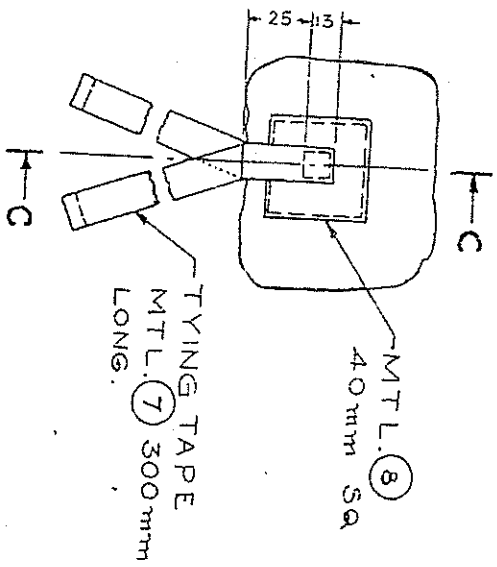
DRG No IND/TC/0825 (b)

SHEET 21 OF 23

CAT. No. A3 / 8340 - 000017  
 CAT. No. A3 / 8340 - 000098  
**TENT ARCTIC, SMALL, MK-2**  
 LINER, INNER  
 LINER, INNER  
 SIDE VIEW

DETAIL AT 'M'

1:25



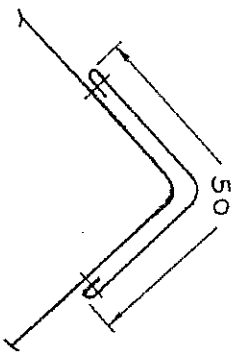
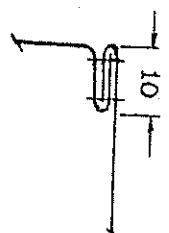
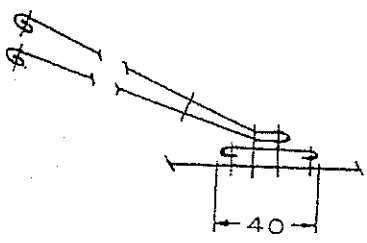
SECTION CC

SECTION BB

SECTION AA

1:1

1:1



SCALE: 1:25, 1:1

DIMENSIONS IN MILLIMETRES

TCD FROM EXISTING DRG. No. IND/TC/0825 (b)  
 BY: - 3/2.8/21/8

COMP  
 3/2.8/21/8

PSD  
 3/2.8/21/8  
 CDM

APD

69

TC-4/81/99

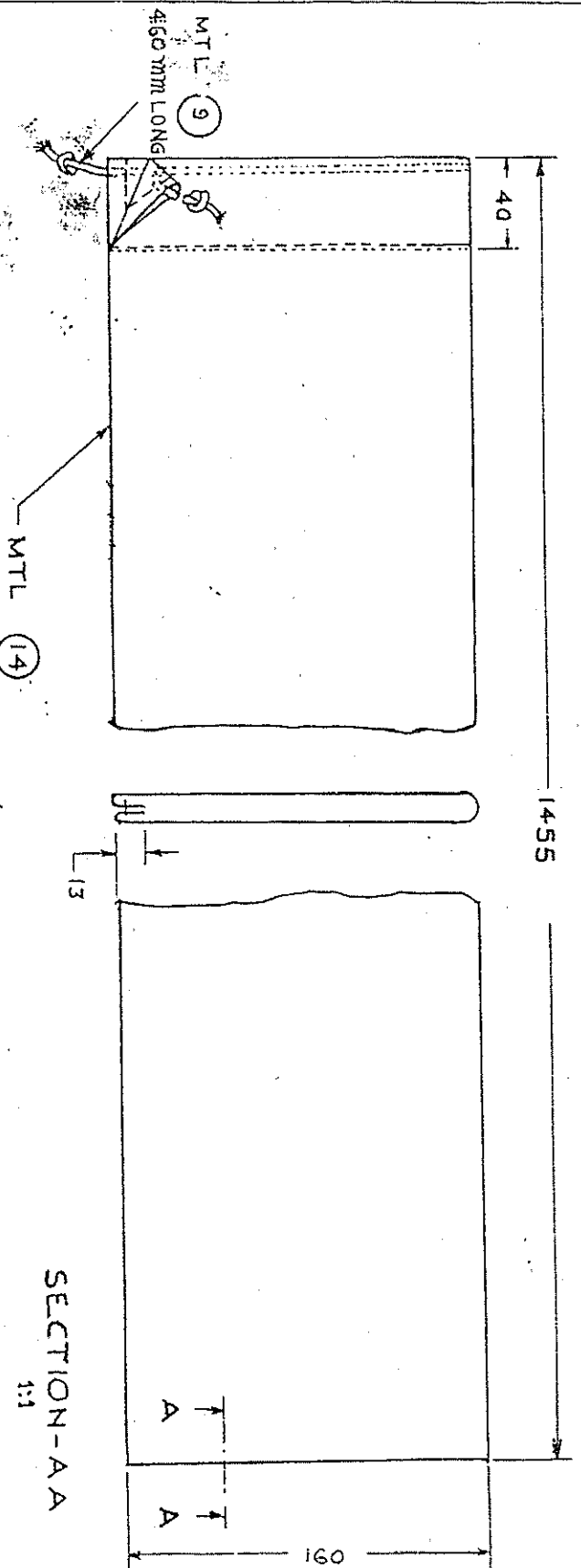
DRG No IND/TC/0825 (b)

SHEET 22 OF 23

# CAT. No A3/8340-000017 TENT, ARCTIC, SMALL, MK-2

CAT. No. A3/8340 - 000096 BAG POLES

BAG POLES



SECTION-A-A

1:1



SCALE: 1:2.5	DIMENSIONS IN MILLIMETRES	COMP: 5/5 of 5 T	P.S.D: 1971-81	APP: 60
IND/TC/0825(b) BY: 0	TRACED FROM PROV DRG No. 0	5/5 of 5 T	1971-81	60

TC-4/81/99

# CAT. No. A3/SPT-3-CONCRETE TENTS, AIRFIELD, MW-2.

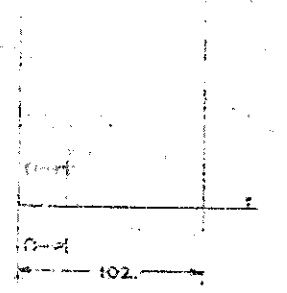
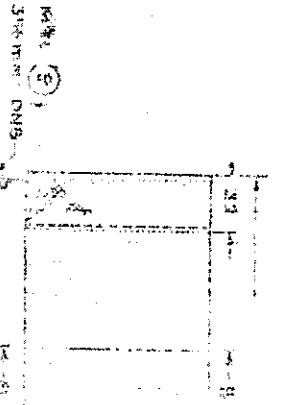
CAT. No. A3/SPT-3-CONCRETE TENTS, AIRFIELD, MW-2.  
 CAT. No. A3/8460-4-PORTABLE TENT, FLY  
 CAT. No. A3/8460-4-PORTABLE TENT, LINER, INNER  
 CAT. No. A2/8540-4-PORTABLE TENT, BAG, POLES  
 CAT. No. A3/8540-4-PORTABLE TENT, P.A.S., PHS  
 BAG PILES



T  
A  
T

SECTION  
1-1

MTL (9)  
ASO WITH OMB



SCALE: 1/2" = 1'-0"  
 DIMENSIONS IN METERS  
 BASED ON PROVISIONAL DRAWING  
 CTR & CTR 5/1/11

SECTION  
1-1