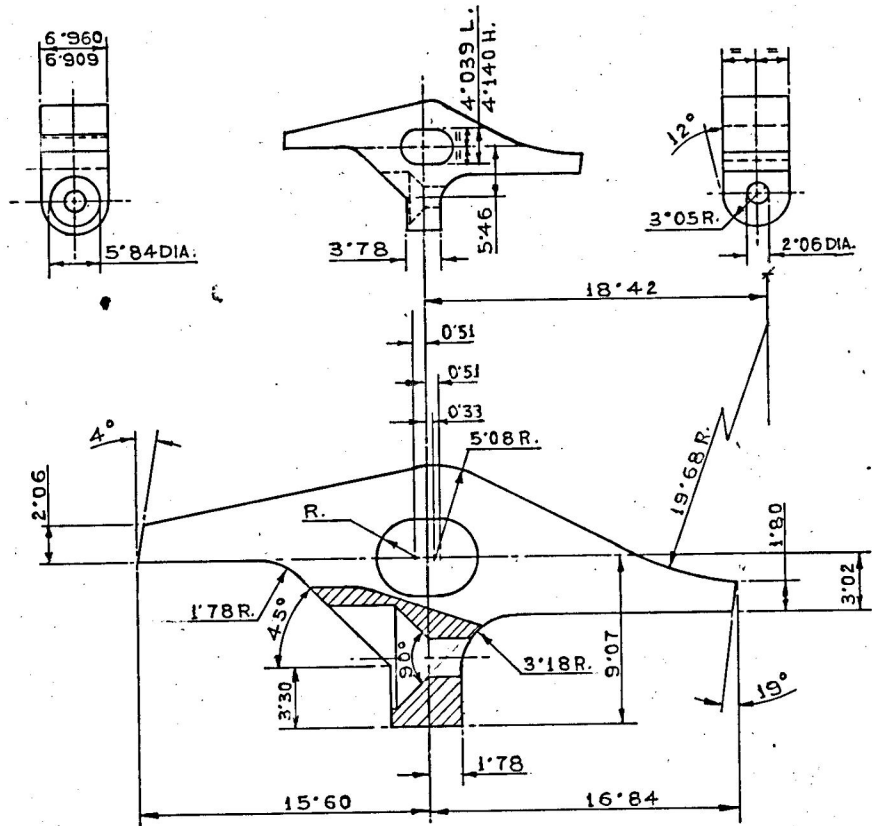


089100-5007 1005-001880

D.S. CAT. 127

DIMNS. ARE IN mm.



NOTES:-

- ACCEPTANCE STANDARDS FOR MACRO ETCH TEST AND MICROSCOPIC DETERMINATION OF NON-METALLIC INCLUSIONS FOR STEEL.
- I) MACRO ETCH TEST AS PER ASTM E 381 WITH ACCEPTANCE STANDARD AS C2, R2, S2.
- II) NMR TEST AS PER IS: 4163-82.

EXPLANATION OF DETAILS WHEREVER NOT SPECIFIED REFER D.D. NOTE SHEET NO.3 (LATEST ISSUE).

METRIC

22786-SA		2-1-95	NEG. RETRACED AND DRG. RE-SEALED.	SA	JSD	DT. 2.1.95	1/2; D.C.	1/2; TECH. DIV.	GAUGE SCH.	SCALE	1005-001880, 1005-001895, 1005-001896.
AUTHY. DATE		ZONE	BRIEF RECORD	COPY	GO	MATERIAL		STEEL BS 970 PT. 5: 1972 070 A72 OR 070 A78.	D.C.L.	DGNR'S	ARDE-657/54
SEALED:-		D.C. 15019-SA, DT. 9.2.77		SIGN.		HT./HARDNESS		575-650 HV. (66-69 HRD).	EST. MASS.	REF.	DET. SMTS/SWT.
NOMENCLATURE		SEAR				SURFACE FINISH		PHOSPHATE TO SPECN. J55 0465-01:1988		AHSP.	CONSA)ICMPUR
						PROTECTIVE FINISH.		CLASS-1, OIL FINISH.		D.S. CAT. NO.	1005-001880