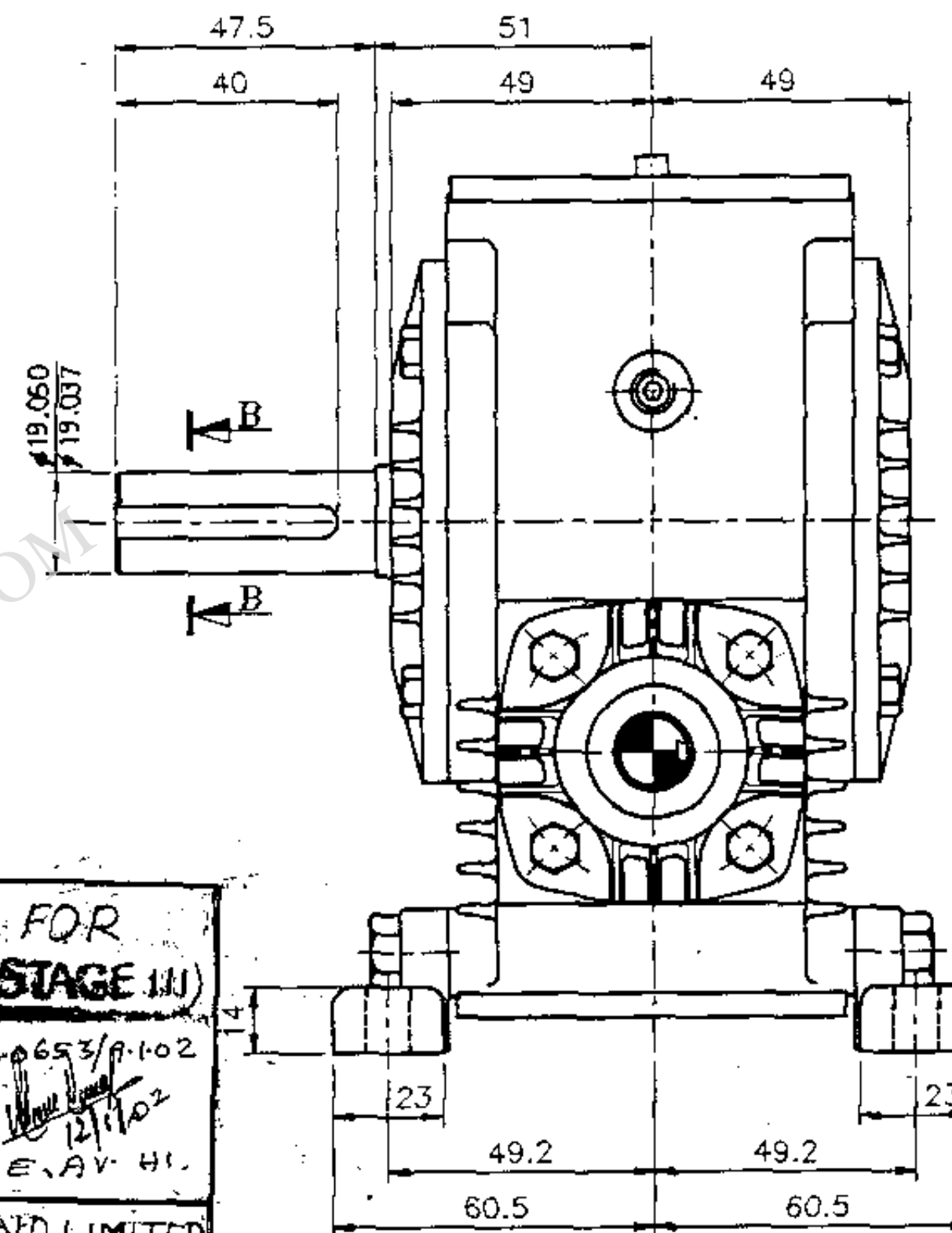
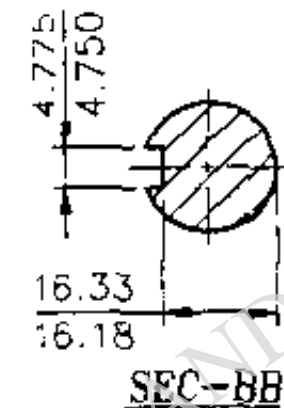
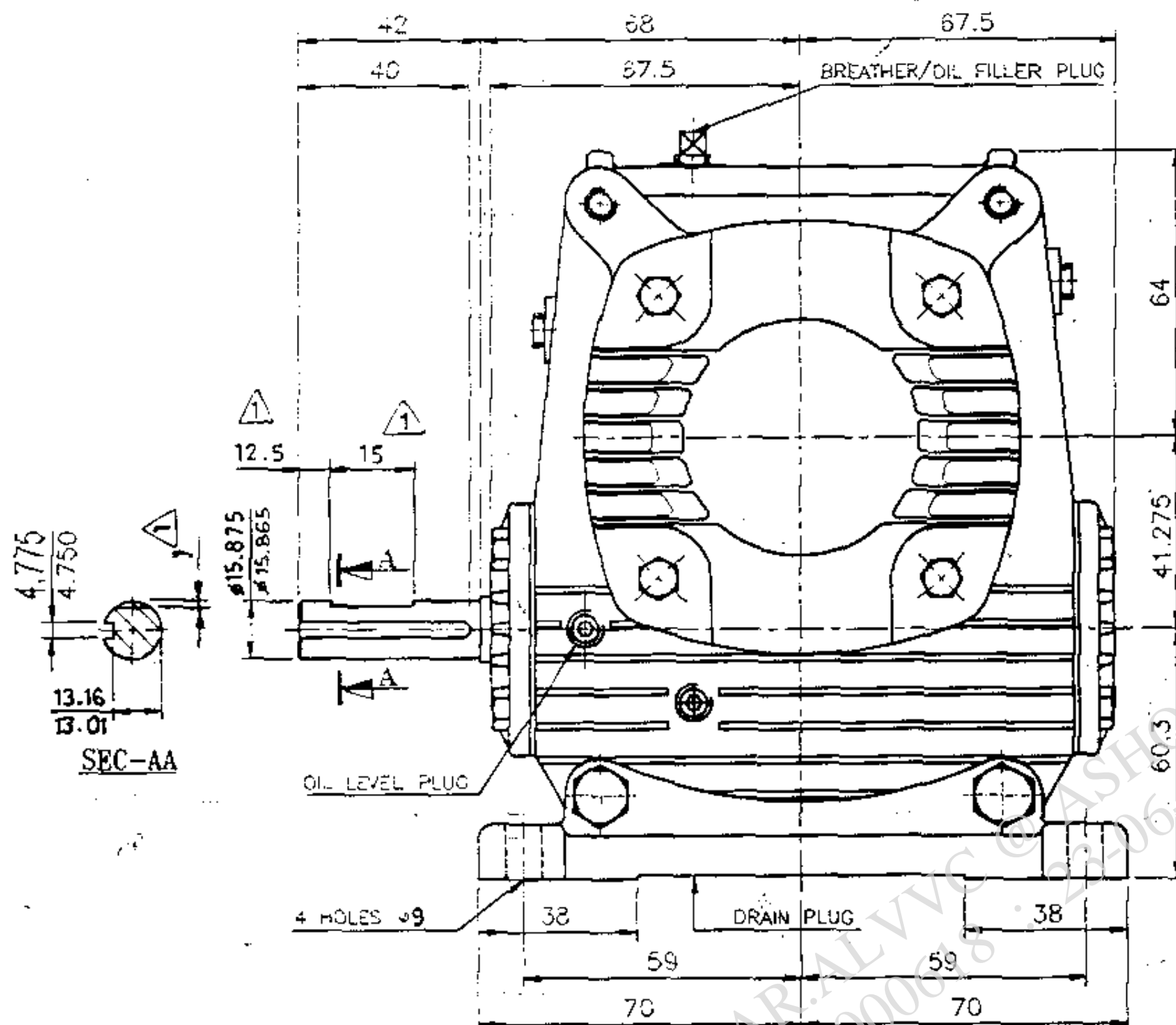


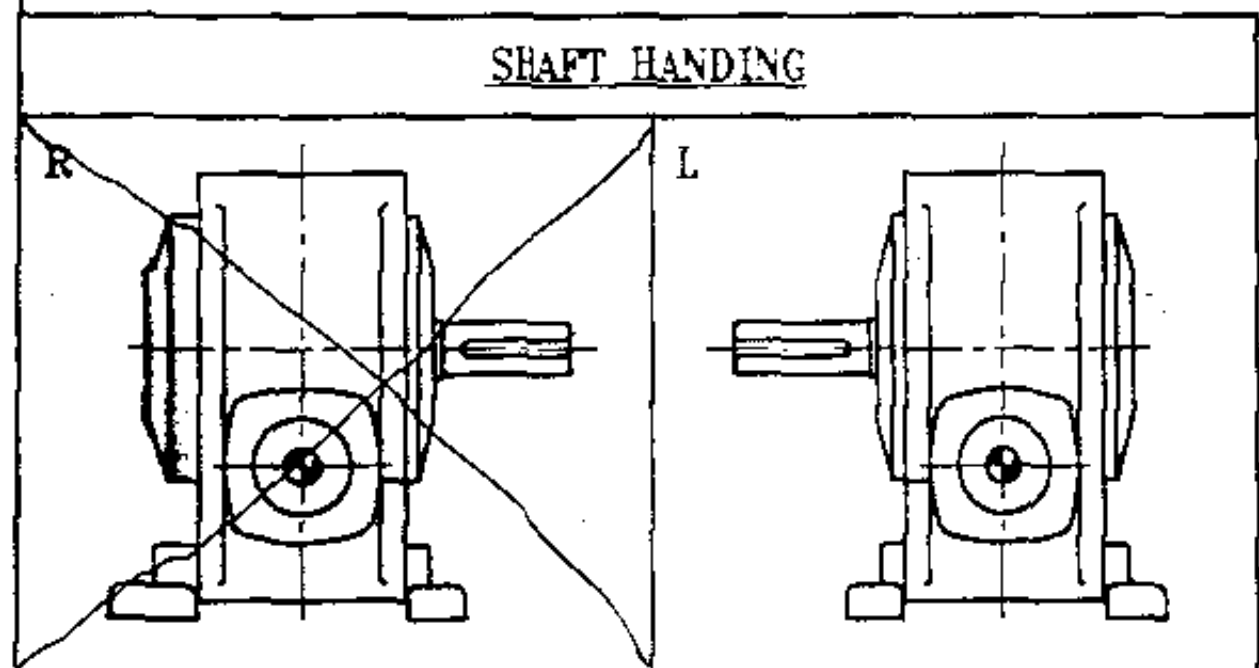
CHAMFER ALL EDGES 1x45°. DO NOT SCALE. IF IN DOUBT ASK. GENERAL TOLERANCE AS PER IS:2102 (PART 1) MEDIUM CLASS. ALL DIMENSIONS ARE IN MM UNLESS OTHERWISE STATED.



APPROVED FOR PRODUCTION (STAGE III)
 H.P. NO. / DATE: H-0653/A-102
 APPROVED BY: [Signature]
 DATE: 12/11/02
 CE. AV. HI.
 ASHOK LEYLAND LIMITED

REF. CUSTOMER DRG. No. _____
 RATIO : 20:1

REDUCTION GEAR BOX
 ALL PT NO - X3917700



REF X7801500

AL DRG IN A4 SIZE REPLACED BY THIS SUPPLIER DRG DIN	No.	OFF	MATERIAL	STOCK SIZE	ASSY.DRG.No.
	DIMENSIONS ADDED - [Signature]				
	A.No.	ALTERATION	ZONE	BY	DATE
	SCALE TYPE: SAU - 162 (SPL) TITLE: PRINCIPAL DIMENSIONS				
DRN. P. Shaanyalakshmi 16.12.97 CHD. [Signature] APPD. [Signature]		DRG. No. CD - 1707 - 3			REV. 1
SHANTHI GEAR LTD. COIMBATORE - 641 005					